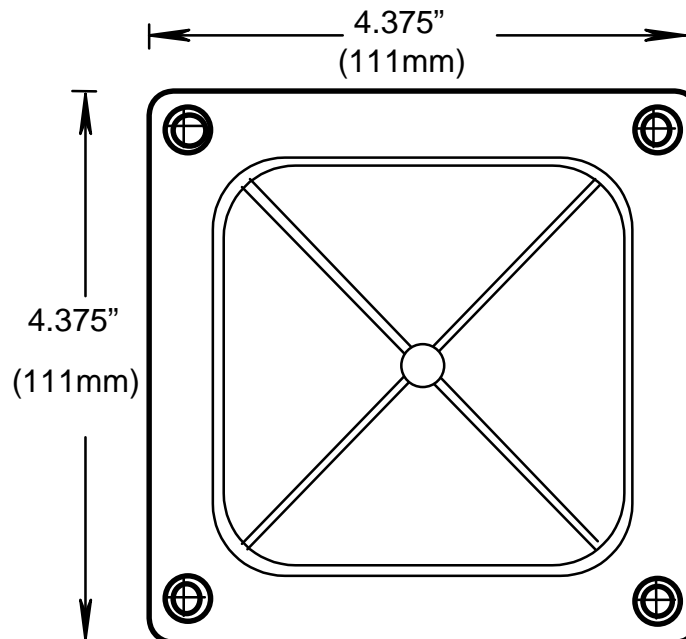


PRODUCT CODE	PART NUMBER	NOMINAL SIZE		A		B		D		E	
		(in)	(mm)	(in)	(mm)	(in)	(mm)	(in)	(mm)	(in)	(mm)
078242	JB 442	4	103	4.000	102	4.375	111	2.200	56	2.020	51
178130	JB 442	4	103	4.000	102	4.375	111	2.200	56	2.020	51

PRODUCT CODE	PART NUMBER	NOMINAL SIZE		GASKET CODE	SCREW CODE	VOLUME	
		(in)	(mm)			(cu. in)	(cu. cm)
078242	JB 442	4	103	072491	072564 (4)	24	393
178130	JB 442	4	103	072491	072564 (4)	24	393

COVER DIMENSIONS



Filename: KRALOY-23.doc
Directory: \\Bersrvbdc\bergen\QC MANUAL
Template: C:\Documents and Settings\joelau\Application
Data\Microsoft\Templates\Normal.dot
Title: SOCKET DIMENSION
Subject:
Author: joe lau
Keywords:
Comments:
Creation Date: 1/2/2001 10:17 AM
Change Number: 7
Last Saved On: 4/14/2004 3:59 PM
Last Saved By: Joe Lau
Total Editing Time: 11 Minutes
Last Printed On: 8/8/2005 12:35 PM
As of Last Complete Printing
Number of Pages: 1
Number of Words: 68 (approx.)
Number of Characters: 394 (approx.)