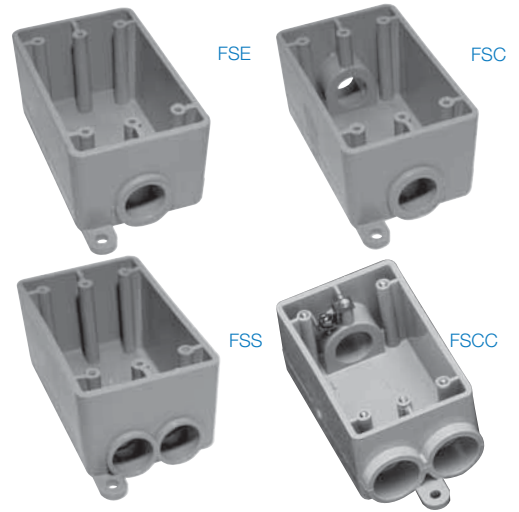


BOXES

BOXES

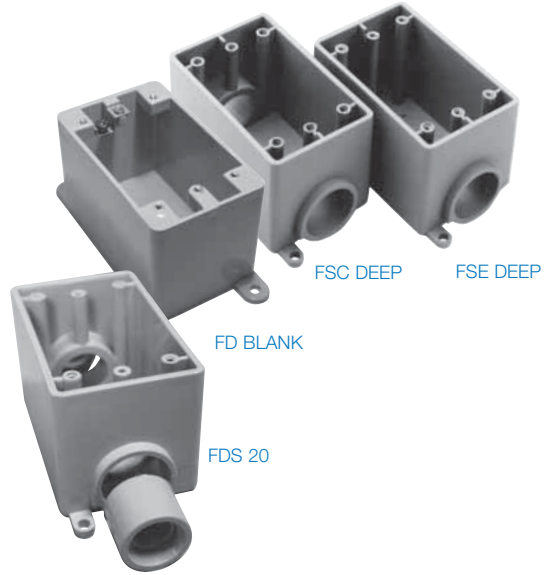
F-Series Single Gang Boxes

Size (in.)	Part Number	Cubic Inch Capacity	Product Code	L (in.)	W (in.)	D (in.)
1/2	FSE05	17.5	078229	4.58	2.82	2.0
3/4	FSE07	17.5	078230	4.58	2.82	2.0
1/2	FSC05	17.0	078226	4.58	2.82	2.0
3/4	FSC07	17.0	078227	4.58	2.82	2.0
1/2	FSS05	17.0	078232	4.58	2.82	2.0
3/4	FSS07	17.0	078233	4.58	2.82	2.0
1/2	FSCC05	16.3	078235	4.65	2.85	2.0
3/4	FSCC07	16.3	078236	4.65	2.85	2.0



F-Series Single Gang Deep Boxes

Size (in.)	Part Number	Cubic Inch Capacity	Product Code	L (in.)	W (in.)	D (in.)
1/2, 3/4, 1	FSCD050710	26.0	278051	4.58	2.82	2.76
1/2, 3/4, 1	FSED050710	26.8	278050	4.58	2.82	2.76
BLANK	FD	29.0	078215	4.54	2.79	2.91



new

F-Series Single Gang Deep Boxes for use with Self-taping, stainless steel screws

1/2, 3/4, 1	FDS 20	26.8	077847	4.58	2.82	2.76
1/2, 3/4, 1	FDC 20	26.0	077849	4.58	2.82	2.76

Screws are not included

F-Series Double Gang Boxes

Size (in.)	Part Number	Cubic Inch Capacity	Product Code	H (in.)	W (in.)	E (in.)
1/2, 3/4, 1	FSE-2-050710-U	38.5	278082	4.62	4.62	2.5
1/2, 3/4, 1	FSS-2-050710-U	37.0	278087	4.62	4.62	2.5
1/2, 3/4, 1	FSC-2-050710-U	37.0	278083	4.62	4.62	2.5
1/2, 3/4, 1	FSCC-2-050710-U	35.0	278084	4.62	4.62	2.5
BLANK	FD-2-U	47.5	278038	4.75	4.75	3.0

