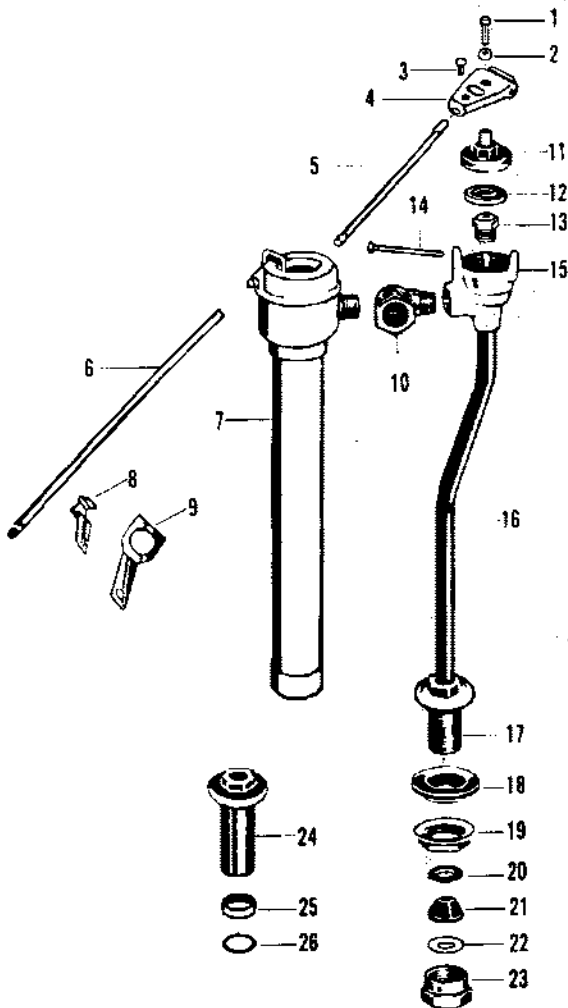
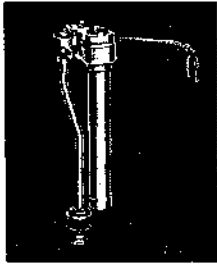


# KISSLER & CO., INC.

## AMERICAN-STANDARD Plumbing Fittings Replacement Parts

### TOILET Tank Water Control — 3131 and 3137 series

Part Nos. 47130-07, 47131-07, 47132-07, 47133-07, 47134-07



Item No.	Part No.	Description
1.	73255.05	Screw
2.	73016.05	Nut
3.	73017.05	Screw
4.	73019.09	Pivot arm
5.	73014.07	Float rod—11" long
	73021.07	Float rod—8½" long
6.	73023.07	Refill tube—8½" long
	73025.07	Refill tube—11" long
	73455.07	Refill tube—6" long
	73022.07	Refill tube—7" long
7.	73040.07	Back flow preventor S/A 8¼" long
	73035.07	Back flow preventor S/A 9¼" long
	73036.07	Back flow preventor S/A 9½" long
	73039.07	Back flow preventor S/A 9¾" long
	73037.07	Back flow preventor S/A 10¼" long
	73424.07	Back flow preventor S/A 8¾" long
8.	73027.07	Tube clip
9.	73026.07	Tube guide
10.	73049.07	Elbow
11.	70422.07	Cap and plunger S/A
12.	73070.07	Seat
13.	73002.07	Seat
14.	73018.07	Pivot pin
15.	73001.07*	Body
16.	73007.07*	Shank extension
17.	32994.07*	Shank
18.	1028.07	Washer
19.	24401.07	Locknut
20.	125.07	Washer
21.	411.37	Washer
22.	73030.07	Friction ring
23.	226.47	Coupling nut
24.	32978.07	Shank—2½" long
25.	117.07	Washer
26.	359.07	Friction washer

\*Not available as repair part

12971.09 Repair kit consisting of parts 11, 12 & 13

Order by part number