

QUICK REFERENCE GUIDE

CONSTANT CURRENT LED DRIVERS (continued)

Wattage Family	Output Current Range	Catalog Number	Input Voltage	Power Factor	Dimming
100W	500-3200mA	KTLD-100-UV-xxx-67-AP4	120-277V	>0.9	N/A
	530-3200mA	KTLD-100-UV-xxx-L5	120-277V	>0.9	N/A
	530-3200mA	KTLD-100-UV-xxx-VDIM-67-AP4	120-277V	>0.9	0-10V
	500-3200mA	KTLD-100-UV-xxx-VDIM-L5	120-277V	>0.9	0-10V
	1580-2240mA	KTLD-100-UV-xxx-VDIM-W3	120-277V	>0.9	0-10V
	460-1000mA (4 Channel)	KTLD-100-UV-4xxx-VDIM-L18	120-277V	>0.9	0-10V
150W	530-2500mA	KTLD-150-UV-xxx-AU1	120-277V	>0.9	N/A
150W	530-1600mA	KTLD-150-UV-xxx-67-AP3	120-277V	>0.9	N/A
	530-2500mA	KTLD-150-UV-xxx-VDIM-AU1	120-277V	>0.9	0-10V
	530-2500mA	KTLD-150-UV-xxx-VDIM-67-AP3	120-277V	>0.9	0-10V
200W	700-1400mA	KTLD-200-UV-xxx-67-AP5	120-277V	>0.9	N/A
	700-1400mA	KTLD-200-UV-xxx-VDIM-67-AP5	120-277V	>0.9	0-10V
400W	2000mA	KTLD-400-UV-2000-67-AP7	120-277V	>0.9	0-10V

*"xxx" in the part number is a placeholder for the output current value. For example, KTLD-12-1-350-FDIM-AFI has an output current of 350mA.

CONSTANT VOLTAGE LED DRIVERS

Family	Keystone Part Number	Input Voltage	Output Voltage	Max. Output Power	Case Style
24W	KTLD-24-UV-12V-AK1	120-277V	12Vdc	24W	AK1
	KTLD-24-UV-24V-AK1	120-277V	24Vdc	24W	AK1
60W	KTLD-60-1-12V	120V	12Vdc	60W	L5
	KTLD-60-1-24V	120V	24Vdc	60W	L5
	KTLD-60-1N-12V-L2	120V	12Vdc	60W	L2
	KTLD-60-UV-12V	120-277V	12Vdc	60W	L5
	KTLD-60-UV-24V	120-277V	24Vdc	60W	L5
	KTLD-60-UV-24V-67-AP4	120-277V	24Vdc	60W	AP4
	KTLD-60-UV-24V	120-277V	24Vdc	60W	L5
100W	KTLD-100-UV-24V	120-277V	24Vdc	100W	L5
120W	KTLD-120-UV-12V-L10	120-277V	24Vdc	120W	L10

ELECTRONIC BALLASTS

Category	Primary Lamp Type	No. of Lamps	Input Volts	Catalog Number	Description
T12	F20T12	1	120V	KTEB-120-1-TP	F20T12, Normal Power Factor
				KTEB-120-1-TP-EMI	F20T12, FCC Class B, Normal Power Factor
	F40T12	1	120V	KTEB-220-1-TP-EMI	F20T12, FCC Class B, Normal Power Factor
				KTEB-140-1-TP-EMI	F40T12, FCC Class B, Normal Power Factor
		2	120V	KTEB-240-1-TP-PIC	F40T12, F40T12ES, and F34T12, High Power Factor
				120-277V	KTEB-240-UV-TP-PIC
	F96T12	1 or 2	120V	KTEB-275-1-TP-PIC-SL	F96T12 and F96T12ES
				120-277V	KTEB-275-UV-TP-PIC
		1 or 2	120-277V	KTEB-275-UV-TP-PIC-SL	F48/72/96 T12
	F96T12HO	1 or 2	120V	KTEB-2110-1-TP-PIC	F96T12HO and F96T12HOES
120-277V				KTEB-2110-UV-TP-PIC	F96T12HO and F96T12HOES
T8 Instant Start High Efficiency	F32T8	2	120-277V	KTEB-232-UV-IS-N-P	F17/25/32 T8, Standard Output
				KTEB-232-UV-IS-L-P	F17/25/32 T8, Reduced Output
				KTEB-232-UV-IS-H-P	F17/25/32 T8, High Output
		3	120-277V	KTEB-332-UV-IS-N-P	F17/25/32 T8, Standard Output
				KTEB-332-UV-IS-L-P	F17/25/32 T8, Reduced Output
				KTEB-332-UV-IS-H-P	F17/25/32 T8, High Output
	4	120V	KTEB-432-1-IS-N-P	F17/25/32 T8, Standard Output	
			120-277V	KTEB-432-UV-IS-N-P	F17/25/32 T8, Standard Output
4	120-277V	KTEB-432-UV-IS-L-P	F17/25/32 T8, Reduced Output		
		KTEB-432-UV-IS-H-P	F17/25/32 T8, High Output		

Specifications subject to change without notice. For complete product specifications, visit www.keystonetech.com

FLUORESCENT BALLASTS

T12



ELECTRICAL SPECIFICATIONS

No. of Lamps	Input Power	Catalog Number	Input Volts	Starting Method	Line Current	Min. Power Factor	Max. THD	Ballast Factor	Min. Start Temperature	Max. Case Temperature	Case Style
F14T12											
1	16W	CC1322MTP*	120V	Preheat	0.33A	0.40	15%	0.80	0°C/32°F	90°C/194°F	B2
	15W	KTEB-120-1-TP	120V	Rapid	0.24A	0.50	150%	1.00	-18°C/0°F	75°C/167°F	X1
		KTEB-120-1-TP-EMI	120V	Rapid	0.24A	0.50	150%	1.00	-18°C/0°F	75°C/167°F	L7
2	27W	KTEB-220-1-TP-EMI	120V	Rapid	0.42A	0.50	150%	0.85	-18°C/0°F	75°C/167°F	L7
F15T12											
1	17W	CC1322MTP*	120V	Preheat	0.32A	0.45	15%	0.85	0°C/32°F	90°C/194°F	B2
	14W	KTEB-125-1-TP-FC	120V	Rapid	0.21A	0.52	160%	0.82	-18°C/0°F	75°C/167°F	V2
		KTEB-132-1-TP-FC	120V	Rapid	0.21A	0.52	160%	0.82	-18°C/0°F	75°C/167°F	V2
	17W	KTEB-120-1-TP	120V	Rapid	0.26A	0.50	150%	1.00	-18°C/0°F	75°C/167°F	X1
KTEB-120-1-TP-EMI		120V	Rapid	0.26A	0.50	150%	1.00	-18°C/0°F	75°C/167°F	L7	
2	36W	KTEB-220-1-TP-EMI	120V	Rapid	0.52A	0.50	150%	1.02	-18°C/0°F	75°C/167°F	L7
F20T12											
1	17W	CC1322MTP*	120V	Preheat	0.24A	0.60	15%	0.65	0°C/32°F	90°C/194°F	B2
	18W	KTEB-120-1-TP	120V	Rapid	0.27A	0.50	150%	0.90	-18°C/0°F	75°C/167°F	X1
		KTEB-120-1-TP-EMI	120V	Rapid	0.27A	0.50	150%	0.90	-18°C/0°F	75°C/167°F	L7
	17W	KTEB-125-1-TP-FC	120V	Rapid	0.26A	0.52	160%	0.90	-18°C/0°F	75°C/167°F	V2
		KTEB-132-1-TP-FC	120V	Rapid	0.26A	0.52	160%	0.90	-18°C/0°F	75°C/167°F	V2
2	36W	KTEB-220-1-TP-EMI	120V	Rapid	0.52A	0.50	150%	0.87	-18°C/0°F	75°C/167°F	L7
F30T12											
1	21W	KTEB-125-1-TP-FC	120V	Rapid	0.29A	0.52	160%	0.66	-18°C/0°F	75°C/167°F	V2
		KTEB-132-1-TP-FC	120V	Rapid	0.29A	0.50	160%	0.66	-18°C/0°F	75°C/167°F	V2
2	47W	KTEB-240-1-TP	120V	Rapid	0.73A	0.55	150%	0.85	-18°C/0°F	75°C/167°F	L1
	58W	KTEB-240-1-TP-PIC	120V	Rapid	0.49A	0.99	10%	0.88	-18°C/0°F	75°C/167°F	L6
		KTEB-240-UV-TP-PIC	120-277V	Rapid	0.49A-0.22A	0.99	10%	0.88	-18°C/0°F	75°C/167°F	L6
F34T12											
1	24W	KTEB-125-1-TP-FC	120V	Rapid	0.34A	0.52	160%	0.70	-18°C/0°F	75°C/167°F	V2
		KTEB-132-1-TP-FC	120V	Rapid	0.34A	0.52	160%	0.70	-18°C/0°F	75°C/167°F	V2
F40T12											
1	25W	KTEB-125-1-TP-FC	120V	Rapid	0.34A	0.56	160%	0.65	-18°C/0°F	75°C/167°F	V2
		KTEB-132-1-TP-FC	120V	Rapid	0.34A	0.56	160%	0.65	-18°C/0°F	75°C/167°F	V2
2	36W	KTEB-140-1-TP-EMI	120V	Rapid	0.53A	0.50	150%	0.88	-18°C/0°F	75°C/167°F	L7
	58W	KTEB-240-1-TP	120V	Rapid	0.87A	0.50	150%	0.75	-18°C/0°F	75°C/167°F	L1
	74W	KTEB-240-1-TP-PIC	120V	Rapid	0.62A	0.99	10%	0.88	-18°C/0°F	75°C/167°F	L6
		KTEB-240-UV-TP-PIC	120V	Rapid	0.62-0.27A	0.99	10%	0.88	-18°C/0°F	75°C/167°F	L6
F40T12 (34W ENERGY SAVER)											
1	30W	KTEB-140-1-TP-EMI	120V	Rapid	0.45A	0.50	150%	0.88	-18°C/0°F	75°C/167°F	L7
2	48W	KTEB-240-1-TP	120V	Rapid	0.76A	0.50	150%	0.73	-18°C/0°F	75°C/167°F	L1
	63W	KTEB-240-1-TP-PIC	120V	Rapid	0.53A	0.99	10%	0.85	-18°C/0°F	75°C/167°F	L6
	74W	KTEB-240-UV-TP-PIC	120-277V	Rapid	0.62A-0.27A	0.98	10%	0.88	-18°C/0°F	75°C/167°F	L6
F48T12 (40W)											
2	64W	KTEB-275-1-TP-PIC-SL	120V	Instant	0.68A	0.99	12%	0.92	-18°C/0°F	75°C/167°F	L3
		KTEB-275-UV-TP-PIC	120-277V	Instant	0.68-0.30A	0.99	12%	0.92	-18°C/0°F	75°C/167°F	AA1
		KTEB-275-UV-TP-PIC-SL	120-277V	Instant	0.68-0.30A	0.99	12%	0.92	-18°C/0°F	75°C/167°F	L3
F48T12 (30W ENERGY SAVER)											
2	64W	KTEB-275-1-TP-PIC-SL	120V	Instant	0.60A	0.98	12%	0.92	16°C/60°F	75°C/167°F	L3
		KTEB-275-UV-TP-PIC	120-277V	Instant	0.60-0.26A	0.95	12%	0.92	16°C/60°F	75°C/167°F	AA1
		KTEB-275-UV-TP-PIC-SL	120-277V	Instant	0.60-0.26A	0.95	12%	0.92	16°C/60°F	75°C/167°F	L3

*electromagnetic ballast

Specifications subject to change without notice. For complete product specifications, visit www.keystonetech.com



FLUORESCENT BALLASTS

T12

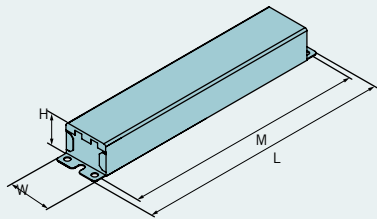
ELECTRICAL SPECIFICATIONS

No. of Lamps	Input Power	Catalog Number	Input Volts	Starting Method	Line Current	Min. Power Factor	Max. THD	Ballast Factor	Min. Start Temperature	Max. Case Temperature	Case Style
F72T12											
1	67W	KTEB-275-1-TP-PIC-SL	120V	Instant	0.60A	0.98	12%	1.05	-18°C/0°F	75°C/167°F	L3
		KTEB-275-UV-TP-PIC	120-277V	Instant	0.60-0.26A	0.95	12%	1.05	-18°C/0°F	75°C/167°F	AA1
		KTEB-275-UV-TP-PIC-SL	120-277V	Instant	0.60-0.26A	0.95	12%	1.05	-18°C/0°F	75°C/167°F	L3
2	107W	KTEB-275-1-TP-PIC-SL	120V	Instant	0.92A	0.98	12%	0.95	-18°C/0°F	75°C/167°F	L3
		KTEB-275-UV-TP-PIC	120-277V	Instant	0.92-0.40A	0.95	12%	0.95	-18°C/0°F	75°C/167°F	AA1
		KTEB-275-UV-TP-PIC-SL	120-277V	Instant	0.92-0.40A	0.95	12%	0.95	-18°C/0°F	75°C/167°F	L3
F96T12											
1	83W	KTEB-275-1-TP-PIC-SL	120V	Instant	0.69A	0.98	12%	1.05	-18°C/0°F	75°C/167°F	L3
		KTEB-275-UV-TP-PIC	120-277V	Instant	0.31-0.69A	0.98	12%	1.05	-18°C/0°F	75°C/167°F	AA1
		KTEB-275-UV-TP-PIC-SL	120-277V	Instant	0.31-0.69A	0.98	12%	1.05	-18°C/0°F	75°C/167°F	L3
2	133W	KTEB-275-1-TP-PIC-SL	120V	Instant	1.15A	0.98	12%	0.86	-18°C/0°F	75°C/167°F	L3
		KTEB-275-UV-TP-PIC	120-277V	Instant	1.15-0.49A	0.98	12%	0.86	-18°C/0°F	75°C/167°F	AA1
		KTEB-275-UV-TP-PIC-SL	120-277V	Instant	1.15-0.49A	0.98	12%	0.86	-18°C/0°F	75°C/167°F	L3
F96T12 (60W ENERGY SAVER)											
1	71W	KTEB-275-1-TP-PIC-SL	120V	Instant	0.60A	0.98	12%	1.12	16°C/60°F	75°C/167°F	L3
	72W	KTEB-275-UV-TP-PIC	120-277V	Instant	0.27-0.60A	0.98	12%	1.12	16°C/60°F	75°C/167°F	AA1
		KTEB-275-UV-TP-PIC-SL	120-277V	Instant	0.27-0.60A	0.98	12%	1.12	16°C/60°F	75°C/167°F	L3
2	115W	KTEB-275-1-TP-PIC-SL	120V	Instant	0.97A	0.98	12%	0.95	16°C/60°F	75°C/167°F	L3
		KTEB-275-UV-TP-PIC	120-277V	Instant	0.97-0.42A	0.98	12%	0.95	16°C/60°F	75°C/167°F	AA1
		KTEB-275-UV-TP-PIC-SL	120-277V	Instant	0.97-0.42A	0.98	12%	0.95	16°C/60°F	75°C/167°F	L3

CASE STYLES

CASE AA

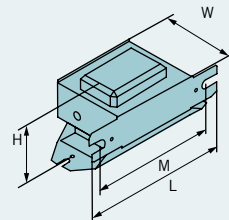
Material: Steel



Case Style	Mounting	Length	Width	Height
AA1	11.00"	11.80"	2.15"	1.61"

CASE B

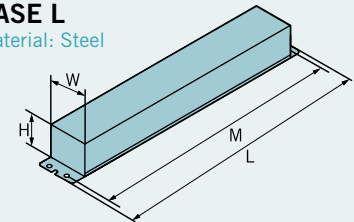
Material: Steel



Case Style	Mounting	Length	Width	Height
B2	2.50"	3.15"	1.14"	1.77"

CASE L

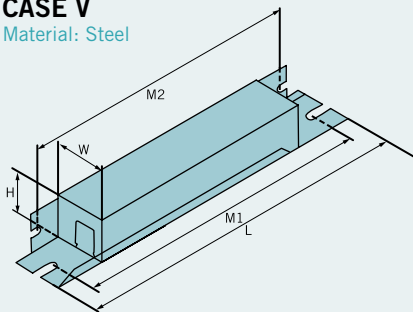
Material: Steel



Case Style	Mounting	Length	Width	Height
L1	6.00"	6.46"	1.89"	1.00"
L3	8.90"	9.45"	1.80"	1.37"
L6	8.90"	9.50"	1.38"	1.18"
L7	6.00"	6.46"	1.37"	1.00"

CASE V

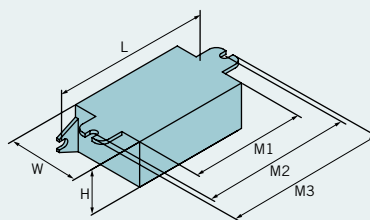
Material: Steel



Case Style	M1	M2	Length	Width	Height
V2	5.63"	5.90"	6.46"	0.92"	0.75"

CASE X

Material: Plastic



Case Style	Mounting	Length	Width	Height
X1	2.80"	3.07"	1.16"	1.00"

Specifications subject to change without notice. For complete product specifications, visit www.keystonetech.com