



PRODUCT FEATURES

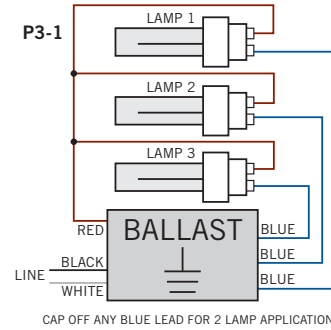
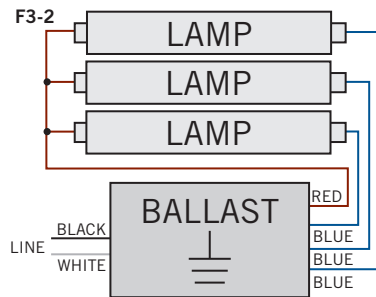
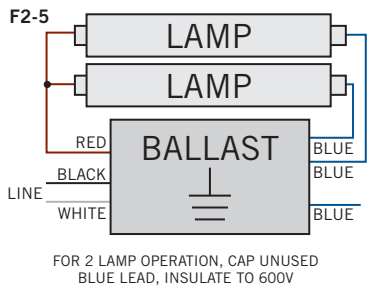
STARTING METHOD: Instant	INPUT VOLTAGE: 120-277VAC ±10%	WARRANTY: 5 Years
LAMP CONNECTION: Parallel	INPUT FREQUENCY: 50/60 Hz	POWER FACTOR: High

- Sound Rated: A
- Minimum Starting Temperature: 0°F, -18°C
- Maximum Case Temperature: 167°F, 75°C
- Meets FCC Part 18 (Class A) Non-Consumer Limits
- Transient Protection Meets ANSI/IEEE62.41 Cat. A
- Ballast frequency for all listed lamps: > 40kHz

ELECTRICAL SPECIFICATIONS

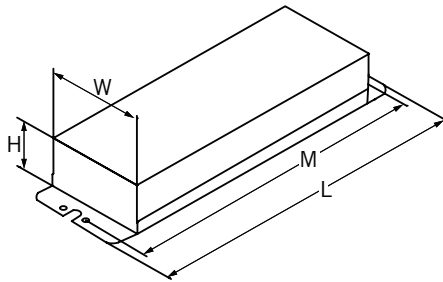
LAMP TYPE	NO. OF LAMPS	INPUT VOLTS	INPUT WATTS	INPUT CURRENT (AMPS)	POWER FACTOR	CREST FACTOR	BALLAST FACTOR	BALLAST EFFICACY FACTOR	MAX THD%	WIRING DIAGRAM
F32T8 32W	3	120	83.0	0.69	0.99	<1.70	0.87	1.05	10	F3-2
		277	81.0	0.29	0.98	<1.70	0.88	1.09	10	F3-2
	2	120	64.0	0.53	0.99	<1.70	1.02	1.59	10	F2-5
		277	63.0	0.23	0.97	<1.70	1.01	1.60	12	F2-5
F32T8 30W	3	120	79.0	0.66	0.99	<1.70	0.87	1.10	10	F3-2
		277	79.0	0.29	0.98	<1.70	0.87	1.10	10	F3-2
	2	120	60.0	0.50	0.99	<1.70	0.98	1.63	10	F2-5
		277	60.0	0.22	0.97	<1.70	0.98	1.63	12	F2-5
F32T8 28W	3	120	76.0	0.63	0.99	<1.70	0.89	1.17	10	F3-2
		277	77.0	0.28	0.97	<1.70	0.89	1.16	12	F3-2
	2	120	57.0	0.48	0.99	<1.70	1.01	1.77	10	F2-5
		277	57.0	0.21	0.96	<1.70	1.01	1.77	12	F2-5
F32T8 25W	3	120	71.0	0.59	0.99	<1.70	0.94	1.32	10	F3-2
		277	72.0	0.26	0.97	<1.70	0.95	1.32	12	F3-2
	2	120	54.0	0.45	0.99	<1.70	1.07	1.98	10	F2-5
		277	54.0	0.20	0.96	<1.70	1.07	1.98	12	F2-5
F25T8 25W	3	120	72.0	0.60	0.99	<1.70	0.95	1.32	10	F3-2
		277	72.0	0.26	0.99	<1.70	0.95	1.32	10	F3-2
	2	120	54.0	0.45	0.99	<1.70	1.07	1.98	10	F2-5
		277	55.0	0.20	0.96	<1.70	1.07	1.95	12	F2-5
F17T8 17W	3	120	47.0	0.39	0.99	<1.70	0.86	1.83	10	F3-2
		277	48.0	0.17	0.95	<1.70	0.88	1.83	15	F3-2
	2	120	37.0	0.31	0.99	<1.70	1.01	2.73	10	F2-5
		277	38.0	0.14	0.93	<1.70	1.03	2.71	15	F2-5
F40T8 40W	2	120	78.0	0.65	0.99	<1.70	0.92	0.92	10	F2-5
		277	77.0	0.28	0.98	<1.70	0.88	0.88	10	F2-5
PLL 25W	3	120	75.0	0.62	0.99	<1.70	0.88	1.17	10	P3-1
		277	75.0	0.27	0.98	<1.70	0.89	1.19	10	P3-1
	2	120	59.0	0.49	0.99	<1.70	1.00	1.69	10	P3-1
		277	59.0	0.22	0.97	<1.70	1.01	1.71	12	P3-1
PLL 28W	3	120	89.0	0.75	0.99	<1.70	0.93	1.04	10	P3-1
		277	89.0	0.32	0.98	<1.70	0.94	1.06	10	P3-1
	2	120	69.0	0.58	0.99	<1.70	1.06	1.54	10	P3-1
		277	70.0	0.25	0.98	<1.70	1.06	1.51	10	P3-1
PLL 40W	2	120	71.0	0.59	0.99	<1.70	0.76	1.07	10	P3-1
		277	71.0	0.26	0.98	<1.70	0.78	1.10	10	P3-1

WIRING DIAGRAMS



Instant Start T8 ballasts require the use of Shunted lampholders/ sockets.

CASE STYLE/DIMENSIONS



CASE DIMENSIONS

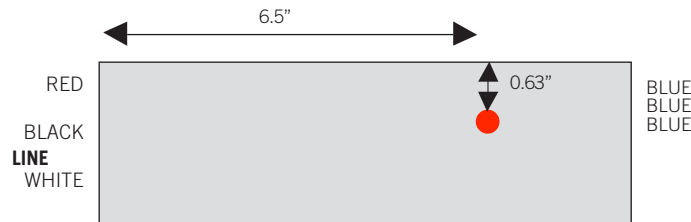
LENGTH: 9.50"
WIDTH: 1.38"
HEIGHT: 1.18"
MOUNTING: 8.90"
UNIT WEIGHT: 1.80 lbs

STANDARD LEAD LENGTHS*

BLACK: 25.00"
WHITE: 25.00"
BLUE: 31.00" X 31.00" X 31.00"
RED: 48.00"

*Consult Keystone for special lead length requirements.

HOT SPOT LOCATION



ORDERING INFORMATION

ORDER CODE	PACKAGING STYLE	PACK QTY.	ITEM STATUS
KTEB-332-UV-IS-N-P-DP	Distributor	10	Quick Ship
KTEB-332-UV-IS-N-P-CP	Carton	40	Active

CATALOG NUMBER BREAKDOWN

KTEB-332-UV-IS-N-P

