

QuickClean™

with **ANTI-MICROBIAL**



COMFORT™ SEATS INTRODUCES THE NEXT GENERATION OF SEATS.



Premium Molded Wood with Plastic Hinges

Comfort™ Seats molded wood utilizes the finest paint to seal and beautify the molded wood core with deep lustrous color & rock hard enamel durability.



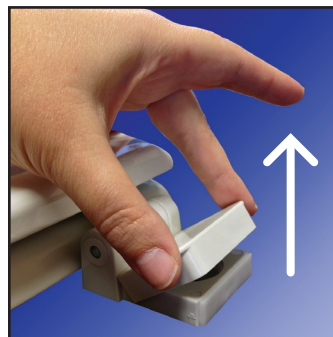
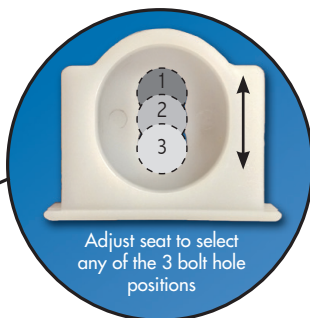
- Closed front with cover
- Durable Molded Wood
- Multi-coat high gloss enamel paint
- Extra wide hinges
- UV paint color protection
- QuickClean™ adjustable hinge with steel pintel
- Color matching hinge and bumpers
- Four bumpers on ring for stability
- Non-skid rubberized pads
- Corrosion resistant stainless steel screws
- Corrosion proof nuts and bolts

SEAT COLOR	HINGE COLOR	ROUND	ELONGATED
WHITE	WHITE	C023WD-00	C024WD-00
BONE	BONE	C023WD-01	C024WD-01
BISCUIT	BISCUIT	C023WD-02	C024WD-02
COTTON WHITE	COTTON WHITE	C023WD-04	C024WD-04

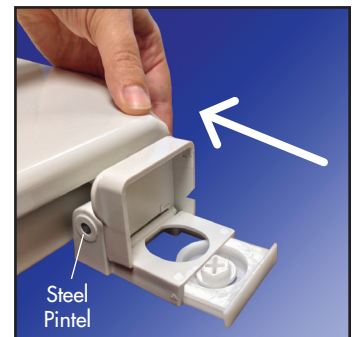
Please consult your pricing schedule for details on pricing information.
 Note: All models have adjustable hinges, however, some may not be immediately available with QuickClean™ feature.

Adjustable QuickClean™ hinge patent pending.

a **perfect fit** for the imperfect bowl



To remove seat, flip open QuickClean™ hinge cover.



Gently slide seat away from hinge for easy cleaning.

00945-01

Seat shall be Comfort™ Seats

Model Number C023WD Round C024WD Elongated

Consumer Package Model # C3B4R3/C3B4E3

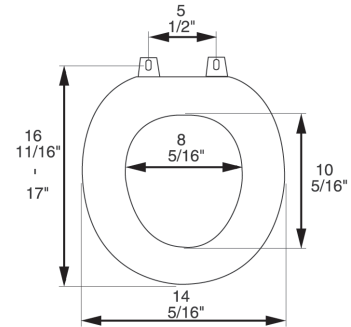


Premium QuicKlean™ Molded Wood Seat Round Closed Front with Cover

Category
RESIDENTIAL

Features

- Durable Molded Wood
- Multi-coat high gloss enamel paint
- UV paint color protection
- Anti-Microbial paint
- QuicKlean™ adjustable hinge with steel pintel
- Color matching hinge and bumpers
- Steel pintel hinges
- Four bumpers on ring for stability
- Non-skid rubberized pads
- Corrosion resistant stainless steel screws
- Corrosion proof POM nuts and bolts
- QuicKlean™ hinge allows the seat to be easily removed and replaced for ease of cleaning.



Seat Color/Finish

Specify white, bone, biscuit, cotton white

Hinge Color/Finish

Specify white, bone, biscuit, cotton white

Product Specifications

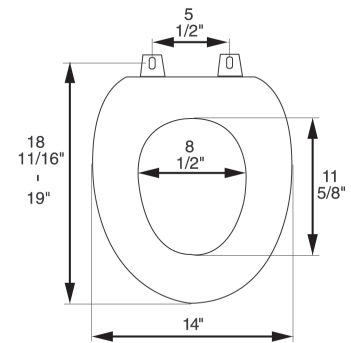
Hinge Design: Extra heavy duty plastic hinge with stainless steel screws and pintels

Ring Thickness: 7/8"

Ring Thickness with Bumper: 1 1/8"

Height of Seat with Cover: 2 1/4"

Size: ANSI Standard Toilet



Additional Information

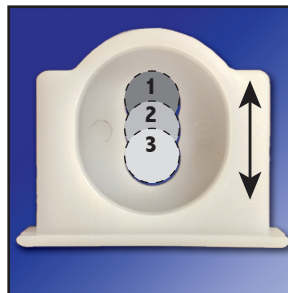
Comfort™ Seats molded wood utilizes the finest paint to seal and beautify the molded wood core with deep lustrous color and rock hard enamel durability.



To remove seat, flip open QuicKlean™ hinge cover.



Gently slide away from hinge for easy cleaning.



Adjust seat to select any of the 3 bolt hole positions.

