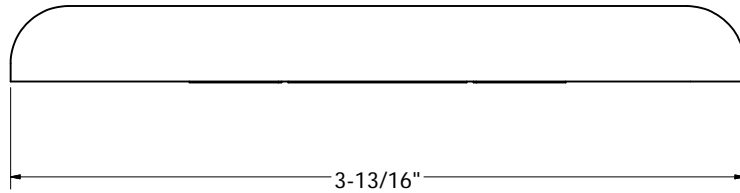
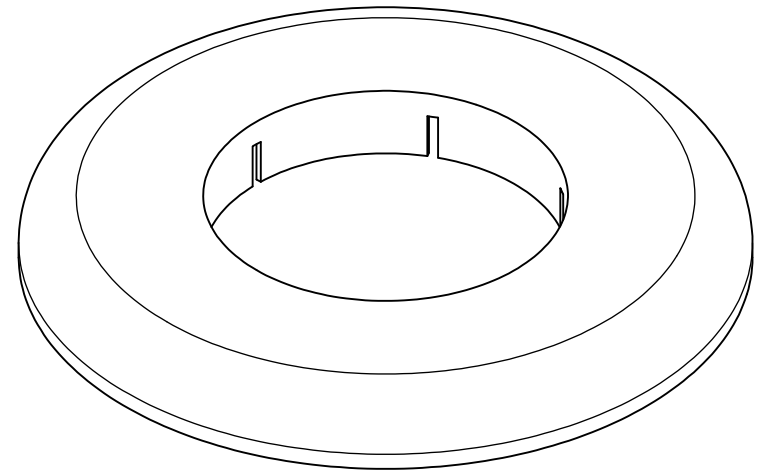
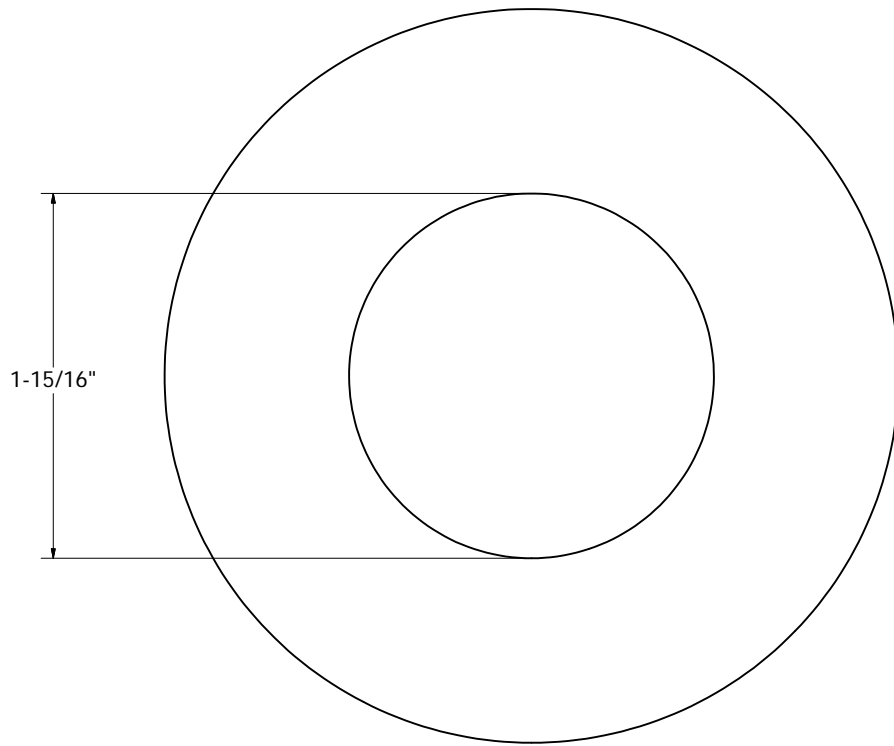


FLEXIBLE FLOOR AND CEILING PLATE CHROME PLATED PLASTIC



PHONE NUMBER		1-800-355-6637
FAX NUMBER		1-800-462-6991
SCALE	DATE	
2 : 1	2-08-13	
SHEET		1 OF 1
DRAWN BY		ASHLEY KRALOVEC

PART NO.	F06150	
IPS	1-1/2"	
CTS	—	
FLANGE OD	3.900	