

Seat shall be Comfort™ Seats

## Model Number C1606S

Consumer Package Model # C3B3R4S

## EZ Close™ Premium Plastic Toilet Seat

Round Closed Front with Cover

### Category

RESIDENTIAL

### Features

- EZ Close™ damper system
- Injection molded durable polypropylene plastic with UV protection
- Molded in bumpers
- Matching adjustable hinge
- Corrosion proof POM nuts, bolts and washers
- Rubberized non-skid pads
- Top mount design

### Seat Color/Finish

Specify white, bone, biscuit, cotton white and colors

### Hinge Color/Finish

Specify white, bone, biscuit, cotton white and colors

### Product Specifications

Hinge Design: Heavy duty EZ Close™ damper system

Ring Thickness: 5/8"

Ring Thickness with Bumper: 7/8"

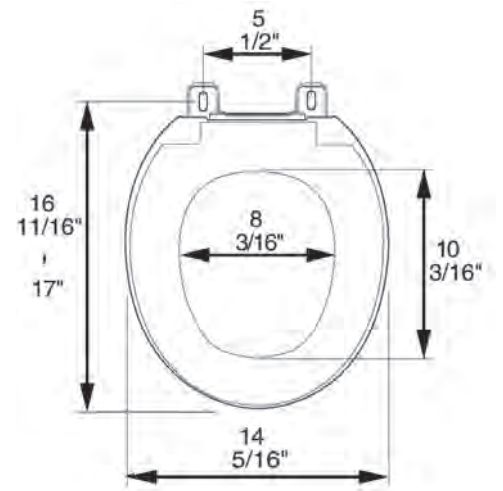
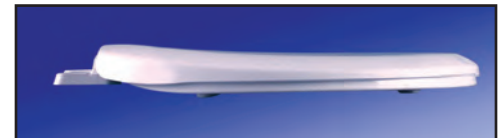
Height of Seat with Cover: 1 3/4"

Size: ANSI Standard Toilet

### Additional Information

Stainless Steel (Model #C200-HPSS) or Metal (Model #C200-HPM) installation hardware for commercial/hospitality installations.

All seats feature UV protection.



Corrosion proof, self-aligning hardware



Factory-installed "living" hinge covers w/stainless steel screws



Heavy duty EZ Close™ damper system

