

Seat shall be Comfort™ Seats

**Model Number C023WD**

Consumer Package Model # C3B4R3

**Premium Molded Wood Toilet Seat**

Round Closed Front with Cover

**Category**

RESIDENTIAL

**Features**

- Durable Molded Wood
- Multi-coat high gloss enamel paint
- UV paint color protection
- Anti-Microbial paint
- Adjustable hinge with steel pintel
- Color matching hinge and bumpers
- Steel pintel hinges
- Four bumpers on ring for stability
- Non-skid rubberized pads
- Corrosion resistant stainless steel screws
- Corrosion proof POM nuts and bolts

**Seat Color/Finish**

Specify white, bone, biscuit or cotton white

**Hinge Color/Finish**

Specify white, bone, biscuit or cotton white

**Product Specifications**

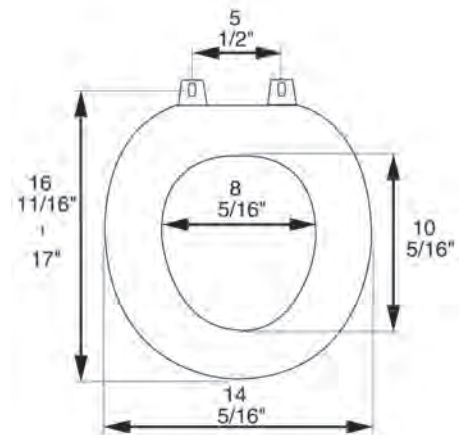
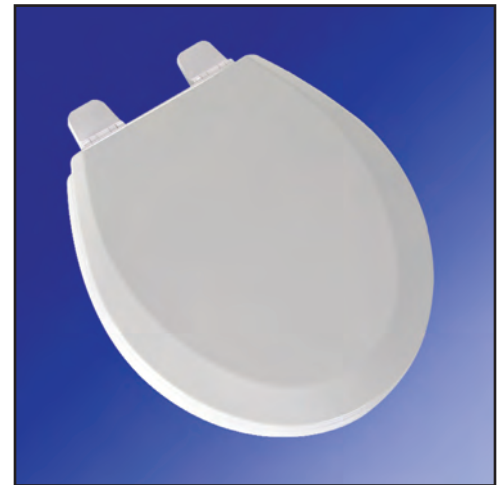
Hinge Design: Extra heavy duty plastic hinge with stainless steel screws and pintels

Ring Thickness: 7/8"

Ring Thickness with Bumper: 1 1/8"

Height of Seat with Cover: 2 1/4"

Size: ANSI Standard Toilet

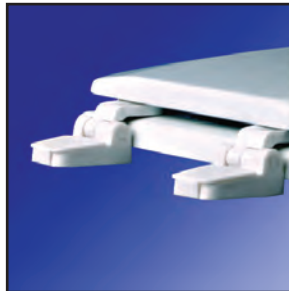


**Additional Information**

Comfort™ Seats molded wood utilizes the finest paint to seal and beautify the molded wood core with deep lustrous color and rock hard enamel durability.



Corrosion proof, self-aligning hardware



Factory-installed "living" hinge covers w/stainless steel screws

