



# V-200

## Acidic Condensate Neutralizer for Residential Condensing Boiler, Furnace, and Water Heater Installations.

The V-200 is a game-changing innovation from JJM® that is ideal for wall-hung residential units. The V-200 features two distinct outlet ports for flexible configuration. Further, the V-200 design enables quick and easy maintenance without disconnecting any fittings—just one hand!



### Not sure which JJM® model is best for your needs?

Scan the QR code to learn more about the V-200. Plus find helpful ways to search for other JJM® products in case the V-200 isn't the best fit.

## VERTICAL MOUNT NEUTRALIZER WITH pH POWER PELLETS®



### WHO IS JJM®?

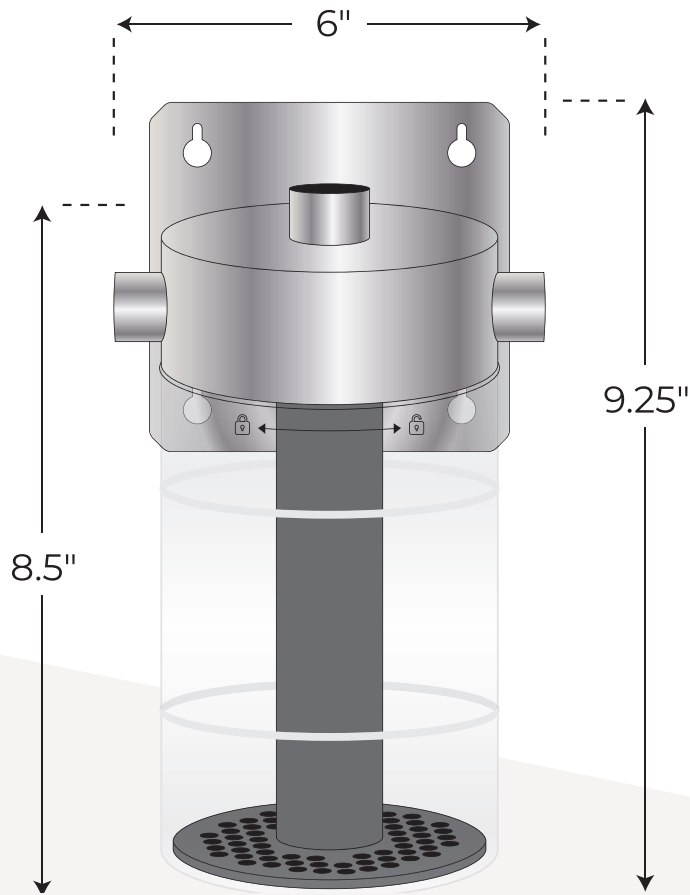
JJM Alkaline Technologies® is the innovator and industry leader of condensate neutralizers for the heating and plumbing industries. We built the first one. Now we build the best ones.

We craft reliable solutions for the treatment of acidic condensate produced by today's condensing, gas-fired heating appliances. Maybe your local codes require it? Maybe you don't want damage to appliances or property? Maybe you just believe there's a right way to do things? Whatever your reason, JJM® is the add-on that adds up.

### WHY JJM®?

- We do one thing, and we do it right.
- We have reliable solutions for every install.
- 3-5 days from order to shipping.
- Responsive, ready and really nice people.
- Trust us, we invented the category.
- High performance, low maintenance, great value
- The green solution to neutralization.

**V-200**  
**VERTICAL MOUNT NEUTRALIZER**  
**WITH pH POWER PELLETS®**



**Designed for Residential Wall-Hung Heating Units**

The JJM® V-200 is designed to work with wall-hung residential heating units. The V-200 is equipped to handle condensate from wall-hung boilers or tankless water heaters with (2) outlet port options for versatile configuration.

**Ensure Compliance with Regulatory Codes and Protect the Environment**

The JJM® V-200 is an easy and necessary accessory to condensing residential heaters. The V-200 ensures the safe treatment of acidic condensate in compliance with industry, federal, state, and local codes to protect homes and the environment.

**Easy Routine Maintenance**

The V-200 design enables quick and easy service without needing to disconnect fittings connections. The pH Power Pellets® refill can be replaced with just one hand.

**V-200 SPECIFICATIONS**

Part No.	4101
MBH	200
GPH	1.6
Material	ABS,PET
Pellets	1.6 lbs.
Inlet/Outlet	3/4"
PH Power Pellets® Refill	V-200R

