

0.050 to 25 KVA

Contents

| | |
|------------------------|-----|
| Overview | 2.2 |
| Dimensional Drawings | 2.5 |
| Wiring Diagrams | 2.6 |
| Selection Charts | |
| 120/240 V - 120/240 V | 2.3 |
| 208 V - 120/240 V | 2.3 |
| 240/480 V - 120/240 V | 2.3 |
| 277 V - 120/240 V | 2.4 |
| 600 V - 120/240 V | 2.4 |
| International Voltages | 2.4 |

Products

- *General Purpose: 50 VA through 25 KVA**
- *International: 1 KVA through 25 KVA**

Applications

- *For all general loads, indoors or out, including lighting, industrial and commercial applications*
- *Units may be banked for 3-Phase operations*

Specifications

- *Encapsulated with electrical grade resin*
- *Cores of high quality electrical steel*
- *NEMA 3R-rated enclosures*
- *50/60 Hz operation as noted*
- *International units electrostatically shielded*
- *Heat-cured ASA-61 gray powder coat finish*

Features, Functions, Benefits

- *Large connection compartment with knockouts for ease of wiring and installation*
- *Quiet operation for installation flexibility*
- *Slotted mounting holes for quick and easy mounting*
- *Convenient wall mount design with lifting hooks above 5 KVA*
- *Permanently affixed wiring diagram*

Standards

- *Built in accordance with NEMA, ANSI, UL and CSA standards*
- *International units are CE Marked*

*Options and Accessories

- *CE Marked units available as custom*
- *Other sizes and voltages available as custom*

Single-Phase Encapsulated

General Purpose

.050 - 1 KVA, 95°C Temperature Rise; 1.5 - 25 KVA, 135°C Temperature Rise

| KVA | Catalog Number | Fig. | Height A (in.) | Width B (in.) | Depth C (in.) | Wiring Diagram | Est. Ship Wgt. (lbs.) |
|--|----------------|------|----------------|---------------|---------------|----------------|-----------------------|
| 120 X 240 V – 120/240 V 60 Hz • Taps None | | | | | | | |
| .500 | 411-0051-120 | 2 | 10.19 | 5.06 | 4.59 | S240A | 15 |
| 1 | 411-0071-120 | 2 | 10.19 | 5.06 | 4.59 | | 19 |
| 2 | 411-0091-120 | 3 | 12.50 | 6.69 | 5.34 | | 41 |
| 3 | 411-0101-120 | 3 | 14.56 | 7.56 | 7.15 | | 68 |
| 5 | 411-0111-120 | 3 | 14.56 | 7.56 | 7.15 | | 93 |
| 7.5 | 411-0131-120 | 4 | 16.12 | 13.50 | 8.55 | | 130 |
| 10 | 411-0151-120 | 4 | 16.12 | 13.50 | 8.55 | | 155 |
| 15 | 411-0161-120 | 4 | 21.12 | 16.50 | 10.06 | | 255 |
| 25 | 411-0181-120 | 4 | 21.12 | 16.50 | 10.06 | | 291 |
| 208 V – 120/240 V 60 Hz • Taps None | | | | | | | |
| .500 | 411-0051-208 | 2 | 10.19 | 5.06 | 4.59 | S208A | 15 |
| 1 | 411-0071-208 | 2 | 10.19 | 5.06 | 4.59 | | 19 |
| 2 | 411-0091-208 | 3 | 12.50 | 6.69 | 5.34 | | 41 |
| 3 | 411-0101-208 | 3 | 14.56 | 7.56 | 7.15 | | 68 |
| 5 | 411-0111-208 | 3 | 14.56 | 7.56 | 7.15 | | 93 |
| 7.5 | 411-0131-208 | 4 | 16.12 | 13.50 | 8.55 | | 130 |
| 10 | 411-0151-208 | 4 | 16.12 | 13.50 | 8.55 | | 155 |
| 15 | 411-0161-208 | 4 | 21.12 | 16.50 | 10.06 | | 255 |
| 25 | 411-0181-208 | 4 | 21.12 | 16.50 | 10.06 | | 291 |
| 240 X 480 V – 120/240 V 60 Hz • Taps None | | | | | | | |
| .050 | 411-0001-000 | 2 | 8.03 | 3.31 | 3.08 | S480A | 6 |
| .100 | 411-0021-000 | 2 | 8.03 | 3.31 | 3.08 | | 6 |
| .150 | 411-0031-000 | 2 | 8.03 | 3.31 | 3.08 | | 6 |
| .250 | 411-0041-000 | 2 | 8.03 | 3.31 | 3.08 | | 7 |
| .500 | 411-0051-000 | 2 | 10.19 | 5.06 | 4.59 | | 15 |
| .750 | 411-0061-000 | 2 | 10.19 | 5.06 | 4.59 | | 18 |
| 1 | 411-0071-000 | 2 | 10.19 | 5.06 | 4.59 | | 19 |
| 1.5 | 411-0081-000 | 3 | 12.50 | 6.69 | 5.34 | | 33 |
| 2 | 411-0091-000 | 3 | 12.50 | 6.69 | 5.34 | | 41 |
| 3 | 411-0101-000 | 3 | 14.56 | 7.56 | 7.15 | | 68 |
| 5 | 411-0111-000 | 3 | 14.56 | 7.56 | 7.15 | | 93 |
| 7.5 | 411-0131-000 | 4 | 16.12 | 13.50 | 8.55 | | 130 |
| 10 | 411-0151-000 | 4 | 16.12 | 13.50 | 8.55 | | 155 |
| 15 | 411-0161-000 | 4 | 21.12 | 16.50 | 10.06 | | 255 |
| 25 | 411-0181-000 | 4 | 21.12 | 16.50 | 10.06 | | 291 |
| 240 x 480 V – 120/240 V 60 Hz • Taps: 2 – 2.5% FCAN + 2 – 2.5% FCBN | | | | | | | |
| 3 | 411-0104-300 | 3 | 14.56 | 7.56 | 7.15 | S480B | 68 |
| 5 | 411-0114-300 | 3 | 14.56 | 7.56 | 7.15 | | 93 |
| 7.5 | 411-0134-300 | 4 | 16.12 | 13.50 | 8.55 | | 130 |
| 10 | 411-0154-300 | 4 | 16.12 | 13.50 | 8.55 | | 155 |
| 15 | 411-0164-300 | 4 | 21.12 | 16.50 | 10.06 | | 255 |
| 25 | 411-0184-300 | 4 | 21.12 | 16.50 | 10.06 | | 291 |

Note: Housing dimensions subject to change without notice. Consult website or factory where dimensions are critical.



Single-Phase Encapsulated

Figure 2

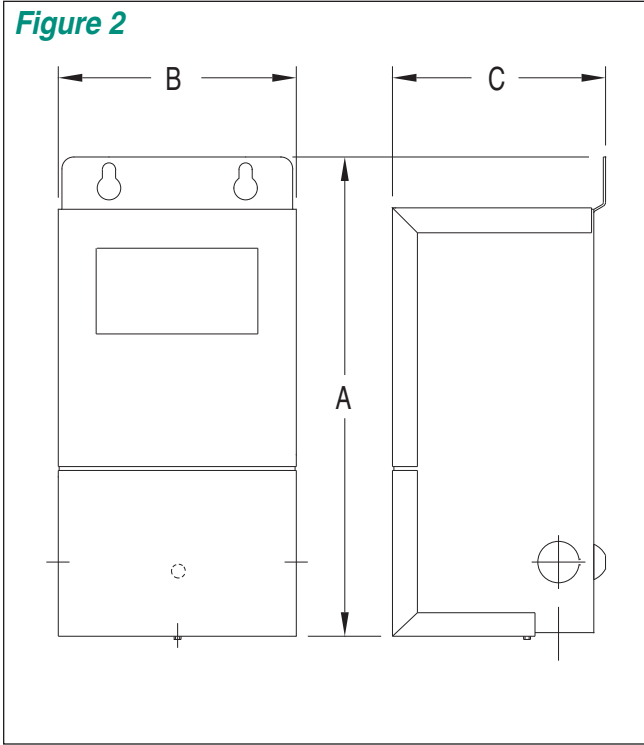


Figure 3

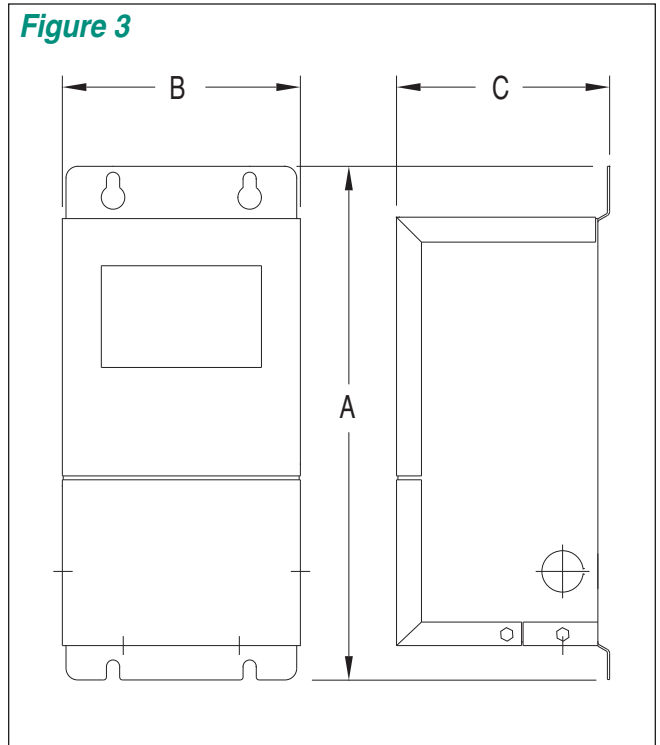
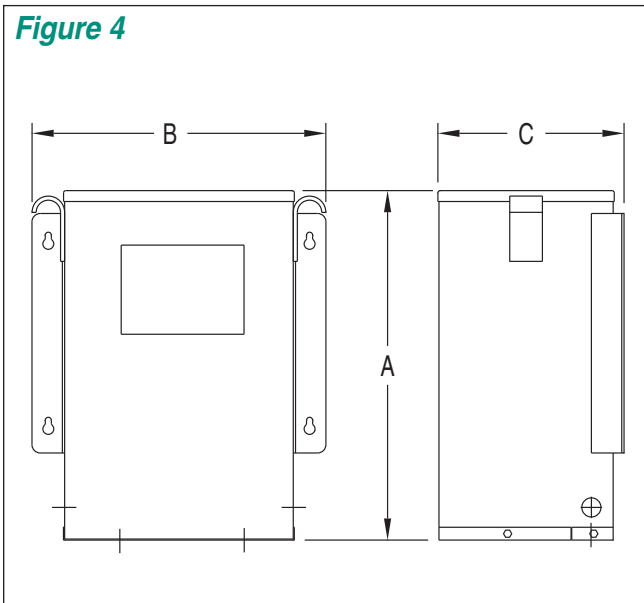


Figure 4



Version JE901.0411

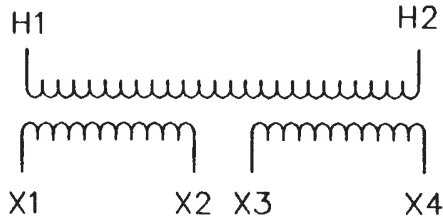
2

Single-Phase Encapsulated

S208A Wiring Diagram & Connections*

Wiring Diagram

Primary: 208
Secondary: 120/240



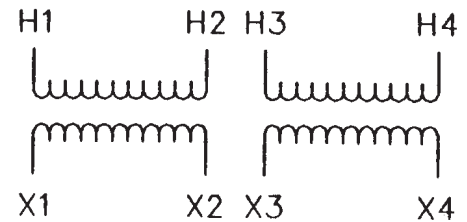
Connections

| Primary Volts | Primary Lines Connect To |
|---------------|----------------------------|
| 208 | H1-H2 |
| Sec. Volts | Secondary Lines Connect To |
| 240 | X2 to X3 |
| 120/240 | X2 to X3 |
| 120 | X1 to X3 |
| | X2 to X4 |

S240A Wiring Diagram & Connections*

Wiring Diagram

Primary: 120 x 240
Secondary: 120/240



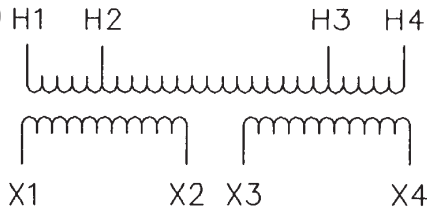
Connections

| Primary Volts | Interconnect | Primary Lines Connect To |
|---------------|--------------|----------------------------|
| 240 | H2 to H3 | H1-H4 |
| 120 | H1 to H3 | H1-H4 |
| | H2 to H4 | |
| Sec. Volts | Interconnect | Secondary Lines Connect To |
| 240 | X2 to X3 | X1-X4 |
| 120/240 | X2 to X3 | X1-X2-X4 |
| 120 | X1 to X3 | X1-X4 |
| | X2 to X4 | |

S277A Wiring Diagram & Connections*

Wiring Diagram

Primary: 277
Secondary: 120/240



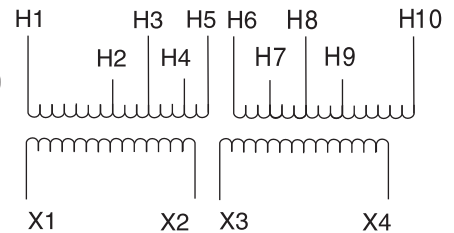
Connections

| Primary Volts | Primary Lines Connect To |
|---------------|----------------------------|
| 277 | H1-H4 |
| 270 | H1-H3 |
| 263 | H2-H3 |
| Sec. Volts | Secondary Lines Connect To |
| 240 | X2 to X3 |
| 120/240 | X2 to X3 |
| 120 | X1 to X3 |
| | X2 to X4 |

S440A Wiring Diagram & Connections*

Wiring Diagram

Primary: 190/200/208/220 x 380/400/416/440
Secondary: 120/240



Connections

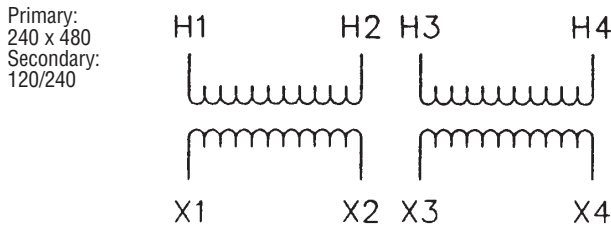
| Primary Volts | Interconnect | Primary Lines Connect To |
|---------------|--------------|----------------------------|
| 440 | H5 to H6 | H1 and H10 |
| 416 | H4 to H7 | H1 and H10 |
| 400 | H3 to H8 | H1 and H10 |
| 380 | H2 to H9 | H1 and H10 |
| 220 | H1 to H6 | H1 and H10 |
| | H5 to H10 | |
| 208 | H1 to H7 | H1 and H10 |
| | H4 to H10 | |
| 200 | H1 to H8 | H1 and H10 |
| | H3 to H10 | |
| 190 | H1 to H9 | H1 and H10 |
| | H2 to H10 | |
| Sec. Volts | Interconnect | Secondary Lines Connect To |
| 240 | X2 to X3 | X1-X4 |
| 120/240 | X2 to X3 | X1-X2-X4 |
| 120 | X1 to X3 | X1-X4 |
| | X2 to X4 | |

NOTE: Electrostatic shields are optionally available and not shown in all wiring diagrams. * Insulate unused taps individually.

Single-Phase Encapsulated

S480A Wiring Diagram & Connections*

Wiring Diagram



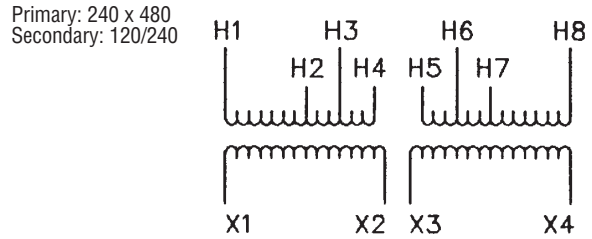
Connections

| Primary Volts | Interconnect | Primary Lines Connect To |
|---------------|----------------------|--------------------------|
| 480 | H2 to H3 | H1-H4 |
| 240 | H1 to H3 H2 to H4 | H1-H4 |

| Sec. Volts | Interconnect | Secondary Lines Connect To |
|------------|----------------------|----------------------------|
| 240 | X2 to X3 | X1-X4 |
| 120/240 | X2 to X3 | X1-X2-X4 |
| 120 | X1 to X3 X2 to X4 | X1-X4 |

S480B Wiring Diagram & Connections*

Wiring Diagram



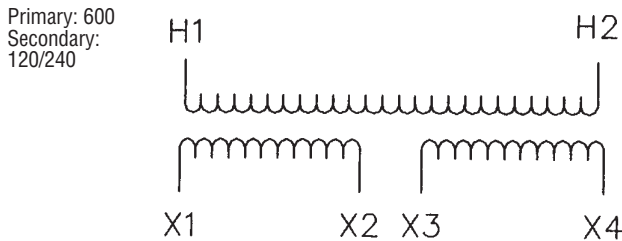
Connections

| Primary Volts | Interconnect | Primary Lines Connect To |
|---------------|----------------------|--------------------------|
| 504 | H4 to H5 | H1 and H8 |
| 492 | H3 to H5 | H1 and H8 |
| 480 | H3 to H6 | H1 and H8 |
| 468 | H2 to H6 | H1 and H8 |
| 456 | H2 to H7 | H1 and H8 |
| 252 | H1 to H5 H4 to H8 | H1 and H8 |
| 240 | H1 to H6 H3 to H8 | H1 and H8 |
| 228 | H1 to H7 H2 to H8 | H1 and H8 |

| Sec. Volts | Interconnect | Secondary Lines Connect To |
|------------|----------------------|----------------------------|
| 240 | X2 to X3 | X1 and X4 |
| 120/240 | X2 to X3 | X1-X2-X4 |
| 120 | X1 to X3 X2 to X4 | X1-X4 |

S600A Wiring Diagram & Connections*

Wiring Diagram



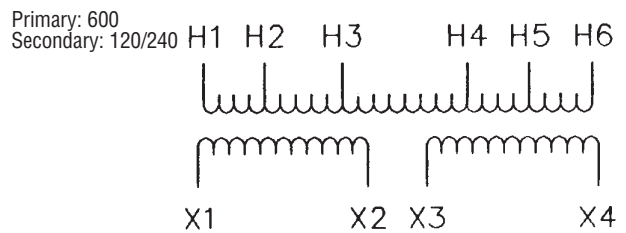
Connections

| Primary Volts | Primary Lines Connect To |
|---------------|--------------------------|
| 600 | H1-H2 |

| Sec. Volts | Interconnect | Secondary Lines Connect To |
|------------|----------------------|----------------------------|
| 240 | X2 to X3 | X1-X4 |
| 120/240 | X2 to X3 | X1-X2-X4 |
| 120 | X1 to X3 X2 to X4 | X1-X4 |

S600B Wiring Diagram & Connections*

Wiring Diagram



Connections

| Primary Volts | Primary Lines Connect To |
|---------------|--------------------------|
| 600 | H1-H6 |
| 585 | H1-H5 |
| 570 | H2-H5 |
| 555 | H2-H4 |
| 540 | H3-H4 |

| Sec. Volts | Interconnect | Secondary Lines Connect To |
|------------|----------------------|----------------------------|
| 240 | X2 to X3 | X1-X4 |
| 120/240 | X2 to X3 | X1-X2-X4 |
| 120 | X1 to X3 X2 to X4 | X1-X4 |

NOTE: Electrostatic shields are optionally available and not shown in all wiring diagrams. * Insulate unused taps individually.