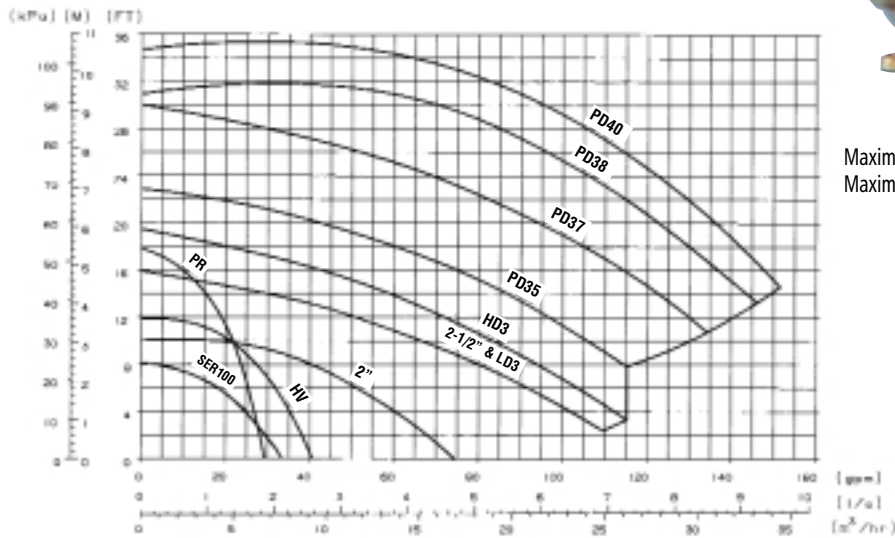
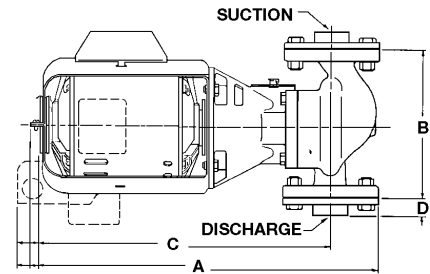


Oil Lubricated Circulators Three-Piece



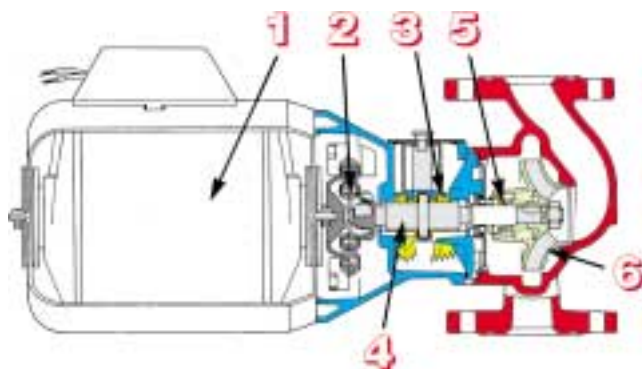
Maximum working pressure125 psi (8.6 bar)
 Maximum operating temperature
 Standard Seal 225°F (107°C) continuous
 Special Seals 250°F (121°C) continuous



Dimensions & Weights

Model No.	Cast Iron		Bronze		Flange Size Inches (NPT)	Motor Characteristics* @ 60 Hz			Dimensions in Inches (mm) (Open Drip-Proof)				Approximate Shpg. Wt. lbs. (Kg)	
	Model No.	Part No.	Model No.	Part No.		HP	Ø	Voltage	A	B	C	D	Cast Iron	Bronze
Series 100	100 NFI	106189	100 AB	106192	3/4	1/12		14 7/8 (378)	6 3/8 (162)	12 3/4 (324)	9/16 (14)	20 (9)	21 (10)	
	100 BI	106190	100 BNFI	106197	1 & 1/4						1 1/2			15/16 (24)
Series PR	PR	102206	PR AB	102208	3/4	1/6	15 1/4 (387)	8 1/2 (216)	12 3/4 (324)	9/16 (14)	30 (14)	32 (15)		
	PR BI	102207			1 & 1/4					1 1/2			3/4 (19)	15/16 (24)
Series HV	HV NFI	102210	HV AB	102231	1	1/6	15 3/8 (391)	8 1/2 (216)	13 (330)	5/8 (16)	28 (13)	30 (14)		
	HV BI	102230	HV BNFI	102213	1 1/4 & 1 1/2					3/4 (19)			15/16 (24)	
2"	2 NFI	102214	2 AB	102233	2	1/6	16 5/8 (422)	8 1/2 (216)	14 (356)	3/4 (19)	36 (16)	39 (18)		
	2 BI	102232	2 BNFI	102217	1 1/2					5/8 (16)				
2 1/2"	2 1/2	102218	2 1/2 AB	102220	2 1/2	1/4	17 1/4 (438)	10 (254)	14 (356)	1 1/16 (27)	54 (24)	58 (26)		
	2 1/2 BI	102219			1					1 1/16 (27)				
LD3	LD3	102222	LD3 AB	102224	3	1/4	17 1/4 (438)	10 (254)	14 (356)	1 1/16 (27)	53 (24)	57 (26)		
	LD3 BI	102223			1 1/16 (27)									
HD3	HD3	102226	HD3 AB	102228	3	1/3	115/230	17 1/2 (445)	10 (254)	14 1/4 (362)	55 (25)	59 (27)		
	HD3 BI	102227			1 1/16 (27)									
PD-35S	PD35S BI	105090	PDB35S	105092	3	1/2	115/230	20 1/4 (514)	12 (305)	16 7/8 (429)	75 (34)	80 (36)		
	PD35T	105093	1 1/16 (27)											
PD-35T	PD35T BI	105094	PDB35T	105096	3	1/2	3	208-230/460	20 1/4 (514)	12 (305)	16 7/8 (429)	75 (34)	80 (36)	
	PD37S	105097	1 1/16 (27)											
PD-37S	PD37S BI	105098	PDB37S	105100	3	3/4	1	115/230	20 1/4 (514)	12 (305)	16 7/8 (429)	75 (34)	80 (36)	
	PD37T	105101	1 1/16 (27)											
PD-37T	PD37T BI	105102	PDB37T	105104	3	3/4	3	208-230/460	20 1/4 (514)	12 (305)	16 7/8 (429)	75 (34)	80 (36)	
	PD38S	105121	1 1/16 (27)											
PD-38S	PD38S BI	105122	PDB38S	105123	3	1	1	115/230	24 (610)	14 1/2 (368)	128 (58)	138 (63)		
	PD38T	105133	1 1/4 (32)											
PD-38T	PD38T BI	105134	PDB38T	105135	3	1	3	208-230/460	24 1/4 (616)	14 1/2 (368)	125 (57)	135 (61)		
	PD40S	105151	1 1/4 (32)											
PD-40S	PD40S BI	105152	PDB40S	105153	3	1 1/2	1	115/230	24 5/8 (625)	14 1/2 (368)	130 (59)	140 (64)		
	PD40T	105137	1 1/4 (32)											
PD-40T	PD40T BI	105138	PDB40T	105139	3	1 1/2	3	208-230/460	25 1/8 (638)	14 1/2 (368)	20 5/8 (524)	1 1/4 (32)	127 (58)	137 (62)

*Special motors available upon request. Dimensions are approximate and subject to changes. Contact factory for certified dimensions.



1 B&G Motor — The heart of the Booster. The finest circulator motor available. Sleeve bearing, oil lubricated with replaceable resilient motor mounts. B&G is the only pump company to manufacture its own oil lubricated motor. Two-piece bracket makes service a snap.

2 Noise dampening coupler. B&G's own flexible spring design adds to quiet operation. Do not accept a substitute.

3 Long bronze sleeve bearings maintain exact shaft alignment. Provides for constant circulation of oil over bearing surfaces.

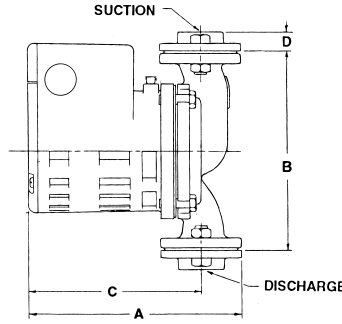
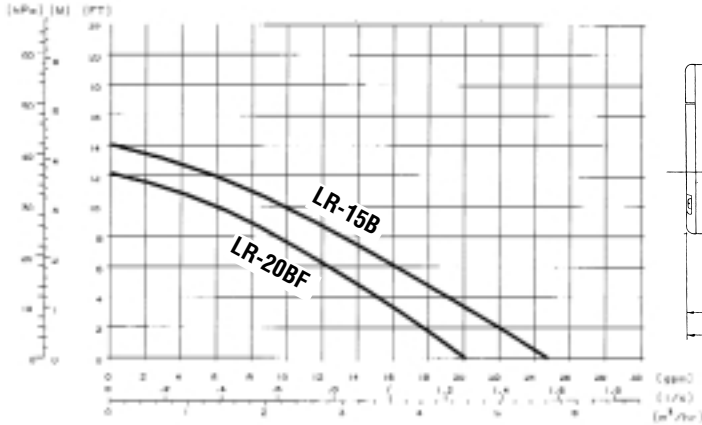
4 Precision ground pump shaft is oversized to provide large bearing surfaces. Hardened integral thrust collar minimizes end-thrust to ensure long seal and bearing life.

5 The B&G mechanical seal is designed to withstand the wide range of water temperatures, pressures, additives and dissolved solids common in hydronic systems.

6 Centrifugal impeller prevents accumulation of air at seal faces to assure long life. Close impeller/body tolerances minimize water slippage and maximize efficiency.



Oil Lubricated Circulators Compact Design/Series LR



Maximum working pressure125 psi (8.6 bar)
Maximum operating temperature 225°F (107°C)

Dimensions & Weights

Model No.	Part No.	Construction	Flange Size Inches (NPT)	Motor Characteristics* @ 60 Hz			Dimensions in Inches (mm)				Approx. Shpg. Wt. lbs. (Kg)
				HP	Ø	Voltage	A	B	C	D	
LR-20BF	106506	Cast Iron	3/4	1/20	1	115 - With Built-in Thermal Overload Protection	6 15/16 (176)	6 3/8 (162)	5 5/8 (143)	9/16 (14)	10.4 (4.7)
			1 & 1/4							3/4 (19)	
			1 1/2							15/16 (24)	
LR-15B	106513	Bronze	3/4	1/12	1	7 15/16 (202)	6 3/8 (162)	6 5/8 (168)	9/16 (14)	13.1 (5.9)	
			1 & 1/4						3/4 (19)		
			1 1/2						15/16 (24)		

230/60/1 motors available upon request. Dimensions are approximate and subject to change. Contact factory for certified dimensions.

Flanges for Cast Iron Circulators

	Size (NPT)	Master Carton of 12 Part No.*	Individual Flange Part No.
Series 100, PR, NRF-22, NRF-9F/LW, NRF-33 PL-30, PL-36, PL-55	3/4"	101001	P00740
	1"	101002	P01510
	1-1/4"	101003	P03250
	1-1/2"	101004	P03430
Series HV, PL-45, PL-50	1"	101005	P00802
	1-1/4"	101006	P03300
	1-1/2"	101007	P03410

	Size (NPT)	Set of 2 Part No.*	Individual Flange Part No.
PL-75, PL-130	2"	101215	F14200

*Includes Fasteners

Flanges for Bronze Circulators

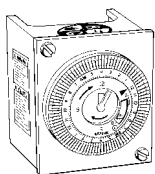
	Size (NPT)	Master Carton of 12 Part No.*	Individual Flange Part No.
Series 100B, PRAB, NBF-22, NBF-12F/LW, NBF-33, PL-30B PL-36B	3/4"	101011	P00789
	1"	101012	P00794
	1-1/4"	101013	P03251
	1-1/2"	101014	P00779
Series HVB, PL-45B, PL-50B	1"	101015	P00804
	1-1/4"	101016	P06660
	1-1/2"	101017	P06690

	Size (NPT)	Set of 2 Part No.*	Individual Flange Part No.
PL-75B, PL-130B	2"	101216	F54200

*Includes Fasteners

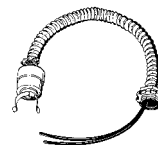
Union Connection for NBF Circulators

	Union Connection	Set of Two	
		Model No.	Part No.
NBF-22U, NBF-12U/LW NBF-9U/LW	1/2" sweat	UC-1/2S	113203
	3/4" sweat	UC-3/4S	113201
	3/4" NPT	UC-3/4 NPT	113202



TC-1 Automatic Timer Kit (part no. 113210)

To increase the overall efficiency of a hot water recirculation system, the TC-1 timer control kit can be installed for use on any B&G NBF circulator. The TC-1 timer control is programmable to turn the circulator ON and OFF automatically at preset times. This permits the user to have the pump circulate hot water only during those times when high usage can be expected throughout the day.



AQ-1/2 (part no. 113220) and AQ-3/4 (part no. 113221) Aquastat

Aquastats are designed to thermostatically turn any B&G NBF circulator ON and OFF. The AQ-1/2 or AQ-3/4 will switch the pump OFF at 120°F (49°C) and ON at 100°F (38°C). The aquastats are available in separate models that will sense the temperature for either 1/2" or 3/4" copper pipe.