

Indoor and Outdoor Enclosures

Corrosion-Resistant Paint

Mounting Bracket

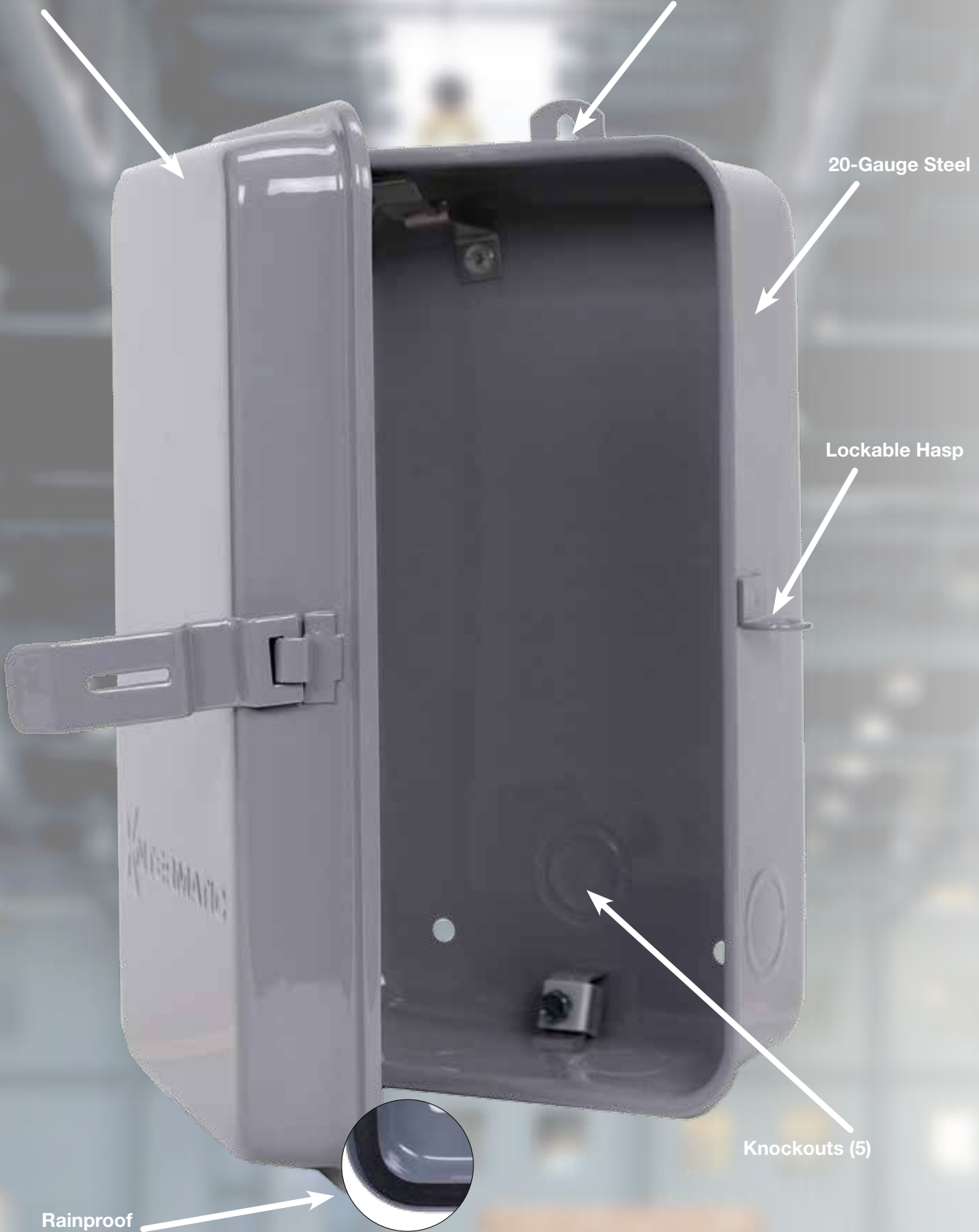
20-Gauge Steel

Lockable Hasp

Knockouts (5)

Rainproof Gasket

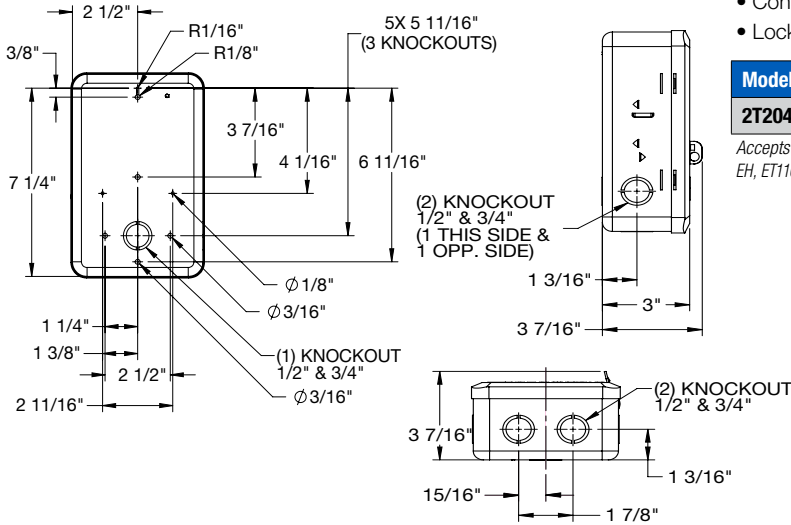
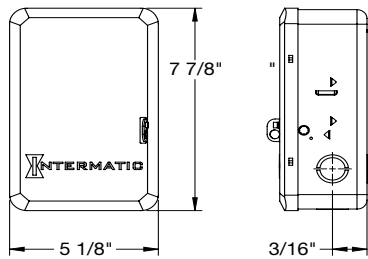
2T511GA Shown





2T2040GA

Enclosure Dimensions



Indoor Metal Enclosure

Type 1

These drawn steel, powder coated enclosures offer a spring style hasp to ensure the enclosure remains closed and allows for a lock to be used to prevent unauthorized access to the controls.

Features

- Drawn steel with gray powder coat paint finish
- Combination 1/2" and 3/4" nominal knockouts with one on back and each side of enclosure, and two on bottom
- Convenient mounting holes
- Lockable hasp holds door closed

Model #	Color	Dimensions H x W x D
2T2040GA	Gray	7 7/8" x 5 1/8" x 3 1/16" (200 mm x 130.2 mm x 87.3 mm)

Accepts a wide range of Intermatic Time Switches, including most T100, T170, T1900, T2000, C8800, EH, ET1100, ET1700, ET2000, ET8000, ET90115, and ET90215 Series units.



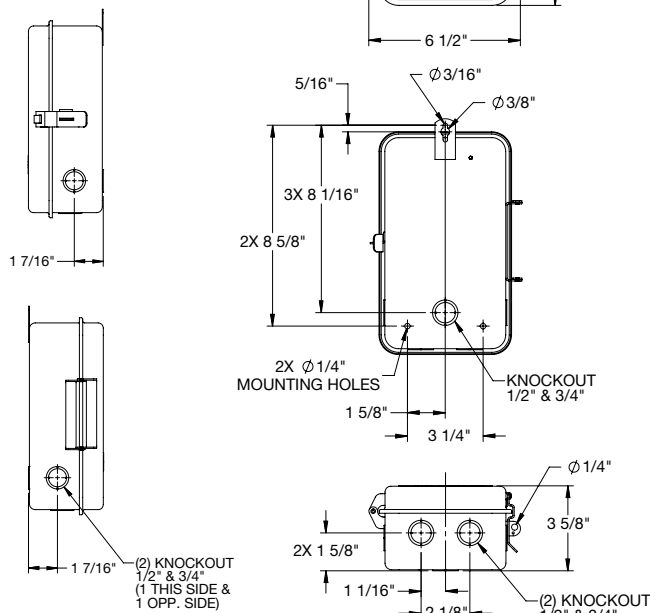
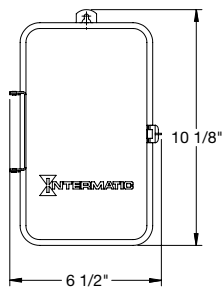
2T511GA



2T2485GA

Enclosure Dimensions

2T511GA / 2T2485GA



Outdoor Metal Enclosures

Type 3R Rainproof

These drawn steel, powder coated enclosures keep controls protected from rain, sleet, snow, and ice. They have a swinging hasp that allows for a lock to be used to prevent unauthorized access to the controls.

Features

- Drawn steel with gray or beige powder coat paint finish
- Combination 1/2" and 3/4" nominal knockouts with one on back and each side of enclosure, and two on bottom
- Separate grounding terminal
- Convenient mounting holes
- Lockable hasp holds door closed

Model #	Color	Dimensions H x W x D
For Most Mechanical and Electronic Controls		
2T511GA*	Gray	10 1/8" x 6 1/2" x 3 3/8" (257.2 mm x 165.1 mm x 92.1 mm)
2T2485GA*	Beige	10 1/8" x 6 1/2" x 3 3/8" (257.2 mm x 165.1 mm x 92.1 mm)
For Carry-Over Models		
2T2331GA**	Gray	10 1/8" x 6 1/2" x 3 11/16" (257.2 mm x 165.1 mm x 93.7 mm)

*Available for T100, T170, T1900, T2000, C8800, EH, ET1100, ET1700, ET2000, ET8000, ET90115, and ET90215 Series units.

**Available for T100CR, T170CR, T1400, and T1800 Series units.