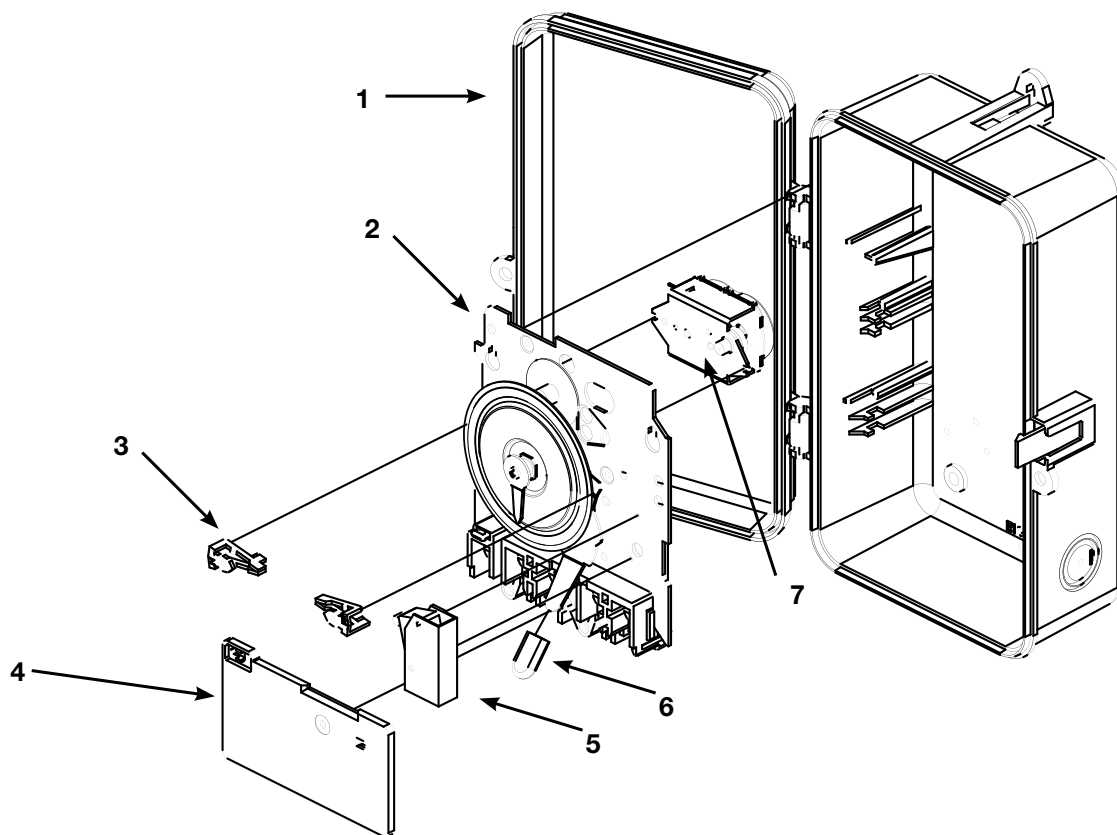


T100 Series Time Switches

Model No.	Item No. 1	Item No. 2	Item No. 5	Item No. 6
T101P3	2T2503A	T101M	None	WG1570-10
T101R3	2T2483GR	T101M	None	WG1570-10
T101P201	2T2503A	T101M201	156T4042A	WG430-10
T101R201	2T2483GR	T101M201	156T4042A	WG430-10
T104P3	2T2503A	T104M	None	WG1573-10
T104R3	2T2483GR	T104M	None	WG1573-10
T104P201	2T2503A	T104M201	156T4042A	WG433-10
T104R201	2T2483GR	T104M201	156T4042A	WG433-10
T106P3	2T2503A	T106M	-	WG1573-10



Item No.	Description	Part No.	Shipping Weight (lb.)	*List Price (\$)
1	Enclosure	See Table Above	3.0	92.27
2	Switch Mechanism - Complete	See Table Above	1.5	148.87 [†]
3	Tripper, (1) ON - (1) OFF per pack	156T1978A	0.3	3.65
4	Insulator - Terminals (10) per pack	124T2411A	0.5	16.91
5	Switch - Heater (Fireman)	See Table Above	0.5	30.62
6	Insulator - Slave (10) per pack	156T6738A	0.3	5.27
7	Motor - Clock	See Table Above	0.5	39.59 [†]

* Prices are subject to change without notice

† Price may vary depending on model selected