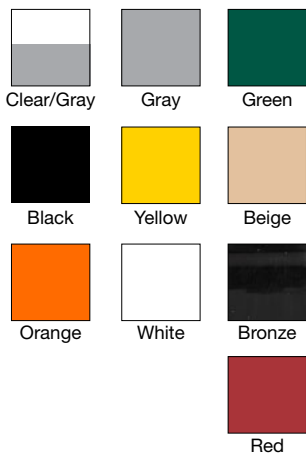




WP5000G



WP5500C



WP5103C

## Extra-Duty Plastic In-Use Weatherproof Covers

### Single and Double-Gang Models

Plastic In-Use Weatherproof Covers are extra-duty rated and easy to install. Covers come with an adhered gasket, mounting screws, base, cover assembly, and inserts to meet the needs of a variety of applications.

#### Applications

- Industrial • Commercial • Manufacturing • Residential
- Agricultural • Signage • Athletic fields

#### Features

- Complies with 2014 NEC Article 406.9 (B)(1) for wet locations and extra-duty applications
- Exceeds CEC Article 26-702
- UL Certified for Type 3R outdoor enclosures
- Meets requirements for cold impact testing: -60° F (-51° C)
- Heavy-duty UV stabilized polycarbonate cover, mounting base, and inserts
- 1/8" (3 mm) thick, pre-adhered neoprene gasket with slits for mounting screws
- Lockable hasp: All models accept up to 1/4" (6 mm) dia shank
- Impact rated: 12-lb. impact test to ensure cover remains intact
- Reinforced hinge pin designed to exceed 40 lb. hinge hang/stress test
- Warranty: 1-year limited

#### Single-Gang Models

- Three inserts provided with all models that allow each model to meet multiple installations (up to 16 configurations)
- Max cord size: (2) #14 AWG or (1) #12 AWG

#### Double-Gang Models

- Six inserts provided with all models that allow each model to meet multiple installations (up to 70 configurations)
- Max cord size: (2) #12 AWG or (1) #10 AWG; 30/50 A (1) #6 AWG

### Single-Gang - Vertical/Horizontal

Clear/Gray	Gray	Black	Yellow	Orange	White	Green	Beige	Bronze	Red	Depth	Flexi-Guard Inserts
WP5000C	WP5000G	WP5000BL	WP5000Y	WP5000OR	WP5000W	WP5000GN	WP5000B	WP5000BR	WP5000R	2 1/4" (57 mm)	WP17
WP5100C	WP5100G	WP5100BL	WP5100Y	WP5100OR	WP5100W	WP5100GN	WP5100B	WP5100BR	WP5100R	2 3/4" (70 mm)	WP17
WP5103C*	-	-	-	-	-	-	-	-	-	2 3/4" (70 mm)	WP17
WP5110C	WP5110G	WP5110BL	WP5110Y	WP5110OR	WP5110W	WP5110GN	WP5110B	WP5110BR	WP5110R	3 5/8" (92 mm)	WP17

### Double-Gang - Vertical

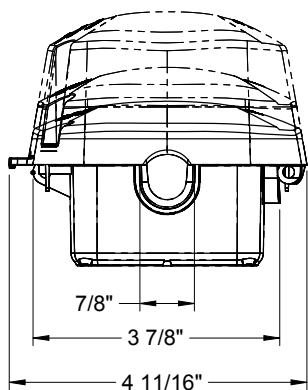
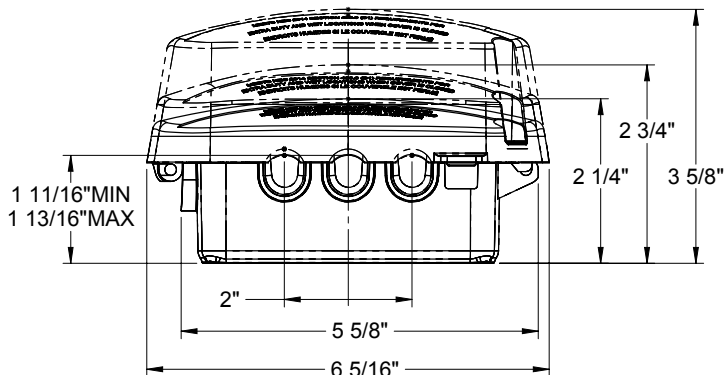
Clear/Gray	Gray	Black	Yellow	Orange	White	Green	Beige	Bronze	Red	Depth	Flexi-Guard Inserts
WP5220C	WP5220G	WP5220BL	WP5220Y	WP5220OR	WP5220W	WP5220GN	WP5220B	WP5220BR	WP5220R	2 1/4" (57 mm)	WP217
WP5221C	-	-	-	-	-	-	-	-	-	2 1/4" (57 mm)	WP101, WP102
WP5225C	WP5225G	WP5225BL	WP5225Y	WP5225OR	WP5225W	WP5225GN	WP5225B	WP5225BR	WP5225R	2 3/4" (70 mm)	WP217
WP5240C	WP5240G	WP5240BL	WP5240Y	WP5240OR	WP5240W	WP5240GN	WP5240B	WP5240BR	WP5240R	3 5/8" (92 mm)	WP217
WP5500C	WP5500G	-	WP5500Y	-	-	-	-	-	-	30/50 A**	WP107, WP213

\* Includes 3/0 adapter plate for 3" (76 mm) round box. \*\*30/50 A = 4 3/4" (121 mm) depth.

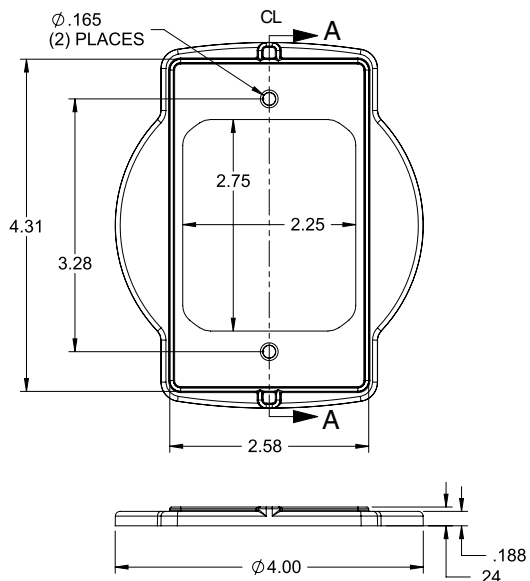
#### Accessories (detailed on pg 122)

Single-Gang Inserts	WP17
Double-Gang Inserts	WP217
Hinge Pin	WP10HP

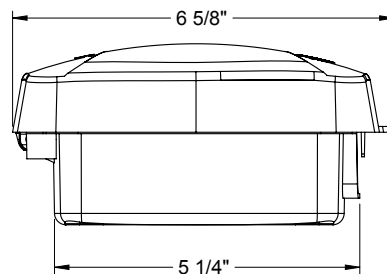
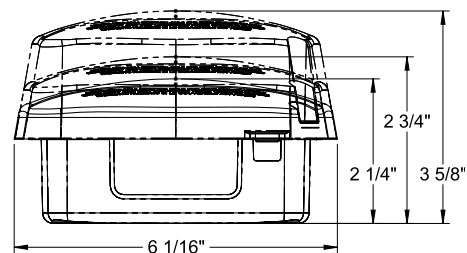
**Single-Gang**



**WP5103C**



**Double-Gang**



**Double-Gang  
30/50 A**

