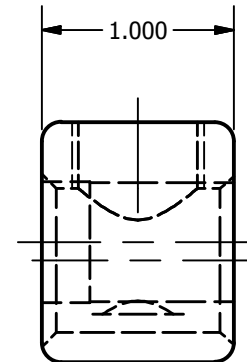
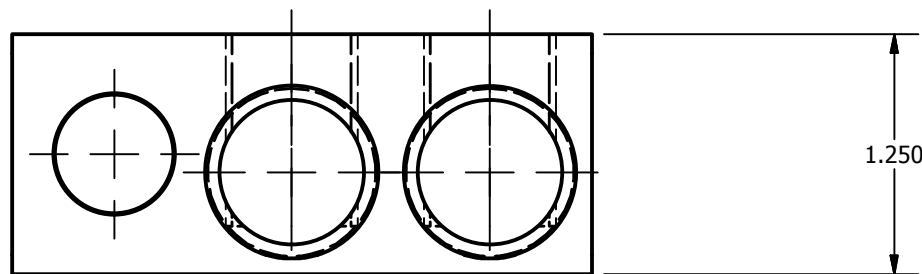
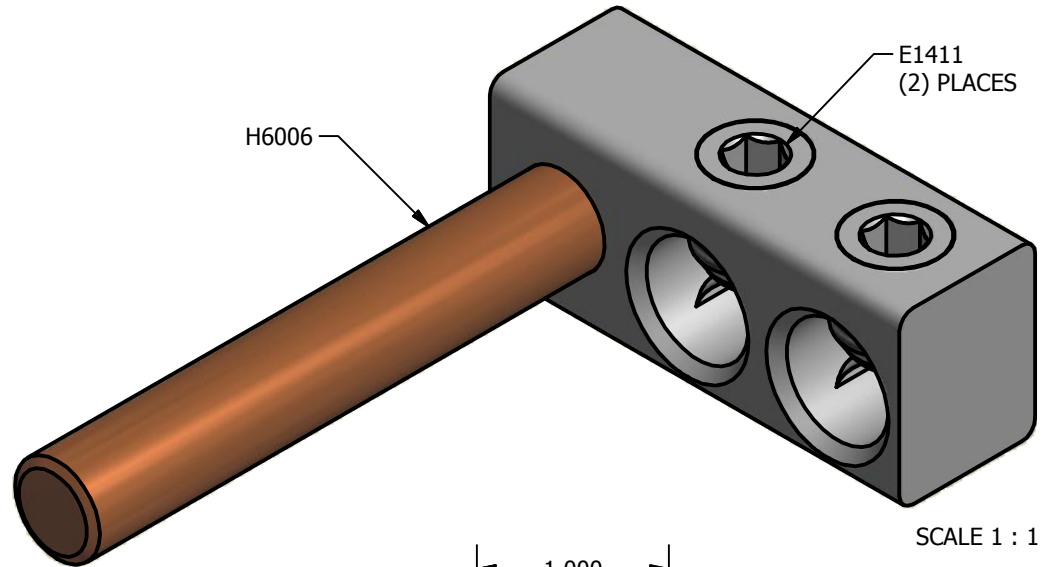
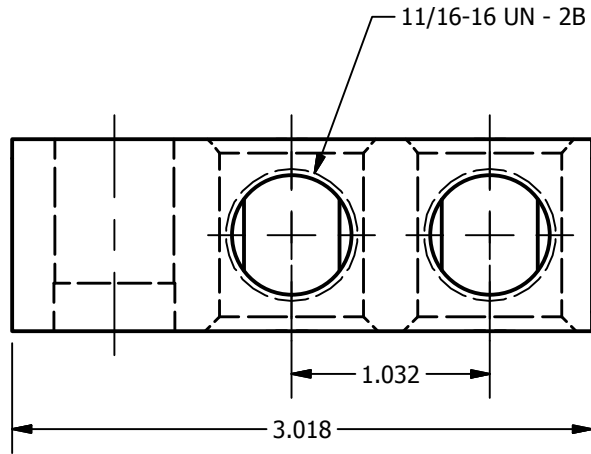


SCREW: E1411	MATERIAL: ALUMINUM, X1428	REV: G	ILSCO connections matter	
CAT. NO.: SEE CHART	PLATING: WAX	DRAWN BY: CLH	SCALE: 1:1	800-776-9775 www.ilSCO.com
INFORMATION SHEET: FORM 18	MARKING: SEE CHART FOR MARKING	DATE: 4/26/2010	SIZE: A	DWG. NO. N7867
				SHEET: 1 OF 1



CATALOG NUMBER	MARKING
PTT2-350, P	UTILCO, PTT-350, 350kcmil-10, AL-CU
PTT-2L-350-Z	ILSCO, PTT2L-350, 350kcmil-10, AL-CU