



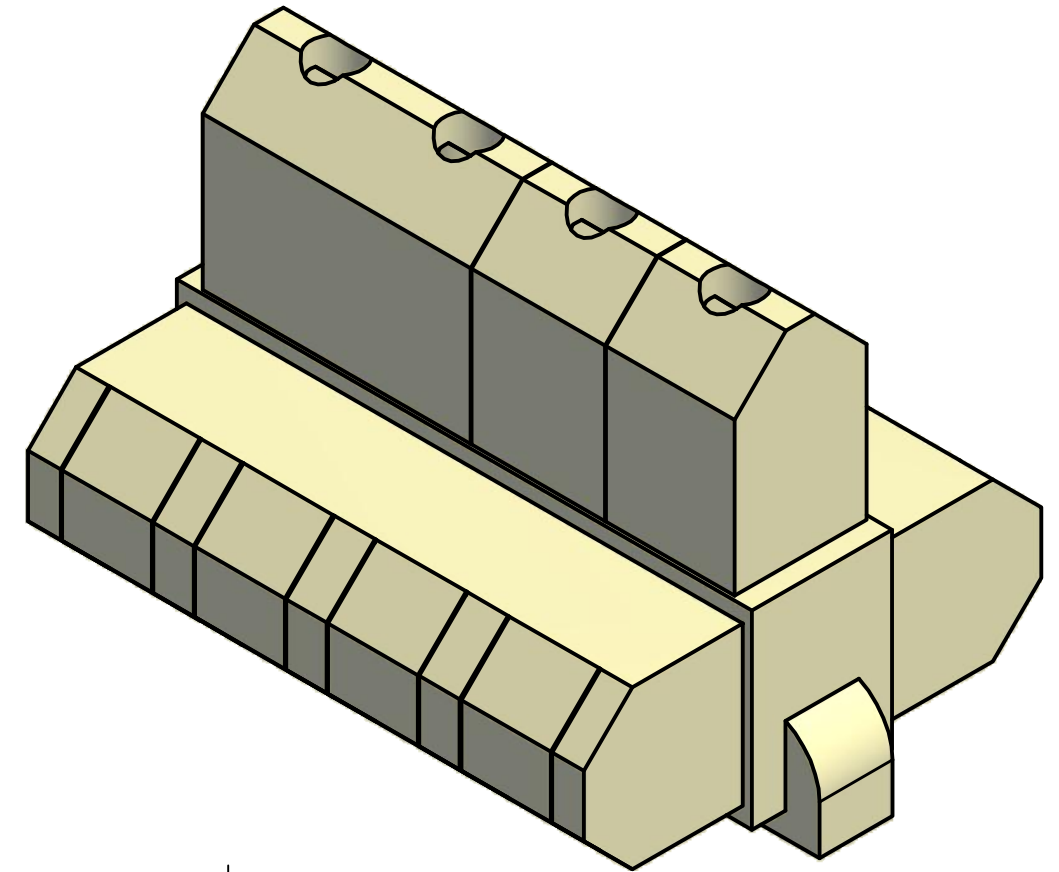
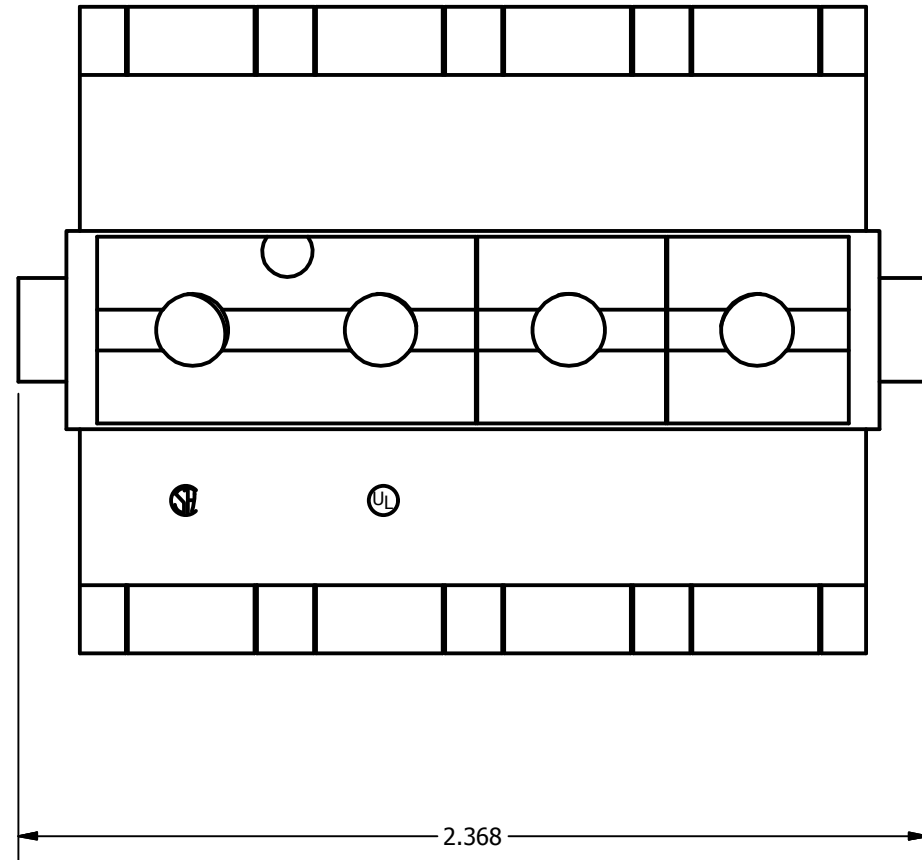
SCREW: E0713
CAT. NO.: PCT-4-4
INFORMATION SHEET: FORM 12

MATERIAL: NONE
PLATING: NONE
MARKING: 600 V, 90°, , , ILSCO, PCT-4-4,
AL9CU, 4-14, AWG

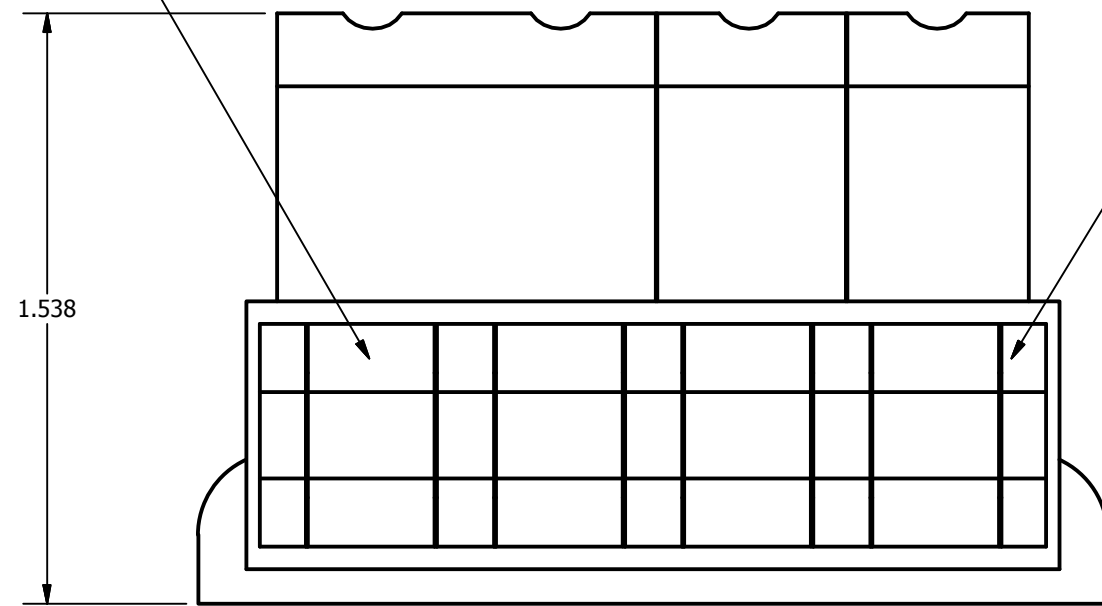
REV: C
DRAWN BY: NN
DATE: 6/2/2008
SCALE: 1:1
SIZE: B



DWG NO: **M2815**
SHEET: 1 OF 1



E0713
SCREW



N1270A04T

