
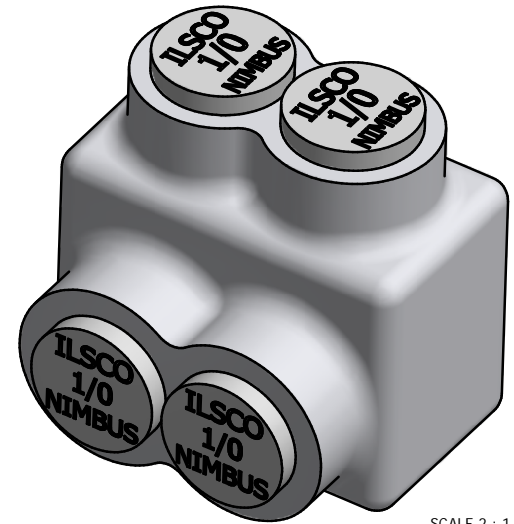
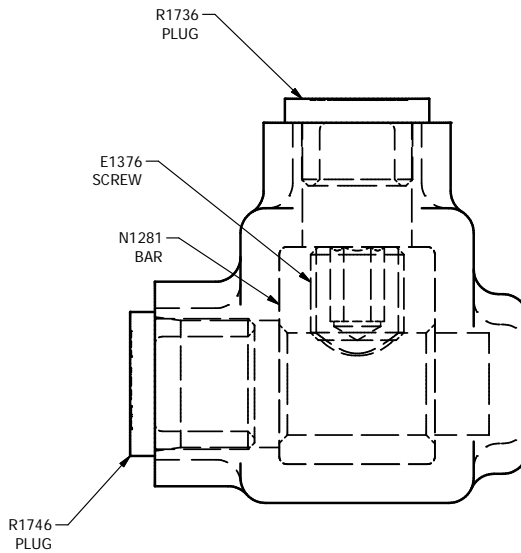
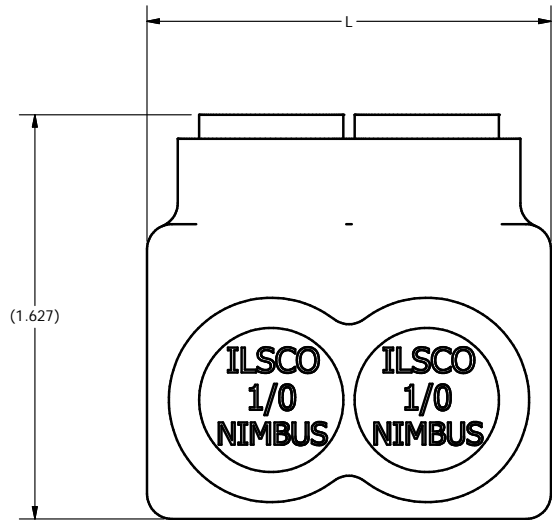
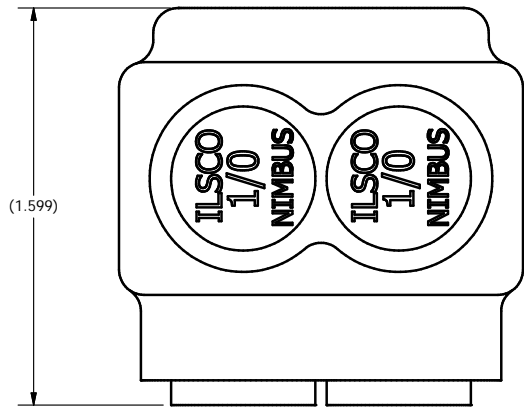


SCREW: E1736	MATERIAL: NONE	REV: M	 connections matter 800-776-9775 www.ilSCO.com		
CAT. NO.: SEE CHART	PLATING: NONE	DRAWN BY: CLH			SCALE:
INFORMATION SHEET: FORM 106	MARKING: NONE	DATE: 1/24/2008			SIZE: B
			DWG NO:	M2833	
			SHEET:	1 OF 1	



SCALE 2 : 1

CATALOG #	"L"	# OF SCREW PORTS
PBTS-2-1/0	1.623	2
PBTS-3-1/0	2.248	3
PBTS-4-1/0	2.873	4
PBTS-5-1/0	3.498	5
PBTS-6-1/0	4.123	6
PBTS-7-1/0	4.748	7
PBTS-8-1/0	5.373	8
PBTS-9-1/0	5.998	9
PBTS-10-1/0	6.623	10
PBTS-11-1/0	7.248	11
PBTS-12-1/0	7.873	12
PBTS-13-1/0	8.498	13
PBTS-14-1/0	9.123	14