

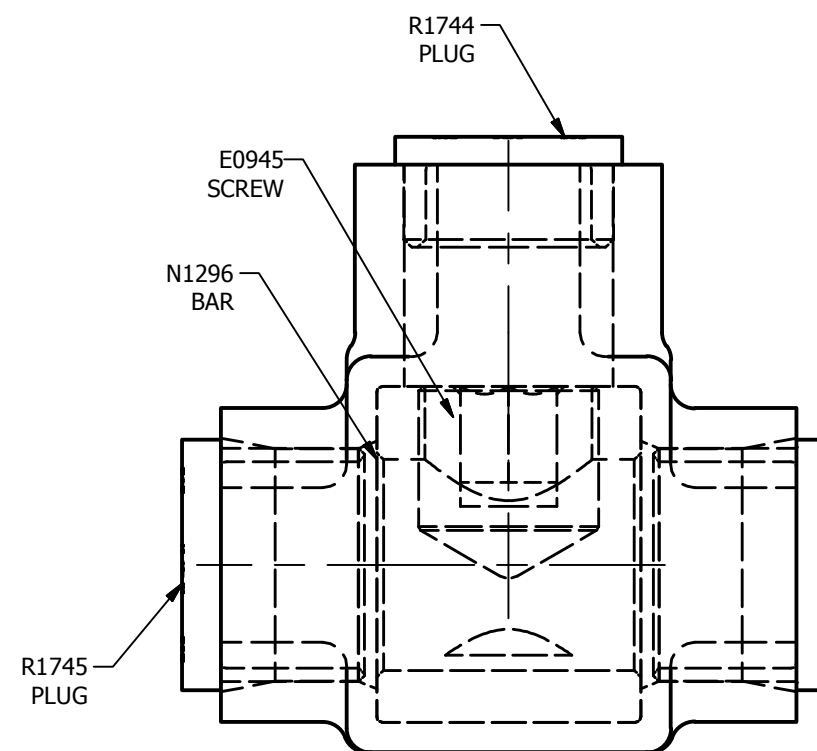
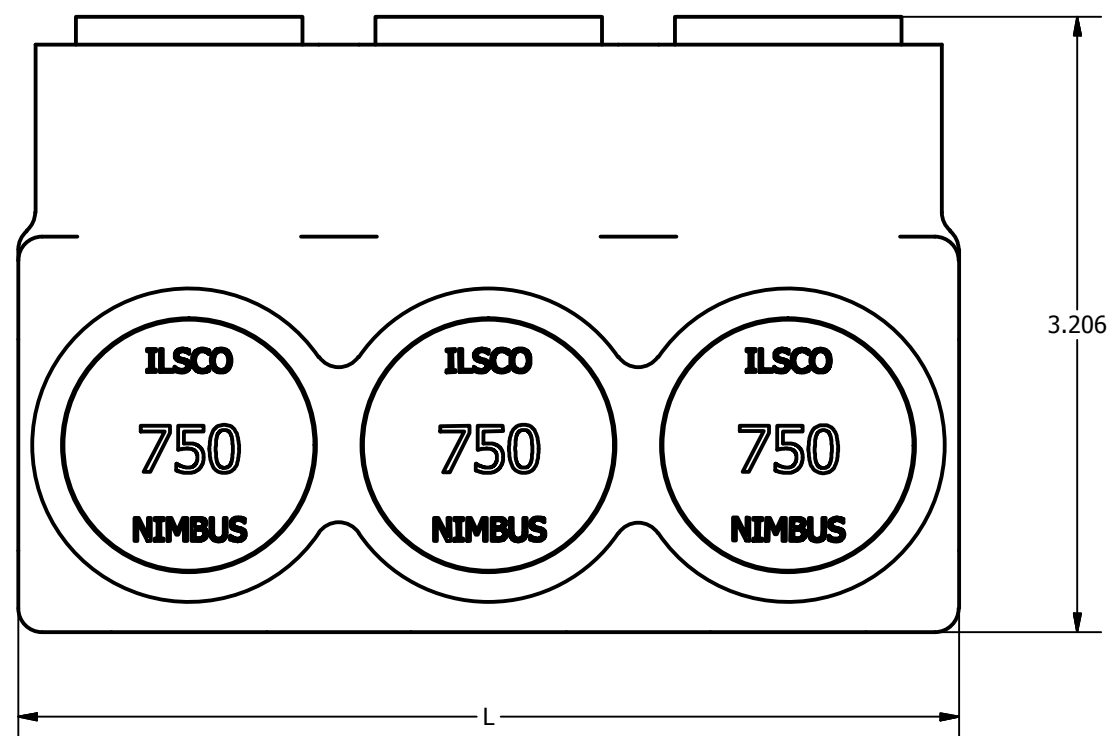
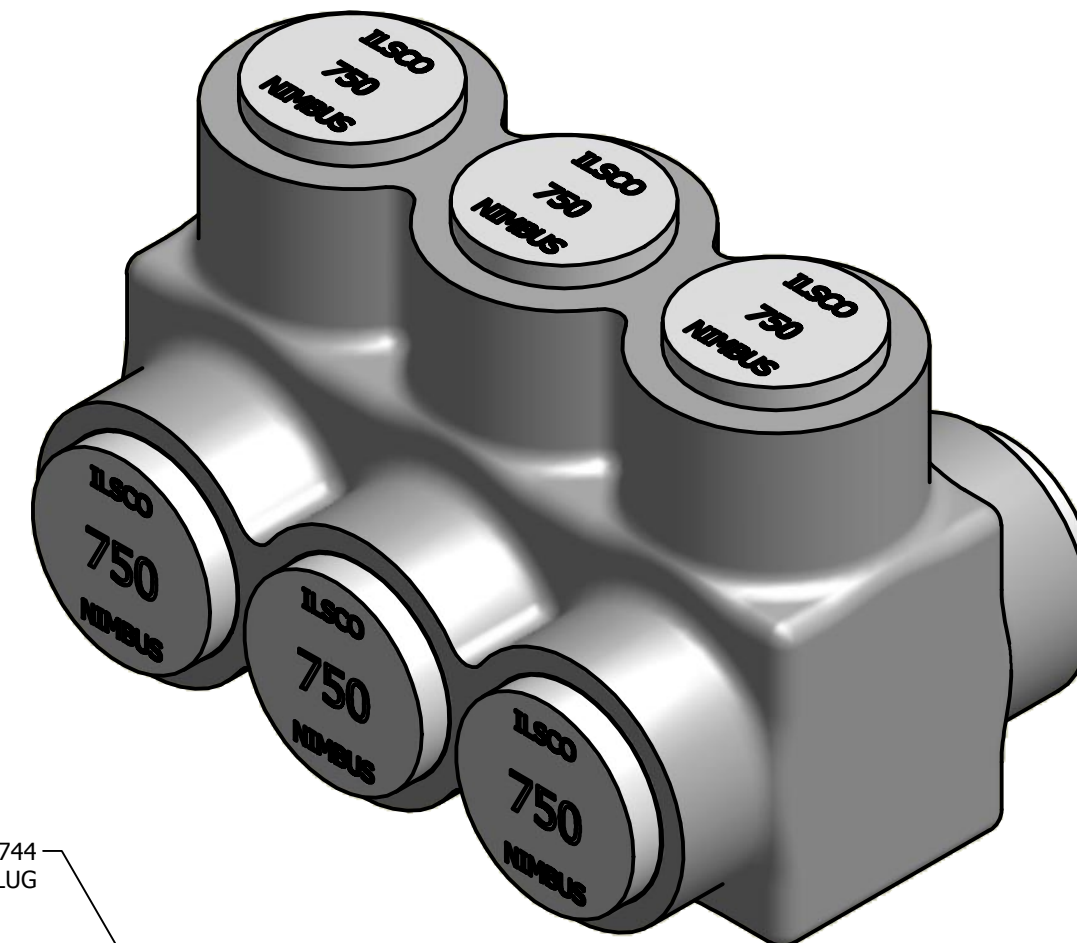
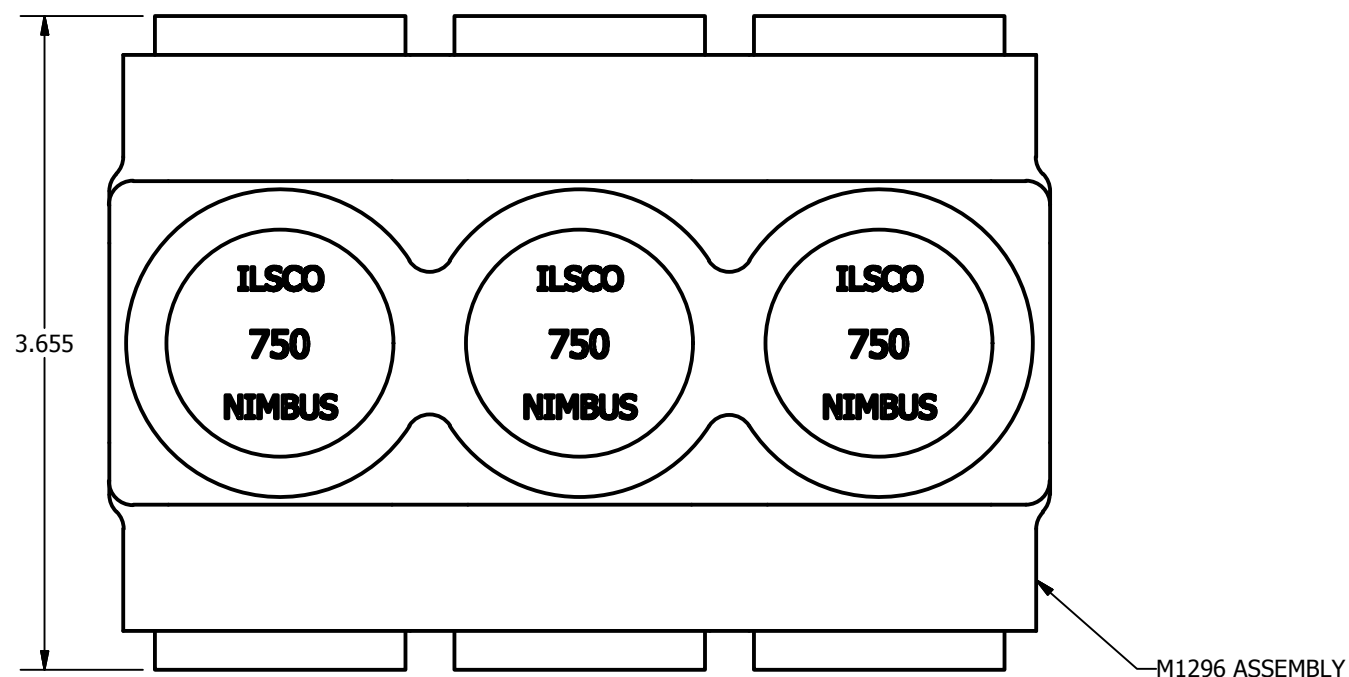
SCREW: E0945
 CAT. NO.: SEE CHART
 INFORMATION SHEET: FORM 1

MATERIAL: NONE
 PLATING: NONE
 MARKING: NONE

REV: Q
 DRAWN BY: CLH
 DATE: 1/22/2008
 SCALE:
 SIZE: B

ILSCO
 connections
 matter
 800-776-9775 www.ilSCO.com

DWG NO: **M1296**
 SHEET: 1 OF 1



CATALOG #	"L"	# OF SCREW PORTS
PBTD-2-750	3.028	2
PBTD-3-750	4.588	3
PBTD-4-750	6.148	4
PBTD-5-750	7.708	5
PBTD-6-750	9.268	6
PBTD-7-750	10.828	7
PBTD-8-750	12.388	8
PBTD-9-750	13.948	9
PBTD-10-750	15.508	10
PBTD-11-750	17.068	11
PBTD-12-750	18.628	12
PBTD-13-750	20.188	13
PBTD-14-750	21.748	14