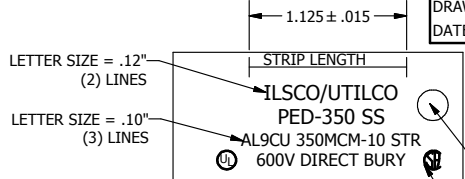
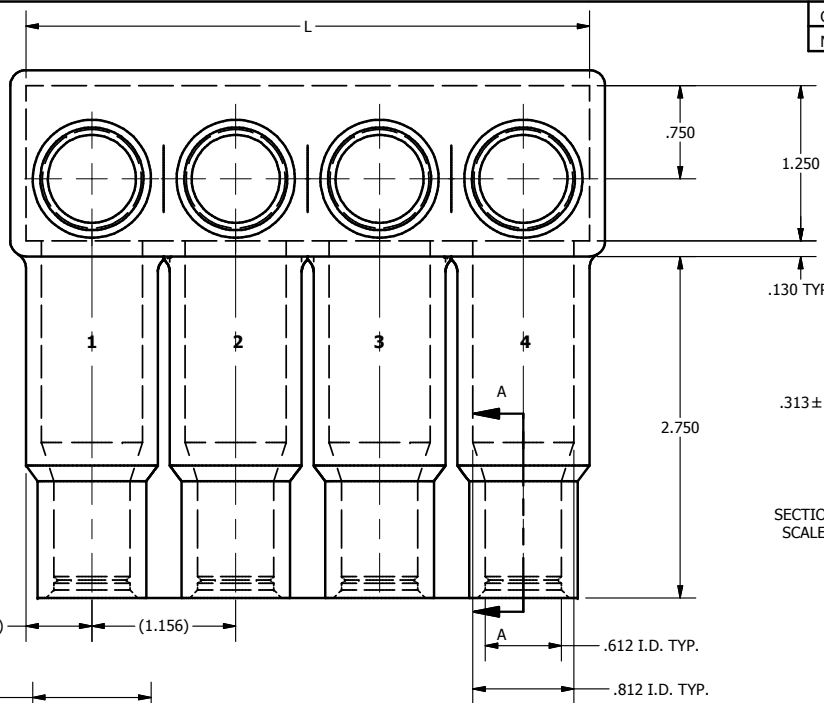


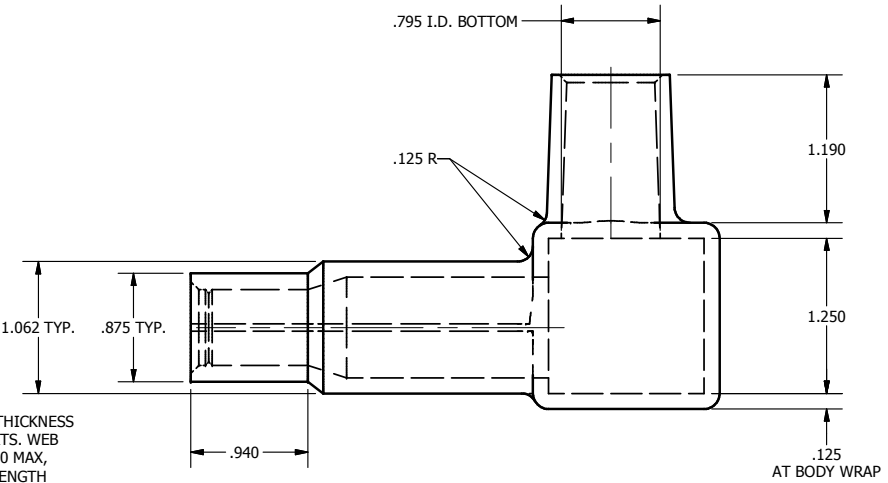
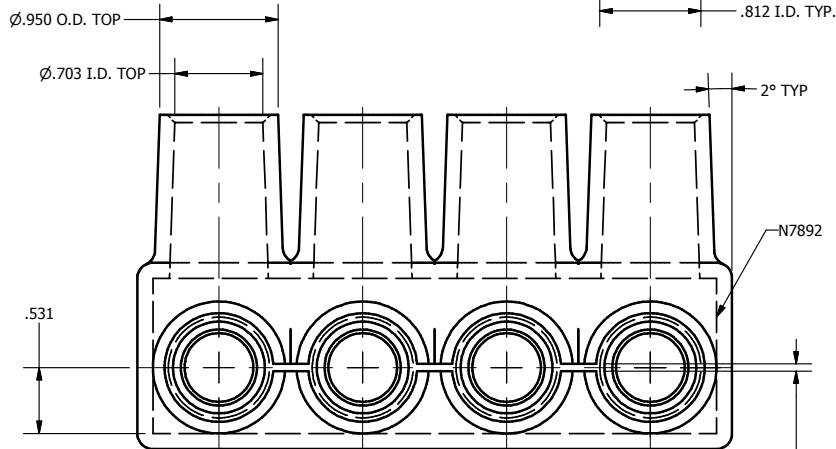
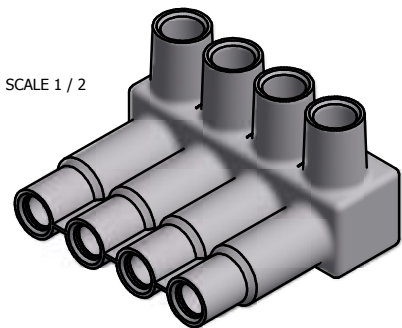
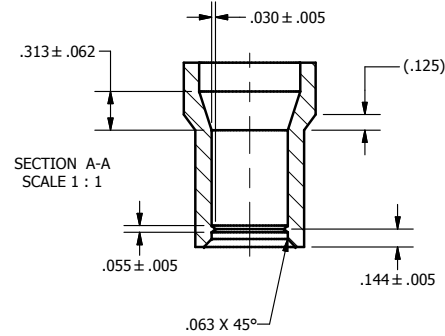
CAT. NO.:	TOLERANCES-UNLESS OTHERWISE SPECIFIED	DWG. NO.	-03 -06	
MASS:	2 PL. DEC. ±.015 TRUE CL. ±.015	M7451	-04 -08	
	3 PL. DEC. ±.015 ANGLES ±1	SHEET 1 OF 4	-05 -09	
	DRAWN BY: CLH	SCALE: 3:1		
	DATE: 9/16/2008	SIZE: B		

REV.	DESCRIPTION
K	E6096C00T WAS E6096C00W ECN 27112 CLH 03-10-10

Cat #: PED3-350SS-DB
 PED4-350SS-DB
 PED5-350SS-DB
 PED6-350SS-DB
 PED8-350SS-DB



ALL LETTERS AND FIGURES
 .015 MIN HEIGHT AND
 .015 MIN WIDTH



ASSY	BAR	L	OUTLETS
M7451B03W	N7892C03W	3.375	3
M7451B04W	N7892C04W	4.531	4
M7451B05W	N7892C05W	5.688	5
M7451B06W	N7892C06W	6.844	6
M7451B08W	N7892C08W	9.156	8
M7451B09W	N7892C09W	10.313	9

.187/.040 WEB THICKNESS
 BETWEEN PORTS. WEB
 LENGTH 2.750 MAX,
 1.810 MIN LENGTH