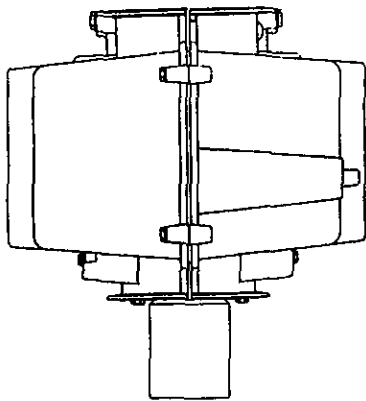


INSTALLATION INSTRUCTIONS FOR SUPERBAY I BALLAST HOUSING SECTION



A complete fixture consists of a ballast housing section and a reflector assembly. Use accompanying chart for approved fixture assembly combinations.

Please read thoroughly before installing.

WARNINGS

- Install, operate, and maintain to meet all applicable codes.
- Selected ballast voltage must match supply voltage.
- Protect all unused lead ends with approved insulators.
- Handle and secure so fixture cannot fall.
- Disconnect supply power before installation and servicing.
- Safety chain or cable recommended in areas where fixture could be struck.

GENERAL INFORMATION

- Minimum projection of supply leads should be 6 in. (153 mm).
- Conduit entries are sized or tapped, 3/4-14 NPS.
- Make sure supply wire temperature rating meets what is required on the ballast housing label.

QUICK-ON (QO) PENDANT MOUNTING - FIG. 1

1. Thread 3/4" locknut (1) into 3/4" rigidly mounted vertical conduit (2).
2. Place QO hanger (3) up onto conduit with formed sides down.
3. Thread 3/4" steel bushing (4) fully onto conduit under the QO hanger to support and retain it in place.
4. Align edges (5) of QO hanger with the room walls.
5. Secure QO hanger by jamming locknut down on QO hanger top.
6. Pull supply wires and ground.

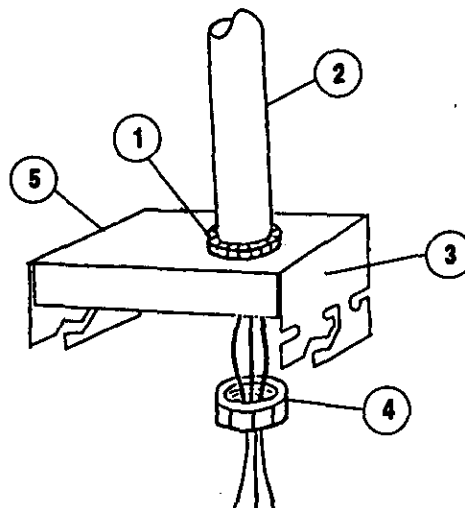


FIGURE 1
FIGURA 1

SLICK-ON (SO) PENDANT MOUNTING - FIG. 2

1. Thread SO hanger (6) onto 3/4" rigidly mounted vertical conduit (2).
2. Align edges (5) of SO hanger with room walls.
3. Tighten set screw threaded into inside hub (7) to secure hanger in place.
4. Pull supply wires and ground.
5. Store covers (8) across turned in ledges; tape in place, if necessary.

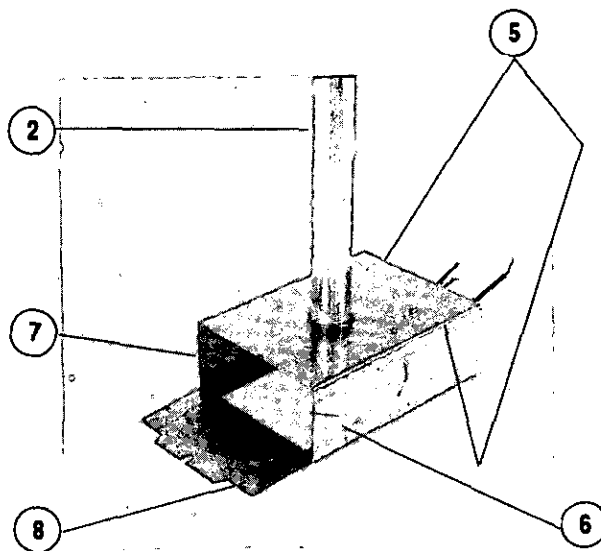


FIGURE 2
FIGURA 2

SLICK-ON FLAT CEILING OR JUNCTION BOX MOUNTING - FIG. 3

A. Junction Box Application

1. Attach SO hanger (6) to a securely mounted 3 1/2" bolt circle junction box using four screws (not provided) placed through the small KO holes (9) opened in the top.
2. Complete by instructions 6 and 7 below.

B. Flat Ceiling Application

1. Place and align SO hanger (6) against a suitable mounting surface.
2. Drill four holes into surface using the KO holes (9) opened in the top as a template.
3. Install suitable fasteners (not provided) to secure hanger in place on the surface.
4. Attach 3/4" conduit to the large KO hole(s) (10) in the side(s) of the SO hanger. For through wire application, attach an additional conduit exiting from the other KO hole.
5. Use 3/4" locknuts and bushings (both not provided) to secure conduit in place.
6. Pull supply wires and ground.
7. Store covers (8) across turned in ledges; tape in place, if necessary.

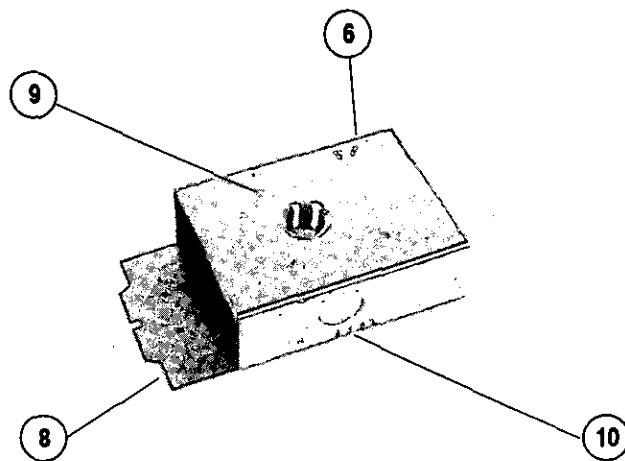


FIGURE 3
FIGURA 3



© Hubbell Lighting, Inc.
A Subsidiary of Hubbell Incorporated
2000 Electric Way
Christiansburg, VA 24073-2500
(540) 382-6111
FAX (540) 382-1526

268-1013-9902

CH