

NRG300B Series Wallpack

WARNING

DISCONNECT POWER DURING INSTALLATION AND BEFORE SERVICING. READ ALL INSTRUCTIONS COMPLETELY BEFORE STARTING INSTALLATION.

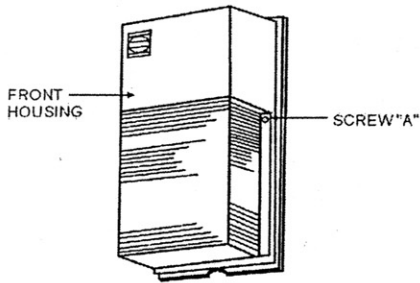


FIG.1

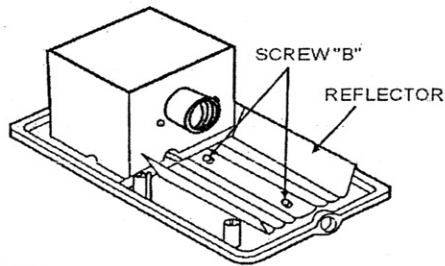


FIG.2

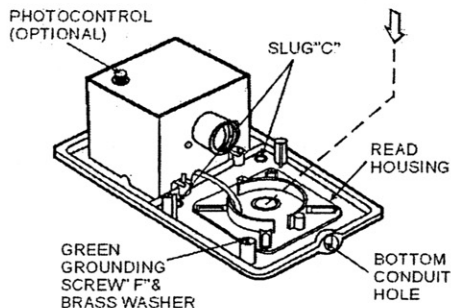


FIG.3

INSTALLATION:

1. REMOVE FRONT HOUSING (Fig.1)
Loosen two (2) screws "A". Remove front housing.
2. REMOVE REFLECTOR (Fig.2)
Loosen two screws "B" enough to allow reflector to slide upward
Until keyhole in reflector releases two screws "B". Remove reflector
3. MOUNTING WITH TWO (2) BOLTS (Fig.3)
Knock out two (2) plugs "C" in rear housing. Mount with two (2) lag screws.
4. MOUNTING ON OUTLET BOX
Knock out appropriate holes around outlet hole in rear housing.
Fasten the rear housing to the outlet box using the screws supplied with the outlet box.
5. ELECTRICAL CONNECTIONS.
Make wiring connections by connecting white fixture wire to white Service wire, 120volt fixture wire (which may be black) to black Service wire. Make sure that there are no loose wire strands sticking
Out of wire nuts. Connect the ground lead from the service by hooking it around the green grounding screw "F" between the screw head and the brass terminal washer. Tighten the screw securely.
6. INSTALL LAMP
Replace reflector and place lamp into lamp socket, and install lamp
Securely into lamp socket until it seals firmly.
7. REPLACE FRONT HOUSING.
Replace front housing by reversing procedure used to remove it.

BOTTOM CONDUIT HOLE

With front housing and reflector off, either drill or tap out recessed indentation in bottom of rear housing. Pull service wires through. Bottom of conduit hole and make connections under wiring reflector.
Replace reflector and front housing reversing procedures used to remove.

IMPORTANT:

To weather-proof your outdoor installation, be sure to seal all holes in fixture housing, (Mounting, conduit, plugs, photo controls, etc) with silicone sealant.

TROUBLE SHOOTER-CHECK LIST

If Light Does Not Work:
Check Your Power Source
Check Electrical Connections

Check If Lamp Burned Out.
Check To Insure Proper Seating Of Lamp