

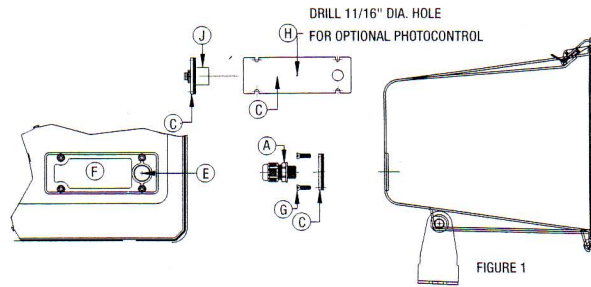
INSTALLATION INSTRUCTIONS FOR MINILITER® V

WARNINGS:

- Disconnect power before installation or servicing.
- Install, operate, and maintain to meet all applicable code.
- Labeled ballast voltage must match supply voltage.
- Protect all wiring connections with approved insulators.
- Ensure fixture and wiring are properly grounded.

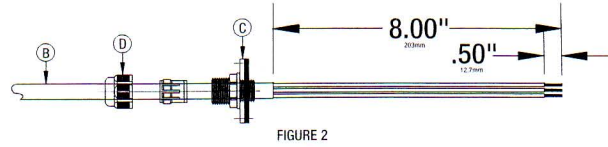
MOUNTING YOKE MODEL (MHS-Y) See Figure 1

1. Use a minimum of two 3/8" diameter bolts or one 3/4" diameter bolt for mounting.
2. Securely tighten all retaining hardware after aiming.



WIRING YOKE MODEL FIXTURES (MHS-Y)

1. Prepare supply cord as shown in figure 2. Cord must be rated for minimum 90°C 16/3 SOW-A.
2. Install strain relief (A) to cord (B) as shown. See Fig. 2. Engage strain relief (A) to cover (C). Tighten to ensure gasket seal is in contact with cover (C). Then tighten compression cap (D) to secure cord.
3. Insert supply cord (B) to housing hole (E) then pull end of cord back out through opening (F).
4. Make wiring connections in accordance with the local and National Electrical Codes.



CAUTION: FIXTURE VOLTAGE MUST MATCH SUPPLY VOLTAGE

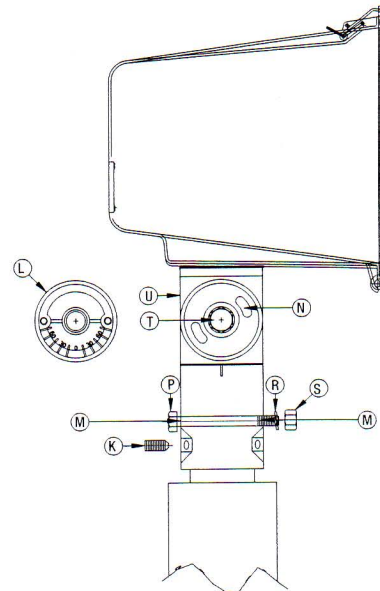
5. Ensure that all unused leads are properly insulated.
6. Install cover (C) to housing using (4) screws provided.

OPTIONAL PHOTOCONTROL (PBT SERIES) FIELD INSTALLATION:

1. Drill a 11/16" diameter hole using dimple (H) on cover (C) as guide.
2. Mount photocontrol (J) on the inside of cover according to directions supplied with photocontrol. Align body of photocontrol parallel with cover.
3. Install cover (C) to housing using (4) screws provided.

MOUNTING AND WIRING KNUCKLE MODEL FIXTURES (MHS-K)

1. Insert set screws (K) in the (4) tapped holes.
2. Remove wireway screws and cover (L).
3. Place assembly on pole tenon, and orient luminaire in desired direction.
4. Tighten set screws.
5. Drill a 13/32" diameter hole through tenon at holes (M).
6. Remove assembly and pull line leads out of the pole tenon allowing 8" free wires. Use minimum 90°C wire.
7. Place assembly back on tenon while guiding line leads through wire passage (N).
8. Tighten set screws (K) and install through bolt (P), lockwasher (R) and nut (S). Adjust the set screws as needed for leveling.



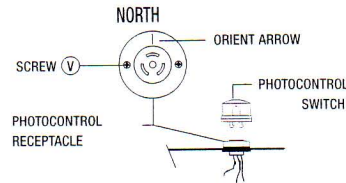
CAUTION: ALWAYS SUPPORT THE FIXTURE HOUSING BEFORE ATTEMPTING TO LOOSEN BOLT (T).

9. Make vertical adjustments by loosening bolt (T) and rotating knuckle (U). Tighten bolt secure.
10. Make wiring connections according to the local and National Electrical Codes.
11. Bundle the wires and wrap electrical tape around.

TWISTLOCK PHOTOCONTROL RECEPTACLE (SEE FIG. 4)

1. Loosen two screws (V) but do not remove.
2. Rotate receptacle pointing arrow towards north.
3. Tighten back the (2) screws (V).

NOTES: LUMINAIRE WILL NOT OPERATE WITHOUT SHORTING CAP OR PHOTOCONTROL SWITCH INSTALLED. DO NOT LEAVE RECEPTACLE UNCOVERED TO THE ELEMENTS.



NOTE: The luminaire will not operate without a photocontrol or shorting cap in place. Do not leave receptacle open to the elements.

ADJUSTING PHOTOCONTROL RECEPTACLE (OPTIONAL)

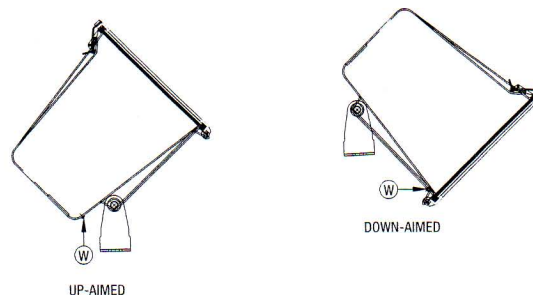
FIGURE 4

LUMINAIRE MARKED IP65:

If the luminaire IS marked IP65 do not remove an of the drain hole screw plugs shown as item (W).

LUMINAIRE NOT MARKED IP65:

- A. For up-aimed fixtures - remove the (2) bottom screws to serve as drain holes.
- B. For down-aimed fixtures - remove one drain plug screw (W).



Outdoor Lighting

Hubbell Lighting, Inc.
701 Millennium Blvd.
Greenville, SC 29607

www.hubbell-ltg.com

PT. NO.

93009532