

# Options & Accessories

## Mounting Accessories

INDUSTRIAL

(order separately) Plugs are Twist-Lock® type as manufactured by Hubbell Wiring Devices

Catalog #	Description
BLA-C4HLP-1	4' Cord, hook/loop and 120V 20A Twist-Lock® plug
BLA-C4HLP-4	4' Cord, hook/loop and 277V 20A Twist-Lock® plug
BLA-C4HLP1-15A	4' Cord, hook/loop and 120V 15A Twist-Lock® plug
BLA-C4HLP4-15A	4' Cord, hook/loop and 277V 15A Twist-Lock® plug
HOOKLOOP <sup>1</sup>	Hook - cast aluminum 3/4" NPS male; includes safety screw; converts to loop with strap included
H34-AL34 <sup>1</sup>	Swivel aligner - complete with box for thru wiring; all hubs tapped for 3/4" conduit - 25° swivel
PHE-XXX <sup>1</sup>	Die-cast aluminum power hook with 20A Twist-Lock® receptacle - ceiling or 3/4" pendant mount, with 3/4" side entry for thru wiring 15" Cord, Hook/Loop & Twist-Lock® plug (20 amp) included (for voltage replace XXX with 120, 208, 240, 277, 347, or 480)
PHE-XXX-L <sup>2</sup>	As above, except cord, loop & plug not included (for voltage replace XXX with 120, 208, 240, 277, 347, or 480)
PHS-XXX	Specification grade power hook - 30" cord dead front plug & receptacle with isolated wiring chamber; ceiling or 3/4" pendant mount, with 3/4" side entry for thru wiring; special safety feature locks hook/loop onto bottom hook (for voltage replace XXX with 120, 208, 240, 277, 347, or 480)
PHS-XXX-L <sup>1,3</sup>	Specification grade power hook - dead front receptacle with isolated wiring chamber; ceiling or 3/4" pendant mount, with 3/4" side entry for through wiring; cord, hook/loop and dead front plug not included, must be ordered with luminaire (for voltage replace XXX with 120, 208, 240, 277, 347, or 480)
SY3-XXX-2	Rugged steel power hook with 20A Twist-Lock® Receptacle - pendant or surface mount, 3/4" thru wiring capability; 30" cord, hook/loop and plug (20 amp) included (for voltage replace XXX with 120, 208, 240, 277, 347, or 480)
SY3-XXX-L <sup>2</sup>	Porta-hook includes integral mounting hook and 20A Twist-Lock® receptacle; 3/4" knockouts on top and two sides; cord, hook/loop and plug (20 amp) not included (for voltage replace XXX with 120, 208, 240, 277, 347, or 480)

<sup>1</sup> CSA certified

<sup>2</sup> Cord, hook/loop and plug must be added to fixture as option, example: -C2HLP4

<sup>3</sup> Cord, hook/loop and dead front plug must be added to fixture as option, example: -DFP4

NOTE: Cord used with above accessories is 16/3 SOWA 105°C NEMA configuration

See page 445 for detailed drawings.

## Superbay Fixture Temperature Information

	BALLAST TANK																
	BL-150P-X	BL-150S-X	BL-175P-X	BL-200P-X	BL-250P-X	BL-250S-X	BL-320P-X	BL-350P-X	BL-400P-X	BL-400S-X	BL-450P-X	BL-1000H-X	BL-1000P-X	BL-1000S-X			
	ENCLOSED - SUITABLE FOR OPERATION IN AMBIENT TEMPERATURES NOT EXCEEDING THOSE NOTED BELOW														BOTTOM ENCLOSURES		
OPTIC	BL-AL	55°C	55°C	55°C	55°C	55°C	55°C	55°C	55°C	55°C	55°C	55°C	55°C	55°C			BLLR19
	BL-BC	55°C	55°C	55°C	55°C	55°C	55°C	55°C	55°C	55°C	55°C	55°C	55°C	55°C			BLLR14
	BL-BI	55°C	55°C	55°C	55°C	55°C	55°C	55°C	55°C	55°C	55°C	55°C	55°C	55°C			BLLR14
	BL-SD	55°C	55°C	55°C	55°C	55°C	55°C	55°C	55°C	55°C	55°C	55°C	55°C	55°C			BLLR19
	BL-SU	55°C	55°C	55°C	55°C	55°C	55°C	55°C	55°C	55°C	55°C	55°C	55°C	55°C			BLLR19
	BL-OU60														40°C	40°C	CHENC23
	HGE-16	55°C	55°C	55°C	55°C	55°C	55°C	55°C	55°C	55°C	55°C	55°C	55°C	55°C	40°C	40°C	HGENC16
	HGE-22	55°C	55°C	55°C	55°C	55°C	55°C	55°C	55°C	55°C	55°C	55°C	55°C	55°C	40°C	40°C	HGENC22
	HGO-16	55°C	55°C	55°C	55°C	55°C	55°C	55°C	55°C	55°C	55°C	55°C	55°C	55°C	40°C	40°C	HGENC16
	HGO-22	55°C	55°C	55°C	55°C	55°C	55°C	55°C	55°C	55°C	55°C	55°C	55°C	55°C	40°C	40°C	HGENC22
	SW	55°C	55°C	55°C	55°C	55°C	55°C	55°C	55°C	55°C	55°C	55°C	55°C	55°C			INCLUDED
	EG	55°C	55°C	55°C	55°C	55°C	55°C	55°C	55°C	55°C	55°C	55°C	55°C	55°C			INCLUDED
	LB1	55°C	55°C	55°C	55°C	55°C	55°C	55°C	55°C	55°C	55°C	55°C	55°C	55°C			INCLUDED
	LM	55°C	55°C	55°C	55°C	55°C	55°C	55°C	55°C	55°C	55°C	55°C	55°C	55°C			INCLUDED
	BL-PA2	40°C	40°C	40°C	40°C	40°C	40°C	40°C	40°C	40°C	40°C	40°C	40°C	40°C			BLPKENC - PA2CDL - PA2DLR
	BL-GM22	55°C	55°C	55°C	55°C	55°C	55°C	55°C	55°C	55°C	55°C	55°C	55°C	55°C			WA2ENC - WA22CDL - WA22DLR
	BL-WA22	55°C	55°C	55°C	55°C	55°C	55°C	55°C	55°C	55°C	55°C	55°C	55°C	55°C			WA2ENC - WA22CDL - WA22DLR
BL-WW22	55°C	55°C	55°C	55°C	55°C	55°C	55°C	55°C	55°C	55°C	55°C	55°C	55°C			WA2ENC - WA22CDL - WA22DLR	

	BALLAST TANK														
	BL-150P-X-EX-X	BL-150S-X	BL-175P-X-EX-X	BL-200P-X-EX-X	BL-250P-X-EX-X	BL-250S-X-X	BL-320P-X-EX-X	BL-350P-X-EX-X	BL-400P-X-EX-X	BL-400S-X-X	BL-450P-X-EX-X	BL-1000H-X-EX-X	BL-1000S-X-X		
	OPEN - SUITABLE FOR OPERATION IN AMBIENT TEMPERATURES NOT EXCEEDING THOSE NOTED BELOW														
OPTIC	BL-AL	55°C	55°C	55°C	55°C	55°C	55°C	55°C	55°C	55°C	55°C	55°C	55°C		
	BL-BC	55°C	55°C	55°C	55°C	55°C	55°C	55°C	55°C	55°C	55°C	55°C	55°C		
	BL-BI	55°C	55°C	55°C	55°C	55°C	55°C	55°C	55°C	55°C	55°C	55°C	55°C		
	BL-SD	55°C	55°C	55°C	55°C	55°C	55°C	55°C	55°C	55°C	55°C	55°C	55°C		
	BL-SU	55°C	55°C	55°C	55°C	55°C	55°C	55°C	55°C	55°C	55°C	55°C	55°C		
	BL-OU60													40°C	40°C
	HGE-16	55°C	55°C	55°C	55°C	55°C	55°C	55°C	55°C	55°C	55°C	55°C	55°C	40°C	
	HGE-22	55°C	55°C	55°C	55°C	55°C	55°C	55°C	55°C	55°C	55°C	55°C	55°C	40°C	
	HGO-16	55°C	55°C	55°C	55°C	55°C	55°C	55°C	55°C	55°C	55°C	55°C	55°C	40°C	
	HGO-22	55°C	55°C	55°C	55°C	55°C	55°C	55°C	55°C	55°C	55°C	55°C	55°C	40°C	
	BL-PA2	55°C	55°C	55°C	55°C	55°C	55°C	55°C	55°C	55°C	55°C	55°C	55°C		
	BL-GM22	55°C	55°C	55°C	55°C	55°C	55°C	55°C	55°C	55°C	55°C	55°C	55°C		
	BL-WA22	55°C	55°C	55°C	55°C	55°C	55°C	55°C	55°C	55°C	55°C	55°C	55°C		
	BL-WW22	55°C	55°C	55°C	55°C	55°C	55°C	55°C	55°C	55°C	55°C	55°C	55°C		
	BL-WA25	55°C	55°C	55°C	55°C	55°C	55°C	55°C	55°C	55°C	55°C	55°C	55°C	25°C	25°C

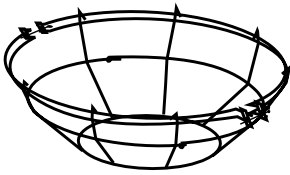


Industrial Lighting

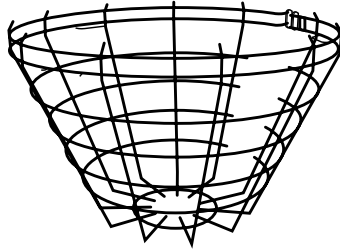
# Options & Accessories

## Mounting Accessories Details

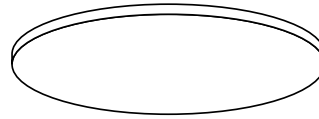
INDUSTRIAL



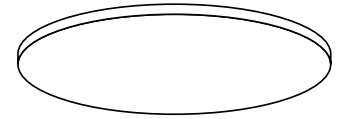
**FIG. 14**  
**WG-XX**  
WIRE GUARD FOR HIGHBAY REFLECTORS  
TRIBAY/SUPERBAY



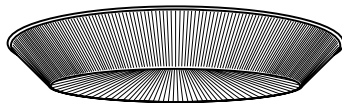
**FIG. 15**  
**SW-WG**  
SUPERWATT® FULL WIRE GUARD WITH SAFETY CHAIN



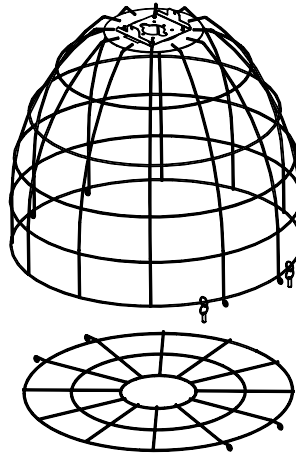
**FIG. 16**  
**BL-LR**  
TEMPERED GLASS LENS  
SUPERBAY



**FIG. 17**  
**-ENC**  
TEMPERED GLASS LENS  
FLAT ACRYLIC BOTTOM ENCLOSURE  
TRIBAY/SUPERBAY

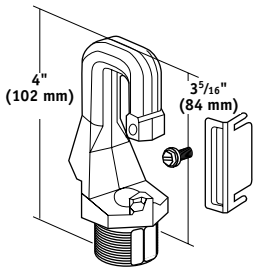


**FIG. 18**  
**DLR/DLR2**  
DROP LENS REFRACTOR  
TRIBAY/SUPERBAY

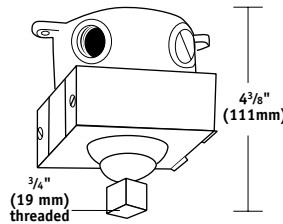


**FIG. 19**  
**FWG**  
FULL WIRE GUARD  
FOR ACRYLIC REFLECTORS  
TRIBAY/SUPERBAY

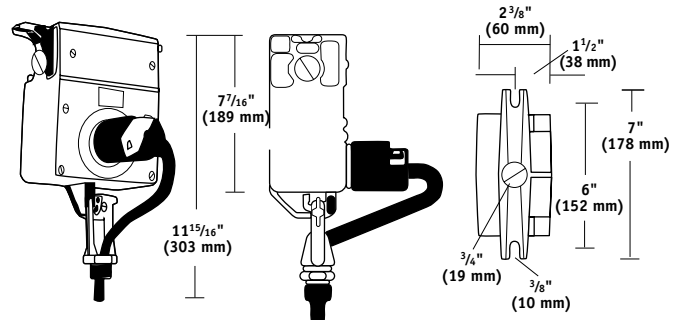
**HG-FWG**  
FULL WIRE GUARD  
FOR GLASS REFLECTORS  
TRIBAY/SUPERBAY



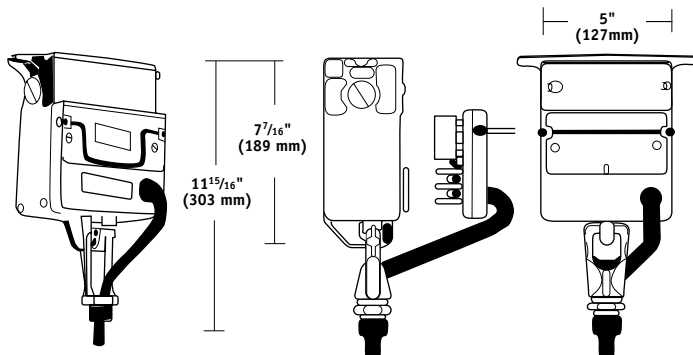
**HOOKLOOP**



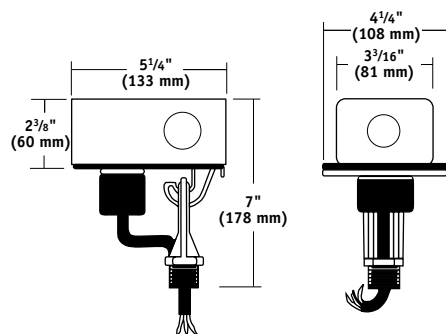
**H34-AL34**  
SWIVEL ALIGNER



**PHE-XXX**  
TWIST-LOCK RECEPTACLE POWER HOOK



**PHS-XXX**  
SPECIFICATION GRADE POWER HOOK



**SY-3**



Industrial Lighting