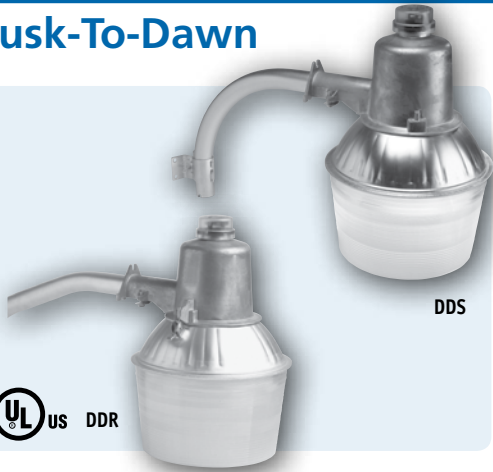


DD Series

Dusk-To-Dawn

HID DUSK-TO-DAWN



DDS



- The DD Series offers HID and CFL energy savings and safety/security lighting
- The Type V acrylic refractor provides wide, uniform coverage
- Units are designed in distributor or utility versions, see listings below
- Kits include 1 1/4" pipe arm, lamp, 120V photocontrol and mounting hardware, except for DD-70S, which is wall mount as shown
- PSMH and CFL units offer "white" light option; CFL unit is recommended for use in warmer climates; Minimum starting for CFL is 0°F; Nominal light output is at 77°F ambient
- Distributor kits are listed to UL1598 for use in wet locations (utility versions not listed)

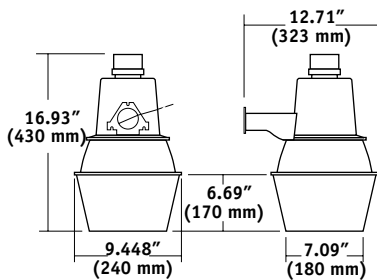
STOCK ORDERING INFORMATION

Catalog Number	Wattage	Source	Optic Dia.	Lamp	Weight lbs. (kg)	PKG. CODE
Distributor kits - 24" curved aluminum arm, UL listed. Screw-on optics						
High Pressure Sodium						
DDS-100S	100	HPS	12"	Med. Clear	4.5 (2.0)	FCC
DDS-150S	150	HPS	12"	Med. Clear	5.0 (2.3)	FCC
Pulse Start Metal Halide						
DDS-100P	100	PSMH	12"	Med. Clear	6.0 (2.7)	FCC
DDS-100PL	100	PSMH	12" with latches	Med. Clear	6.0 (2.7)	BC
Compact Fluorescent						
DDS-65F	65	CFL	12"	Med. Screw Base	4.0 (1.8)	FCC
Utility kits - 24" curved aluminum arm, terminal block, 60" leads, latch-on optics						
DDR100S	100	HPS	12"	Mogul Clear	6.5 (2.9)	BC
DDR150S	150	HPS	12"	Mogul Clear	6.5 (2.9)	BC

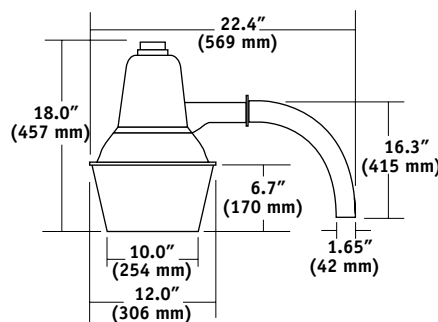
STOCK REPLACEMENT PARTS

Catalog Number	Description	Weight lbs. (kg)	PKG. CODE
DDR-5AP	Replacement optics, latch-on, Type V acrylic for DDR fixtures	1.5 (0.7)	BC
PTL-1	Replacement 120V twist lock photocontrol	0.1 (0.05)	BC
93023491	Replacement 65w CF lamp	5 (2.25)	BC

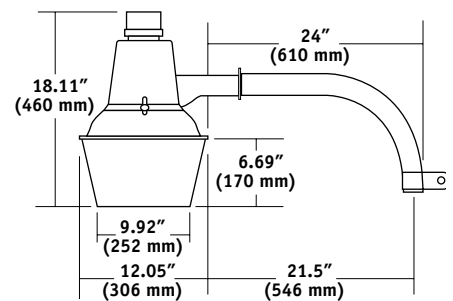
DIMENSIONS



DD



DDS



DDR

