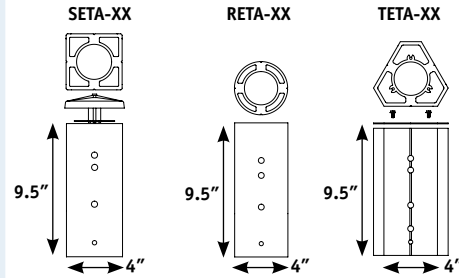


Mounting Accessories

MOUNTING ACCESSORIES

Catalog Number	Description	EPA ft ² (m ²)	Weight lbs. (kg)
For use with: CR1, RCS, RCL, and MSV (#2 Drill Pattern)			
SETA-XX¹	4" Square pole top tenon adapter; 2 3/8" OD slipfitter for max. four fixtures (90°)	0.4 (0.04)	20 (9)
RETA-XX¹	4" Round pole top tenon adapter; 2 3/8" OD slipfitter for max. four fixtures (90°); Order 4" round pole adapters separately	0.2 (0.02)	20 (9)
TETA-XX^{1,2}	Three sided pole top tenon adapter; 2 3/8" OD slipfitter for max. three fixtures (120°)	0.4 (0.04)	20 (9)

1 Replace X or XX with color designation (See bottom right of page)
 2 Must use 10" arm on fixture for 120° mounting

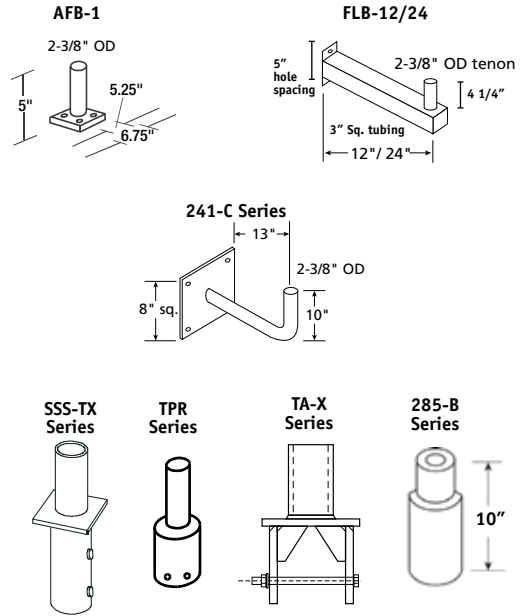


TENON BRACKETS AND ARMS

Catalog Number	Description	EPA ft ² (m ²)	Weight lbs. (kg)
AFB-1	Flat surface bracket - natural aluminum finish - 2 3/8" OD		
AFB-1-M53	Flat surface bracket - gray finish		
241-C-XX	Flat surface bracket - 90° (lag bolt hole spacing is 6.75 on OC, mounting hardware by others)		16
FLB-12-XX	12" floodlight bracket for pole mounting (bracket requires internal pole access)	.5 (.05)	6
FLB-24-XX	24" floodlight bracket for pole mounting (bracket requires internal pole access)	1.0 (.10)	10
SSS-T4-DB	2 3/8" OD Tenon top adapter for 4" square open top poles, bronze finish (slips 9" into pole aligns with #6 drill pattern)	—	17.5 (8)
SSS-T5-DB⁴	2 3/8" OD Tenon top adapter for 5" square open top poles, bronze finish (slips 9" into pole aligns with #6 drill pattern)	—	14.5 (6.6)
TPR-2-M5X¹	2 1/2" to 2" pipe size tenon reducer	—	6 (2.7)
TPR-3-M5X²	3" to 2" pipe size tenon reducer	—	8 (3.6)
TPR-4-M5X³	4" to 2" pipe size tenon reducer	—	9 (4.1)
TA-4	2 3/8" OD Tenon top adapter for 4" square pole (11 GA pole)		
TA-5	2 3/8" OD Tenon top adapter for 5" square pole (11 GA pole)		
TA-6	2 3/8" OD Tenon top adapter for 6" square pole (11 GA pole)		
285-B-3-XX	3 1/2" to 2 3/8" Reducer (OD for both dimensions)		
285-B-4-XX	4 1/2" to 2 3/8" Reducer (OD for both dimensions)		

- Bracket slips over pole creating 2 3/8 OD tenon (lower ID = 3 1/16")
- Bracket slips over pole creating 2 3/8 OD tenon (lower ID = ID = 3 1/2")
- Bracket slips over pole creating 2 3/8 OD tenon (lower ID = ID = 4 5/8")
- Will not fit in 3 gauge poles

Note Brackets -Bronze color standard; For other colors add suffix to catalog number: -M50 Black finish, -M52 White finish; -M53 Gray finish



- | | |
|--|---|
| Replace XX with Color Designation | Replace X with Color Designation |
| DB Dark Bronze | 1 Dark Bronze |
| BL Black | 2 Black |
| WH White | 3 Gray |
| GR Gray | 4 White |
| PS Platinum Silver | 5 Platinum Silver |
| RD Red (Premium Color) | 6 Red (premium color) |
| FG Forest Green (Premium Color) | 7 Forest Green (premium color) |
| CC Custom Color (consult factory) | |