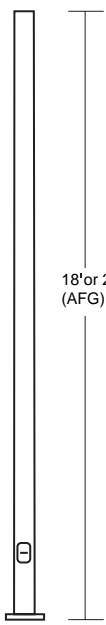


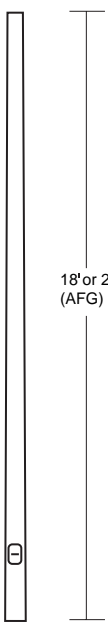
Job	Type
-----	------

### Dimensions



18' or 20'  
(AFG)

**Anchor Base**

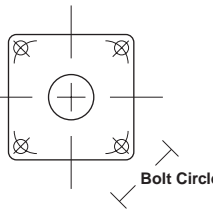


18' or 20'  
(AFG)

**Direct Embedded**

**Standard Anchor Bolts & Template**  
 TAB-30-M38 3/4"x30"x3" (galvanized)  
 TAB-36-M38 1"x36"x4" (galvanized)

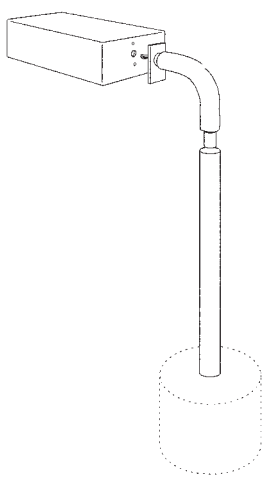
**Anchor Base**  
 Bolt Circles: 8"-9"  
 depending upon pole size



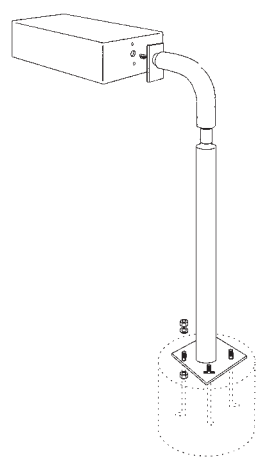
Bolt Circle

### Specifications

**Direct Embedded**



**Anchor Base**



**Direct Embedded / Anchor Base Steel**

- Round straight steel shafts
- Material is ASTM A500 Grade A to 50,000 PSI yield
- Wall thickness .180 to .250, depending upon gauge
- Ground lugs
- Lektrocote® powder paint finish
- Hand hole (18" above grade)

**Anchor Base Poles**

- Base material ASTM (STY+36KSI) steel plate
- Four "L" shaped galvanized high tensile strength anchor bolts
- Two-piece base covers

### Ordering Information

	series	nominal shaft size	nominal shaft length	pole gauge	mounting base	color
<b>Fixture Data</b>	<b>SLT</b>					
<b>SERIES</b>	<b>NOMINAL SHAFT LENGTH</b>		<b>MOUNTING BASE</b>			
SLT	<b>18</b>	Eighteen feet		<b>AB*</b>	Anchor Base Steel	
	<b>20</b>	Twenty feet		<b>DB</b>	Direct Burial Steel	
<b>NOMINAL SHAFT SIZE</b>	<b>POLE GAUGE</b>		<b>COLOR</b>			
<b>4</b>	Four inches		<b>3'</b>	3 Gauge		
<b>5</b>	Five inches		<b>7<sup>2</sup></b>	7 Gauge		
<b>6</b>	Six inches		<b>1<sup>3</sup></b>	11 Gauge		
				<b>M51</b>	Bronze	
				<b>M50</b>	Black	
				<b>M57</b>	Green	

1. Six inch shafts only.  
 2. Four and five inch shafts only.  
 3. Four inch shafts only.  
 4. Anchor base poles include base cover.

Comments	
----------	---