

MOUNTING BRACKETS

Cat. #		Approvals
Job	Type	

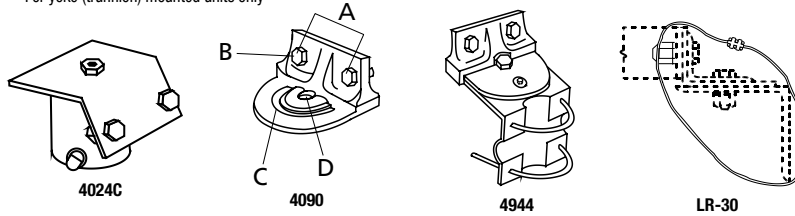


Floodlighting

ORDERING INFORMATION

Catalog Number	Description	Weight lbs. (kg)
HID Floodlights		
4024C	Steel slipfitter for 2" pipe, 2 3/8" OD yoke mount, bronze finish; Also available in gray: 4024CM53 , black: 4024CM50 , and galvanized: 4024CM38 (consult factory for adders)	4 (1.8)
4090	Heavy-duty cast iron crossarm fitting for horizontal trunnion; Bronze Lektrocote®	3 (1.4)
4944	Heavy-duty wall mount and/or pipe clamp fitting; Clamps 2" - 3" OD pipe	9 (4.1)
LR-30¹	Safety retainer complete with crimp clamp and 30" long 1/8" stranded metal cable	.3 (0.1)

1 For yoke (trunnion) mounted units only



	A	B	C	D
4090	3 1/8" 79 mm	9/16" dia. 14 mm	5/16" slot 8 mm	13/16" dia. 21 mm

Accessories: Wall and Pole Mount Brackets

ORDERING INFORMATION

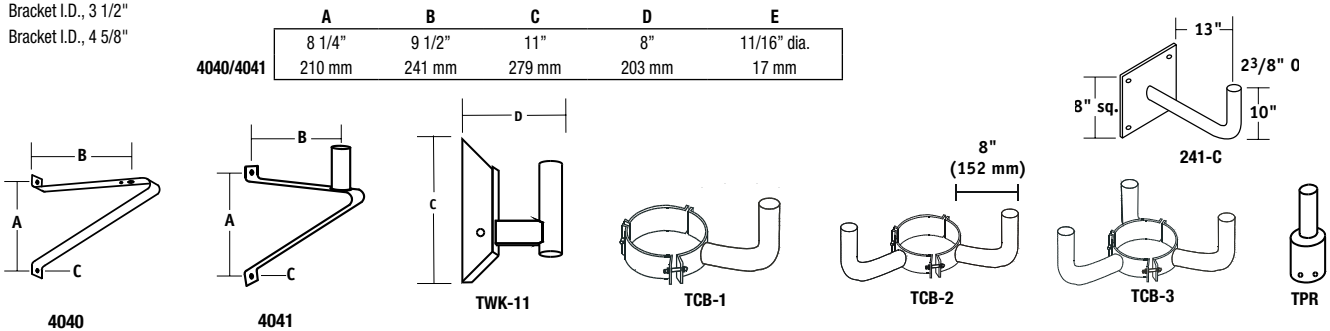
Catalog Number	Description	Weight lbs. (kg)	Maximum Loading Weight
For Use With Crossarm Fittings			
4040	Heavy-duty steel wall/pole bracket; bronze Lektrocote®	5.5 (2.5)	90 (40.8)
For Use With Slipfitter Fittings			
4041	Heavy-duty steel wall/pole bracket 2" pipe (2 3/8" OD) tenon fitting for use with slipfitter units or 4024C; bronze Lektrocote®	7 (3.2)	90 (40.8)
241-C-XX	Flat surface bracket - 90° horn steel (2 3/8" OD)	16 (7.3)	70 (30.7)
TWK-11	Wall bracket with splice compartment for thru-wiring with 2" pipe (2 3/8" OD) tenon	15 (6.8)	90 (40.8)
TCB-1	Wood pole clamp on bracket with 2" pipe (2 3/8" OD) tenon; Clamps 6" to 12" diameter	16 (7.3)	70 (31.7)
TCB-2	Wood pole clamp on bracket with 2" pipe (2 3/8" OD) tenon; Two tenons at 120° (clamps 6" to 12" diameter)	20 (9.1)	140 (63.4)
TCB-3	Wood pole clamp on bracket with 2" pipe (2 3/8" OD) tenon; Three tenons at 120° (clamps 6" to 12" diameter)	28 (12.7)	210 (95.1)
Tenon Reducers			
TPR-2¹	2 1/2" to 2" pipe size tenon reducer	6 (2.7)	105 (47.6)
TPR-3²	3" to 2" pipe size tenon reducer	8 (3.6)	105 (47.6)
TPR-4³	4" to 2" pipe size tenon reducer	9 (4.1)	105 (47.6)

Note: Bronze color standard, for other colors add suffix to catalog number: -M50 black finish, -M52 white finish, -M53 gray finish.

1 Bracket I.D., 3 1/16"

2 Bracket I.D., 3 1/2"

3 Bracket I.D., 4 5/8"



Due to our continued efforts to improve our products, product specifications are subject to change without notice.



Hubbell Outdoor Lighting • 701 Millennium Boulevard • Greenville, SC 29607 • PHONE: 864-678-1000

For more information visit our web site: www.hubbelloutdoor.com