

# DUSK-TO-DAWN KITS

DD SERIES

Cat. #		Approvals
Job	Type	



### APPLICATIONS

- High pressure sodium dusk-to-dawn security kits provide long life, low energy consumption and low maintenance.

### SPECIFICATIONS

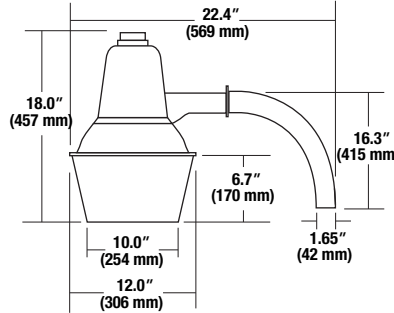
- Cast aluminum heads protect electrical components.
- Twistlock photocontrols save energy with automatic on/off, adjusts with the seasons.
- Long life HPS lamp provides uniform lighting (rated 24,000 hrs).
- All units are 120 volt.

### LISTINGS

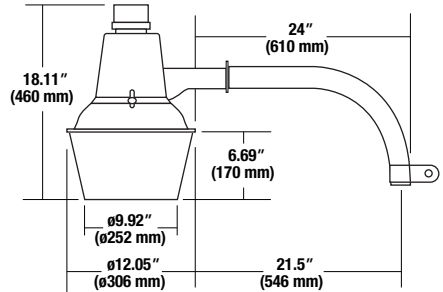
- DDS units are UL 1598 listed for wet locations.



**DDS100S**



**DDR100S**



## ORDERING INFORMATION

Catalog Number	Wattage	Source	Optic Dia.	Lamp	Weight lbs. kg
<b>PULSE START DISTRIBUTOR KITS AND ARM MOUNT</b>					
<b>DDS-70P</b>	70	PS	12"	Med. Clear	5.0 2.3
<b>DDS-100P</b>	100	PS	12"	Med. Clear	5.0 2.3
<b>CFL FLUORESCENT</b>					
<b>DDS-65F</b>	65	CFL	12"	Med. Spiral	3.0 1.4
<b>HPS DISTRIBUTOR KITS - 24" CURVED ALUMINUM ARM, UL LISTED. SCREW-ON OPTICS</b>					
<b>DDS-70S</b>	70	HPS	12"	Med. Clear	4.5 2.0
<b>DDS-100S</b>	100	HPS	12"	Med. Clear	4.5 2.0
<b>DDS-150S</b>	150	HPS	12"	Med. Clear	5.0 2.3
<b>DISTRIBUTOR KITS - WALL MOUNT, UL LISTED. SCREW-ON OPTICS</b>					
<b>DD-70S</b>	70	HPS	9"	Med. Clear	4.0 1.8
<b>UTILITY KITS - 30" CURVED ALUMINUM ARM, TERMINAL BLOCK, 60" LEADS, LATCH-ON NEMA OPTICS</b>					
<b>DDR-100S</b>	100	HPS	12"	Mogul Clear	6.5 2.9
<b>DDR-150S</b>	150	HPS	12"	Mogul Clear	6.5 2.9

### REPLACEMENT PARTS

<b>DDR-5AP</b>	Replacement Optics, latch-on, Type V acrylic	1.5 .7
<b>NPU-BI</b>	Full Cutoff Upgrade, latch-on reflector, Type V	2.5 1.1
<b>DDR-S-PKG1</b>	Replacement Head only 100W HPS 120V, includes cast head, ballast and receptacle. No optic, lamp, PC, arm or leads.	3.0 1.4
<b>PTL-1</b>	Replacement 120V Twist Lock Photocontrol	.1 .05

Due to our continued efforts to improve our products, product specifications are subject to change without notice.



Outdoor Lighting

Hubbell Outdoor Lighting • 701 Millennium Boulevard • Greenville, SC 29607 • PHONE: 864-678-1000

For more information visit our web site: [www.hubbell-ltg.com](http://www.hubbell-ltg.com)