

MASONRY BOXES



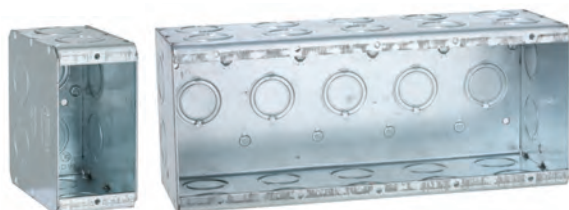
MASONRY BOXES AND PARTITIONS



690 through 694



960



695 through 699



965



971

APPLICATIONS

- RACO® Masonry boxes are designed to accommodate the mounting of switches or other devices in masonry walls
- Gangable masonry boxes offer the option of constructing a box to hold two or more devices
- 2-1/2" deep boxes are used in 4" block walls, 3-1/2" deep boxes are used in 6" or 8" block walls

NONGANGABLE PRODUCT FEATURES

- Rugged welded design does not fall apart during construction
- Available from one to six gang configurations in both 2-1/2" and 3-1/2" depths
- Rectangular shape fits square cuts in block
- Large volume design allows for additional work room inside the box
- Standard 1/2" and 3/4" concentric Knockouts
- Device ears inside the box prevent mortar from getting in the device holes
- Steel low voltage partition #971 fits all 2-1/2" or 3-1/2" depths
- Standard wall plates can be used

COMPLIANCE

- File E195978 (Cat. #971 not UL Listed)

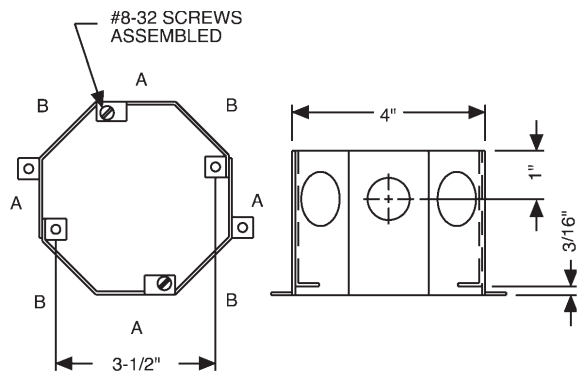
| CAT. # | DESCRIPTION | CUBIC INCHES (CM ³) | KNOCKOUTS | | | STD. PKG. | BAR CODE |
|---|--|---------------------------------|---------------|--------------|----------------|-----------|----------|
| | | | SIDES CONDUIT | ENDS CONDUIT | BOTTOM CONDUIT | | |
| Masonry Boxes, 2-1/2" Deep – Nongangable with Conduit KO's | | | | | | | |
| 690 | 1 Gang, 1-31/32" Wide | 16.0 (262.1) | 4 Conc. | 2 Conc. | 2 Conc. | 25 | — |
| 691 | 2 Gang, 3-25/32" Wide | 31.8 (521.1) | 4 Conc. | 4 Conc. | 4 Conc. | 25 | — |
| 692 | 3 Gang, 5-19/32" Wide | 47.8 (783.3) | 4 Conc. | 6 Conc. | 3 Conc. | 10 | — |
| 693 | 4 Gang, 7-13/32" Wide | 63.5 (1040.5) | 4 Conc. | 8 Conc. | 4 Conc. | 10 | — |
| 694 | 5 Gang, 9-7/32" Wide | 79.5 (1302.7) | 4 Conc. | 10 Conc. | 5 Conc. | 10 | — |
| 960 | 6 Gang, 11-1/32" Wide | 95.3 (1561.6) | 4 Conc. | 12 Conc. | 6 Conc. | 1 | — |
| Masonry Boxes, 3-1/2" Deep – Nongangable with Conduit KO's | | | | | | | |
| 695 | 1 Gang, 1-31/32" Wide | 22.5 (368.7) | 4 Conc. | 4 Conc. | 2 Conc. | 25 | — |
| 8695 | 1 Gang, 1-31/32" Wide | 22.5 (368.7) | 4 Conc. | 4 Conc. | 2 Conc. | 25 | |
| 696 | 2 Gang, 3-25/32" Wide | 45.0 (737.4) | 4 Conc. | 8 Conc. | 4 Conc. | 25 | |
| 697 | 3 Gang, 5-19/32" Wide | 67.3 (1102.8) | 4 Conc. | 12 Conc. | 3 Conc. | 10 | |
| 698 | 4 Gang, 7-13/32" Wide | 89.8 (1471.5) | 4 Conc. | 16 Conc. | 4 Conc. | 10 | — |
| 699 | 5 Gang, 9-7/32" Wide | 112.3 (1840.2) | 4 Conc. | 20 Conc. | 5 Conc. | 10 | — |
| 965 | 6 Gang, 11-1/32" Wide | 134.8 (2208.9) | 4 Conc. | 24 Conc. | 6 Conc. | 1 | — |
| CATALOG # DESCRIPTION STD. PKG. BARCODE | | | | | | | |
| Low Voltage Partitions for Masonry Boxes | | | | | | | |
| 971 | For Nongangable, 2-1/2" or 3-1/2" Deep Boxes | | | | | 25 | — |

SEE END OF SECTION (PG A72) FOR DETAILED DRAWINGS >>



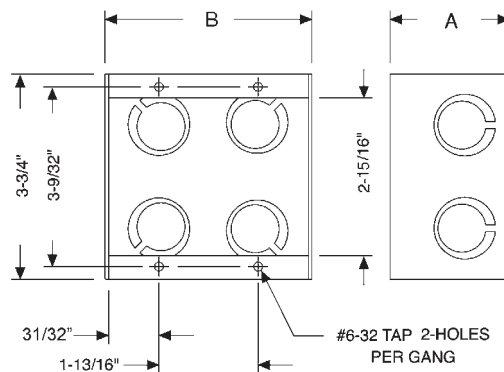
CONCRETE RINGS AND MASONRY BOXES

STEEL CONCRETE RINGS



| KNOCKOUT SIZE | DIMENSIONS | |
|---------------|------------|------|
| | A | B |
| 1/2" & 3/4" | 1/2" | 3/4" |
| 3/4" & 1" | 3/4" | 1" |

STEEL MASONRY BOXES



| CAT. # | DIMENSIONS | |
|--------|------------|----------|
| | A (INSIDE) | B |
| 688 | 2-1/2" | 1-15/16" |
| 690 | 2-1/2" | 1-31/32" |
| 691 | 2-1/2" | 3-25/32" |
| 692 | 2-1/2" | 5-19/32" |
| 693 | 2-1/2" | 7-13/32" |
| 694 | 2-1/2" | 9-7/32" |
| 960 | 2-1/2" | 11-1/32" |
| 689 | 3-1/2" | 5-19/32" |
| 695 | 3-1/2" | 1-31/32" |
| 8695 | 3-1/2" | 1-31/32" |
| 696 | 3-1/2" | 3-25/32" |
| 697 | 3-1/2" | 5-19/32" |
| 698 | 3-1/2" | 7-13/32" |
| 699 | 3-1/2" | 9-7/32" |
| 965 | 3-1/2" | 11-1/32" |