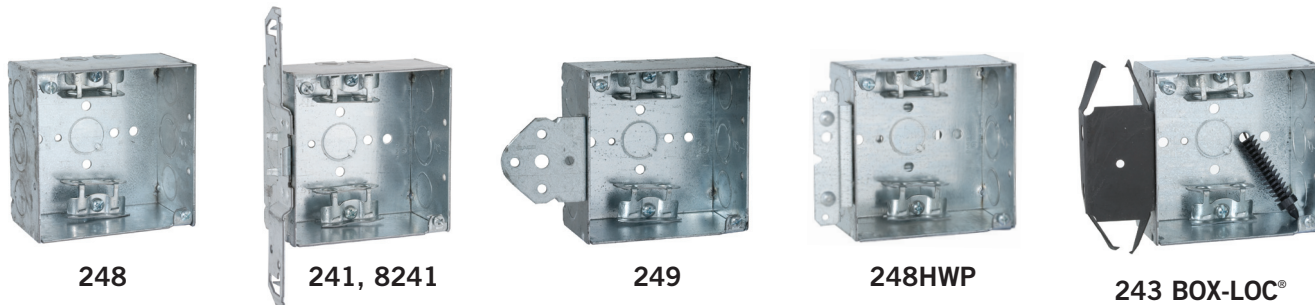




4" SQUARE BOXES – WELDED WITH ARMORED CABLE / METAL CLAD / FLEX CLAMPS



APPLICATIONS

- RACO® Boxes are installed in walls or ceilings for lighting fixtures, switches or receptacles
- Square boxes are used where multiple conductor runs are split into two or more directions to bring power to a number of electrical devices

PRODUCT FEATURES

- Reference the Box Selection section in the front of this catalog for complete description of bracket types and features
- BOX-LOC® (MS) Bracket Box is a snap to install. Place the bracket on the open side of the stud first. Slots in the bracket engage the lip of the stud and actually crimp it as you press the bracket on the stud, quickly locking it in place
- Combination screw heads provide for faster installation
- TKO® knockouts offer greater flexibility with RACO patented combination 1/2" and 3/4" knockout

COMPLIANCE

- File E195978
- All RACO single gang, two gang, 4" square, and single gang gangable U.L. listed steel boxes are acceptable for use in 2-hour fire rated walls. For additional information, consult U.L. "Fire Resistance Directory" or the U.L. website at [www.ul.com](http://www.ul.com)
- **600V** Per U.L. 514-A, suitable for use without a bonding jumper in circuits up to 600 volts

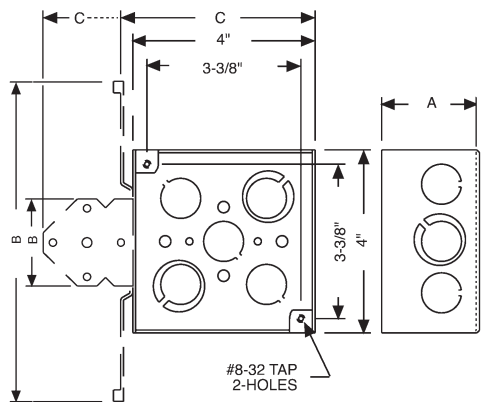
CAT. #	DESCRIPTION	CUBIC INCHES (CM <sup>3</sup> )	KNOCKOUTS			STD. PKG.	BAR CODE
			CABLE PRIOUTS	SIDES CONDUIT	BOTTOM CONDUIT		
<b>4" Square Box, 2-1/8" Deep – Welded with Armored Cable/Metal Clad/Flex Clamps</b>							
248	<b>600V</b>	30.3 (496.5)	4	(4) 1/2", (2) TKO®	(1) 1/2"	25	
<b>4" Square Bracketed Box, 2-1/8" Deep – Welded with Armored Cable/Metal Clad/Flex Clamps</b>							
241	<b>600V</b> , TS, Flush	30.3 (496.5)	4	(2) 1/2", (1) TKO®	(1) 1/2"	25	—
8241	<b>600V</b> , TS, Flush	30.3 (496.5)	4	(2) 1/2", (1) TKO®	(1) 1/2"	25	
249	<b>600V</b> , B, Flush	30.3 (496.5)	4	(2) 1/2", (1) TKO®	(1) 1/2"	25	—
248HWP	<b>600V</b> , HM Bracket, UBS	30.3 (496.5)	4	(2) 1/2", (1) TKO®	(1) 1/2"	25	
243	<b>600V</b> , BOX-LOC®, (MS) Flush, Provided with Far-side support (part #978)	30.3 (496.5)	4	(2) 1/2", (1) TKO®	(1) 1/2"	25	

SEE END OF SECTION (PG A67) FOR DETAILED DRAWINGS >>



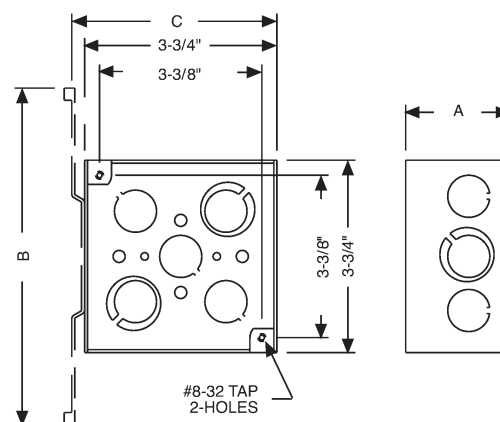
SQUARE BOXES

4" SQUARE CONDUIT BOXES



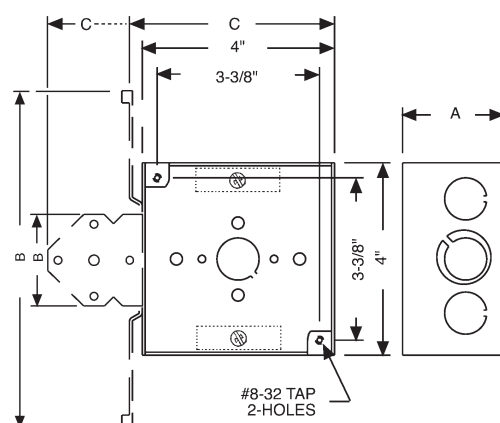
CAT. #	DIMENSIONS		
	A (INSIDE)	B	C
181	1-1/2"	-	-
185	1-1/4"	-	-
187	1-1/2"	-	-
199	1-1/2"	6-7/8"	4-3/8"
202	1-1/2"	-	-
204	1-1/2"	-	-
207	2-1/8"	-	-
226	1-1/2"	-	-
227	1-1/2"	4-5/8"	5-1/2"
236	2-1/8"	7-5/8"	4-3/8"
237	2-1/8"	7-5/8"	4-3/8"
238	2-1/8"	4-5/8"	5-1/2"
239	2-1/8"	-	-
251	2-1/8"	1-31/32"	6"
8197	1-1/2"	7-3/8"	4-3/8"
189, 8189	1-1/2"	-	-
189F	1-1/2"	-	-
189H	1-1/2"	3-1/8"	4-15/16"
189HS	1-1/2"	3-1/8"	4-15/16"
189HWP	1-1/2"	3-1/8"	4-15/16"
189M	1-1/2"	3-1/8"	4-15/16"
189RAC	1-1/2"	-	-
189SM	1-1/2"	-	-
190, 8190	1-1/2"	-	-
191, 8191	1-1/2"	-	-
192, 8192	1-1/2"	-	-
192SM	1-1/2"	-	-
193, 8193	1-1/2"	1-31/32"	6"
196, 8196	1-1/2"	6-7/8"	4-3/8"
201, 8201	1-1/2"	-	-
203, 8203	1-1/2"	-	-
208, 8208	1-1/2"	6-13/16"	5-15/16"
231, 8231	2-1/8"	-	-
232, 8232	2-1/8"	-	-
232F	2-1/8"	-	-
232H	2-1/8"	3-1/8"	4-15/16"
232HS	2-1/8"	3-1/8"	4-15/16"
232HWP	2-1/8"	3-1/8"	4-15/16"
232M	2-1/8"	7"	4-15/16"
232-OW	2-1/8"	-	-
232RAC	2-1/8"	-	-
232SM	2-1/8"	-	-
233, 8233	2-1/8"	-	-
235, 8235	2-1/8"	7"	4-5/16"
911-3	2-1/8"	-	-
911-4	2-1/8"	7-5/8"	4-3/8"
911-6	1-1/2"	-	-
911-9	1-1/2"	-	-

3-3/4" SQUARE CONDUIT BOXES



CAT. #	DIMENSIONS		
	A (INSIDE)	B	C
255	3-1/2"	7-5/8"	3-3/4"
911-1	3-1/2"	7-5/8"	3-3/4"
256	3-1/2"	-	-
911-2	3-1/2"	-	-

4" SQUARE CABLE BOXES



CAT. #	DIMENSIONS		
	A (INSIDE)	B	C
223	1-1/2"	6-7/8"	4-3/8"
224	1-1/2"	1-31/32"	6"
225	1-1/2"	1-31/32"	6"
228	1-1/2"	4-5/8"	5-1/2"
229	1-1/2"	4-5/8"	5-1/2"
242	2-1/8"	-	-
243	2-1/8"	4-5/8"	5-1/2"
248	1-1/2"	-	-
249	2-1/8"	1-31/32"	6"
211, 8211	1-1/2"	-	-
213, 8213	1-1/2"	-	-
213HWP	1-1/2"	3-1/8"	4-15/16"
218, 8218	1-1/2"	6-7/8"	4-3/8"
240, 8240	2-1/8"	7"	4-5/16"
241, 8241	2-1/8"	7"	4-5/16"
248HWP	2-1/8"	3-1/8"	4-15/16"