



SQUARE BOXES & COVERS

4" SQUARE BOXES – WELDED WITH CONDUIT KO'S



232, 8232



232RAC



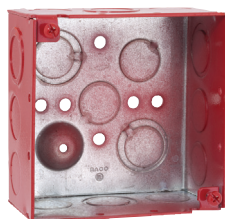
231, 8231



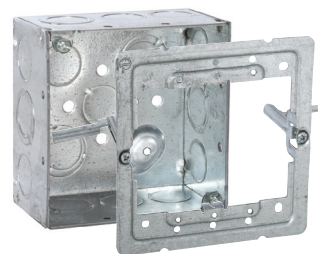
233, 8233



232SM



911-3



232-OW

CAT. #	DESCRIPTION	CUBIC INCHES (CM ³)	KNOCKOUTS		STD. PKG.	BAR CODE
			SIDES CONDUIT	BOTTOM CONDUIT		
4" Square Box, 2-1/8" Deep – Welded with Conduit KO's						
232	600V, Raised Ground	30.3 (496.5)	(8) 1/2", (4) TKO [®]	(2) 1/2", (2) TKO [®]	25	—
8232	600V, Raised Ground	30.3 (496.5)	(8) 1/2", (4) TKO [®]	(2) 1/2", (2) TKO [®]	25	
232RAC	600V	30.3 (496.5)	(8) 1/2", (4) TKO [®]	(3) 1/2", (2) TKO [®]	25	—
231	—	30.3 (496.5)	(8) 3/4"	(1) 1/2", (4) 3/4"	25	—
8231	—	30.3 (496.5)	(8) 3/4"	(1) 1/2", (4) 3/4"	25	
233	—	30.3 (496.5)	(8) 1"	(3) 1/2", (2) 3/4"	25	—
8233	—	30.3 (496.5)	(8) 1"	(3) 1/2", (2) 3/4"	25	
232SM	600V, Raised Ground, 10" #12 Stranded Copper Pigtail	30.3 (496.5)	(8) 1/2", (4) TKO [®]	(2) 1/2", (2) TKO [®]	25	
911-3	600V, Painted Red	30.3 (496.5)	(8) 1/2", (4) TKO [®]	(2) 1/2", (2) TKO [®]	25	
232-OW	600V, Raised Ground, Old Work, 4" Sq. Box Mounting of One or Two Device Applications	30.3 (496.5)	(8) 1/2", (4) TKO [®]	(2) 1/2", (2) TKO [®]	25	

APPLICATIONS

- RACO[®] Boxes are installed in walls or ceilings for lighting fixtures, switches or receptacles
- Square boxes are used where multiple conductor runs are split into two or more directions to bring power to a number of electrical devices

PRODUCT FEATURES

- Combination screw heads provide for faster installation
- TKO[®] knockouts offer greater flexibility with RACO patented combination 1/2" and 3/4" knockout
- Red boxes, covers and extensions for dedicated life safety alarm circuits

COMPLIANCE

- File E195978
- All RACO single gang, two gang, 4" square, and single gang gangable U.L. listed steel boxes are acceptable for use in 2-hour fire rated walls. For additional information, consult U.L. "Fire Resistance Directory" or the U.L. website at www.ul.com
- 600V Per U.L. 514-A, suitable for use without a bonding jumper in circuits up to 600 volts

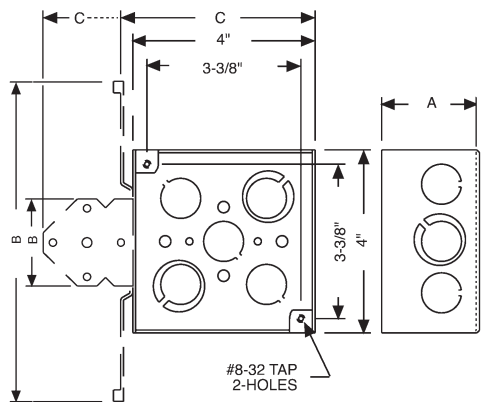
U.S. Patent 7,300,025, B2 (232-OW)

SEE END OF SECTION (PG A67) FOR DETAILED DRAWINGS >>



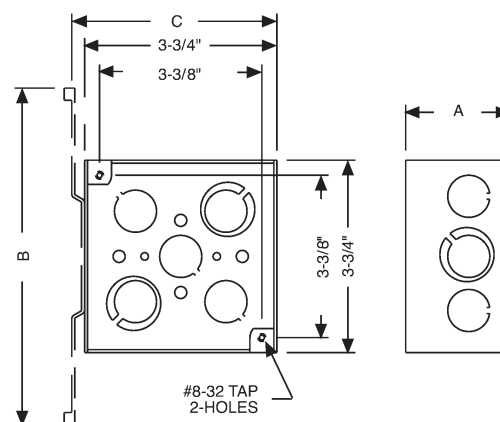
SQUARE BOXES

4" SQUARE CONDUIT BOXES



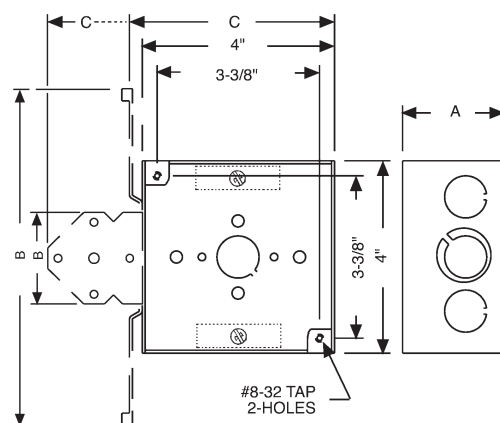
CAT. #	DIMENSIONS		
	A (INSIDE)	B	C
181	1-1/2"	-	-
185	1-1/4"	-	-
187	1-1/2"	-	-
199	1-1/2"	6-7/8"	4-3/8"
202	1-1/2"	-	-
204	1-1/2"	-	-
207	2-1/8"	-	-
226	1-1/2"	-	-
227	1-1/2"	4-5/8"	5-1/2"
236	2-1/8"	7-5/8"	4-3/8"
237	2-1/8"	7-5/8"	4-3/8"
238	2-1/8"	4-5/8"	5-1/2"
239	2-1/8"	-	-
251	2-1/8"	1-31/32"	6"
8197	1-1/2"	7-3/8"	4-3/8"
189, 8189	1-1/2"	-	-
189F	1-1/2"	-	-
189H	1-1/2"	3-1/8"	4-15/16"
189HS	1-1/2"	3-1/8"	4-15/16"
189HWP	1-1/2"	3-1/8"	4-15/16"
189M	1-1/2"	3-1/8"	4-15/16"
189RAC	1-1/2"	-	-
189SM	1-1/2"	-	-
190, 8190	1-1/2"	-	-
191, 8191	1-1/2"	-	-
192, 8192	1-1/2"	-	-
192SM	1-1/2"	-	-
193, 8193	1-1/2"	1-31/32"	6"
196, 8196	1-1/2"	6-7/8"	4-3/8"
201, 8201	1-1/2"	-	-
203, 8203	1-1/2"	-	-
208, 8208	1-1/2"	6-13/16"	5-15/16"
231, 8231	2-1/8"	-	-
232, 8232	2-1/8"	-	-
232F	2-1/8"	-	-
232H	2-1/8"	3-1/8"	4-15/16"
232HS	2-1/8"	3-1/8"	4-15/16"
232HWP	2-1/8"	3-1/8"	4-15/16"
232M	2-1/8"	7"	4-15/16"
232-OW	2-1/8"	-	-
232RAC	2-1/8"	-	-
232SM	2-1/8"	-	-
233, 8233	2-1/8"	-	-
235, 8235	2-1/8"	7"	4-5/16"
911-3	2-1/8"	-	-
911-4	2-1/8"	7-5/8"	4-3/8"
911-6	1-1/2"	-	-
911-9	1-1/2"	-	-

3-3/4" SQUARE CONDUIT BOXES



CAT. #	DIMENSIONS		
	A (INSIDE)	B	C
255	3-1/2"	7-5/8"	3-3/4"
911-1	3-1/2"	7-5/8"	3-3/4"
256	3-1/2"	-	-
911-2	3-1/2"	-	-

4" SQUARE CABLE BOXES



CAT. #	DIMENSIONS		
	A (INSIDE)	B	C
223	1-1/2"	6-7/8"	4-3/8"
224	1-1/2"	1-31/32"	6"
225	1-1/2"	1-31/32"	6"
228	1-1/2"	4-5/8"	5-1/2"
229	1-1/2"	4-5/8"	5-1/2"
242	2-1/8"	-	-
243	2-1/8"	4-5/8"	5-1/2"
248	1-1/2"	-	-
249	2-1/8"	1-31/32"	6"
211, 8211	1-1/2"	-	-
213, 8213	1-1/2"	-	-
213HWP	1-1/2"	3-1/8"	4-15/16"
218, 8218	1-1/2"	6-7/8"	4-3/8"
240, 8240	2-1/8"	7"	4-5/16"
241, 8241	2-1/8"	7"	4-5/16"
248HWP	2-1/8"	3-1/8"	4-15/16"