

Adapter Plates, Portable Boxes, Merchandising Pak

Features - Specifications

ADAPTER PLATES

- Rugged Lexan® construction
- Adapts Quadplex receptacle to 1 and 2 gang device boxes and 4 11/16" square boxes
- UL Listed File #E33208 – Guide #QCDX
- CSA Certified File #18266 – Guide #300U16
- NOM
- CE

PORTABLE BOXES

- Rugged Lexan construction
- Internal cord grip
- Feed-thru design available with two cord grips



ADAPI

MERCHANDISING DISPLAY PAK

DISPLAY PAK

- One package includes both receptacle and adapter plate
- Complete wiring and installation instructions included
- See-through packaging for easy product identification
- Attractive package captures the impulse purchase
- Package includes pegboard or rack mounting hole
- UL Listed
- CSA Certified
- UPC bar coded

Typical Specification

The contractor shall supply and install commercial or hospital grade receptacles with 4 outlets internally connected and provision for split circuit wiring. Receptacle shall be designed for direct mounting to 4" square box, octagon box and concrete ring or 1 and 2 gang device boxes and 4 11/16" square boxes with ADAP Series adapters, and constructed of high-impact polycarbonate. Bryant Quadplex receptacle catalog series 1254, 21254, 3474 or approved equal.

ADAPTER PLATES

| CATALOG NUMBER | | DESCRIPTION |
|-----------------------------|--------------------|--------------|
| FOR 1 & 2 GANG DEVICE BOXES | FOR 4 11/16" BOXES | |
| ADAPB | ADAPBS | Brown Lexan |
| ADAPI | ADAPIS | Ivory Lexan |
| ADAPW | — | White Lexan |
| ADAPGRY | — | Gray Lexan |
| ADAPO | — | Orange Lexan |
| ADAPR | — | Red Lexan |
| ADAPBLU | ADAPBLUS | Blue Lexan |
| ADAPBLK | — | Black Lexan |

PORTABLE BOXES ①

| CATALOG NUMBER | | DESCRIPTION |
|-----------------------|------------------------------------|--------------|
| 4" SQ. WITH CORD GRIP | 4" SQ. FEED-THRU WITH 2 CORD GRIPS | |
| 4SQBXB | — | Brown Lexan |
| 4SQBXI | 4SQBXFI | Ivory Lexan |
| 4SQBXW | — | White Lexan |
| 4SQBXGRY | — | Gray Lexan |
| 4SQBXO | — | Orange Lexan |
| 4SQBXR | 4SQBXFR | Red Lexan |
| 4SQBXBLU | — | Blue Lexan |
| 4SQBXBLK | 4SQBXFBLK | Black Lexan |



4SQBXI

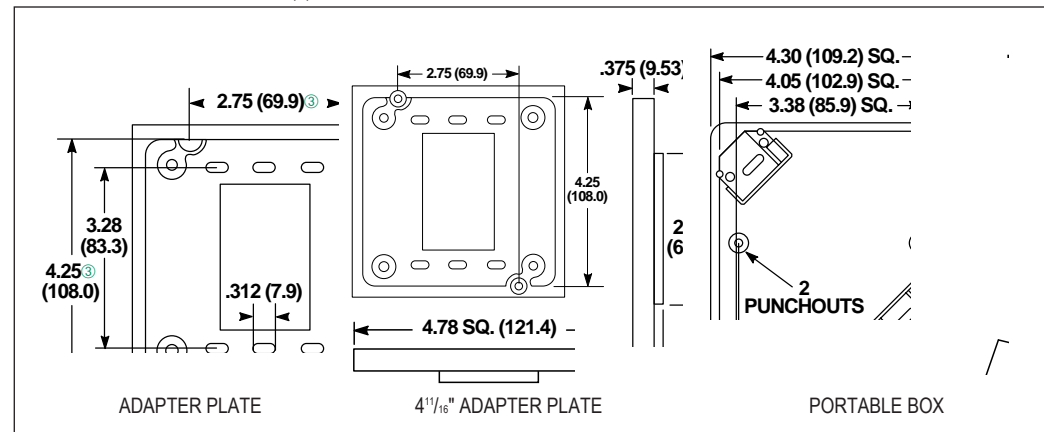
MERCHANDISING DISPLAY PAK

| CATALOG NUMBER | DESCRIPTION |
|----------------|--|
| B1254I | Quadplex receptacle and adapter plate, ivory Lexan |
| B1254W | Quadplex receptacle and adapter plate, white Lexan |
| B1254GY | Quadplex receptacle and adapter plate, gray Lexan |
| B1254SIA | Surge suppression Quadplex receptacle and adapter plate, ivory Lexan |



B1254I

PRODUCT DIMENSIONS – () Indicates mm dimensions



① Portable box not UL Listed.
Lexan® is a registered trademark of General Electric Co.
For further details on Quadplex receptacles, request brochure BPM-8099.
Specifications are subject to change without notice.