

QUICK STRAP® EXPANSION TANK MOUNTING BRACKETS

QUICK STRAP® QS-5 **NEW**
QUICK STRAP® QS-12



BRACKET



QUICK STRAP® QS-5

- Secures tank to wall and takes weight load off pipes
- Galvanized and stainless steel construction
- Supports tanks up to 9 inches in diameter
- Includes mounting bracket, (2) support straps, and #8 x 1.5" mounting screws

QUICK STRAP® QS-12

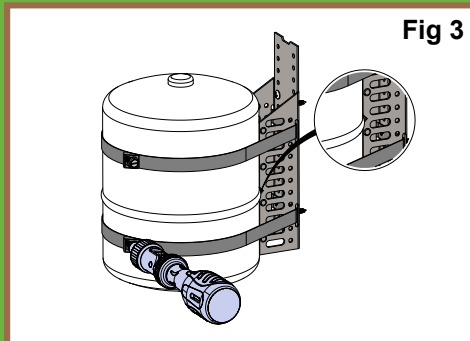
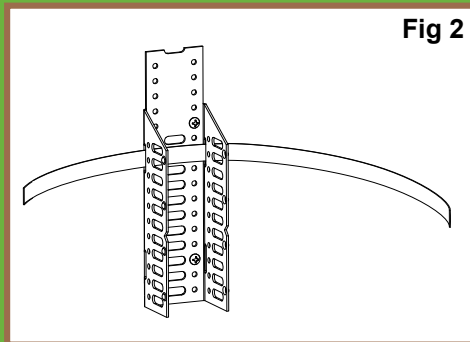
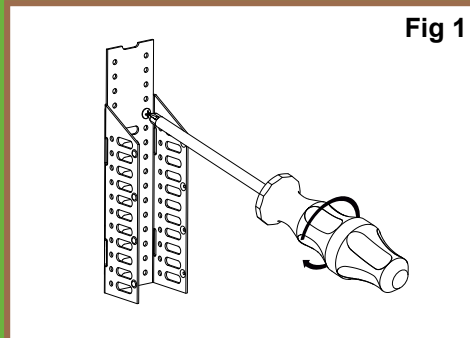
- Secures tank to wall and takes weight load off pipes
- Galvanized and stainless steel construction
- Supports tanks from 9-1/2 to 13 inches in diameter
- Includes mounting bracket, (2) support straps, and #8 x 1.5" mounting screws

MODEL #	SIZE	BOX QTY	PALLET QTY
QS-5	Up to 2.5 gal; Up to 9" diameter	15	120
QS-12	Up to 5 gal; 9.5" to 13" diameter	15	120

QUICK STRAP® EXPANSION TANK MOUNTING BRACKETS

QUICK STRAP® QS-5 AND QUICK STRAP® QS-12

INSTALLATION INSTRUCTIONS



Step 1: Orient mounting bracket vertically.
Locate and mark 2 mounting holes at least 4" apart. Place one hole above upper strap slots in bracket and the other hole below lower strap slots.

Step 2: Drill pilot holes approx. 1-16" – 3/32"
for included screws. For hollow wall or concrete, install appropriate anchors at locations marked in Step 1 (Fig 1). Install screws or anchors.

Step 3: Slide the straps through side slots in bracket (Fig 2), and pull about half way through.

Step 4: Center expansion tank on bracket aligning notch in bracket with rib on tank (if applicable). Tighten straps around tank with 5/16" socket/nut driver. To avoid damaging tank, do not over-tighten (Fig 3).