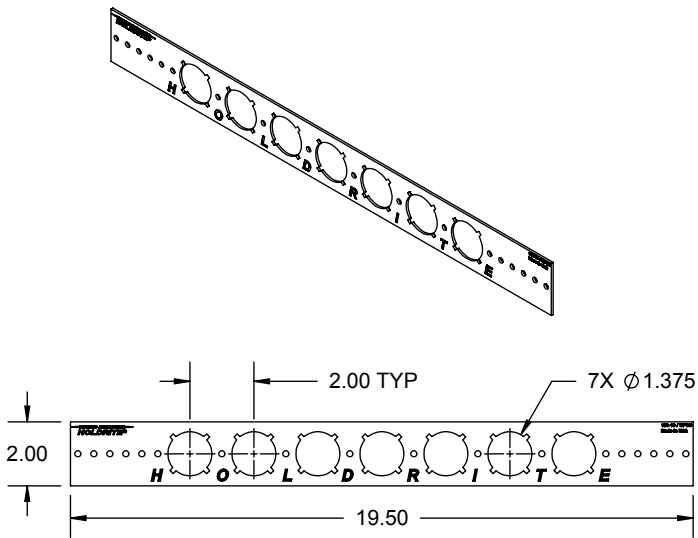
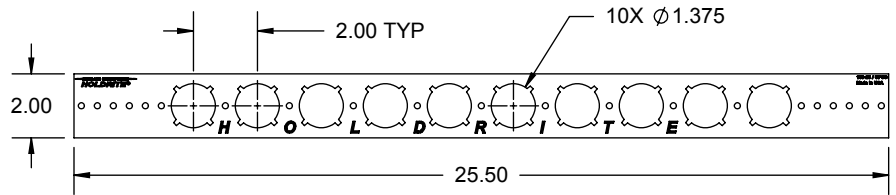
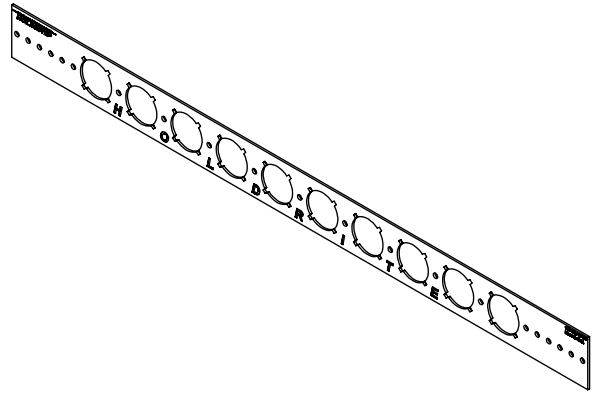


PRODUCT SPECIFICATION DRAWING

HOLDRITE® #103-18 & #103-26



#103-18



#103-26

ALL DIMENSIONS IN INCHES

The HOLDRITE® #103-18 and #103-26 is a 14 gage galvanized steel bracket with 1-3/8" keyed holes on 2" centers. Positions 1/2", 3/4" or 1" Copper or CPVC tubing and 3/8" or 1/2" PEX. This versatile bracket should be used with HOLDRITE® inserts.

Product Information:

- Material: 14 gage CRS, galvanized
- Load rating: 25 pounds
- Positions 1/2", 3/4" or 1" Copper or CPVC tubing and 3/8" or 1/2" PEX
- UPC / IPC / IAPMO listed



Product Submittal	
Job Name:	
Date:	
Part Number:	Qty:
Architect / Owner:	
Contractor:	
Notes:	

THIS INFORMATION IS PROPRIETARY TO HOLDRITE AND IS SUBJECT TO CHANGE WITHOUT NOTICE. IT MAY NOT BE REPRODUCED IN PART OR WHOLE WITHOUT WRITTEN AUTHORIZATION.



CONVERTING MAKESHIFT METHODS INTO ENGINEERED SOLUTIONSSM
 800-321-0316 OR 760-744-6944 / FAX: 760-744-0507 / WWW.HOLDRITE.COM
 spec_103-18_-26_RevE