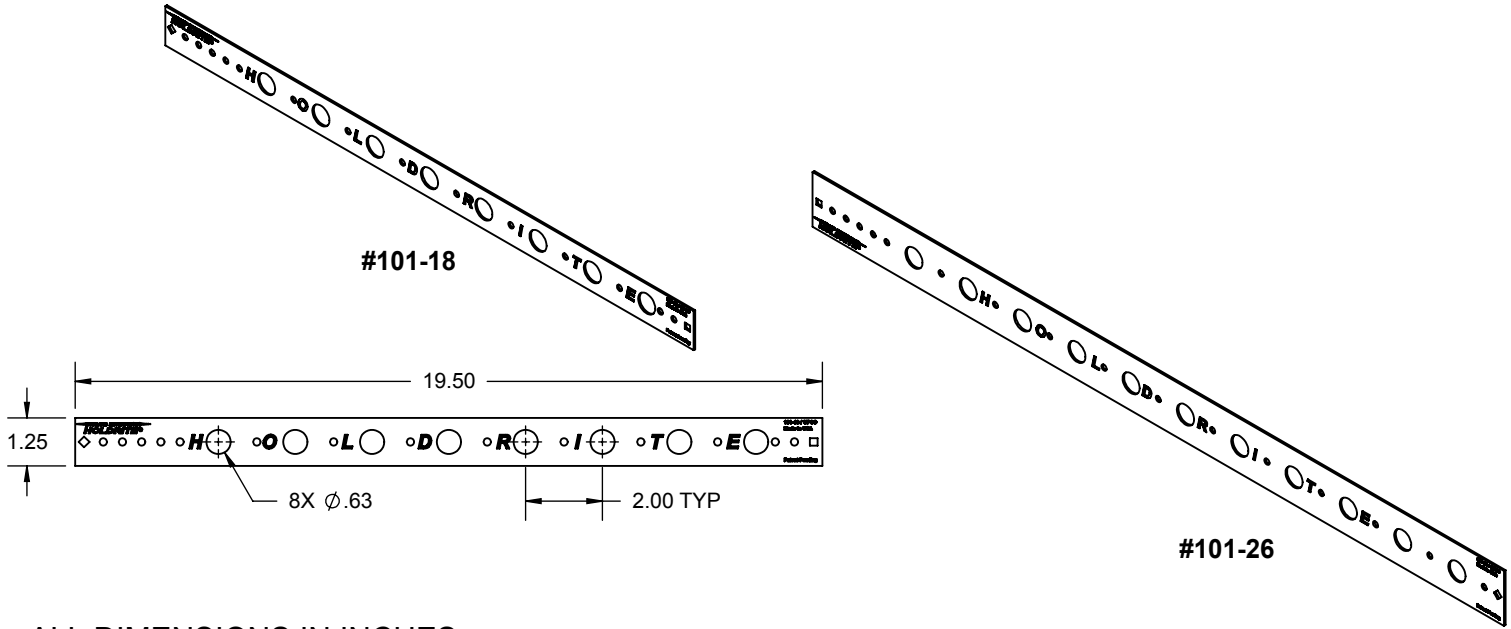
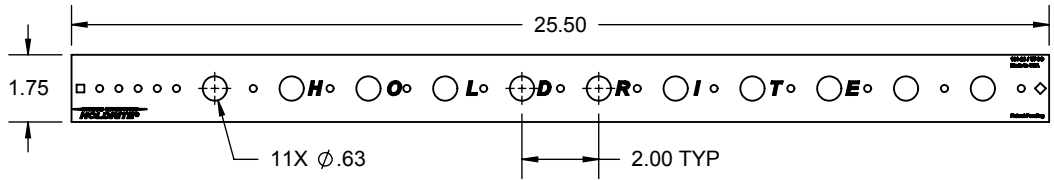


**PRODUCT SPECIFICATION DRAWING  
 HOLDRITE® #101-18 & #101-26  
 Supports copper water supplies for  
 sinks, water closets and other fixtures**



ALL DIMENSIONS IN INCHES



The HOLDRITE #101-18 & #101-26 is a Copper-Bonded™ steel brackets with 5/8" holes on 2" centers to support 1/2" copper tubing. The #101-18 & #101-26 position copper water supplies for sinks, water closets, and other fixtures. When soldering, heat the pipe, not the bracket.

**Product Information:**

- Material: 16 gage CRS, Copper-Bonded™
- Load rating: 25 pounds
- UPC / IPC / IAPMO listed



THIS INFORMATION IS PROPRIETARY TO HOLDRITE AND IS SUBJECT TO CHANGE WITHOUT NOTICE. IT MAY NOT BE REPRODUCED IN PART OR WHOLE WITHOUT WRITTEN AUTHORIZATION.



CONVERTING MAKESHIFT METHODS INTO ENGINEERED SOLUTIONS<sup>SM</sup>  
 800-321-0316 OR 760-744-6944 / FAX: 760-744-0507 / WWW.HOLDRITE.COM  
 spec\_101-18\_-26\_RevD

Product Submittal	
Job Name:	
Date:	
Part Number:	Qty:
Architect / Owner:	
Contractor:	
Notes:	