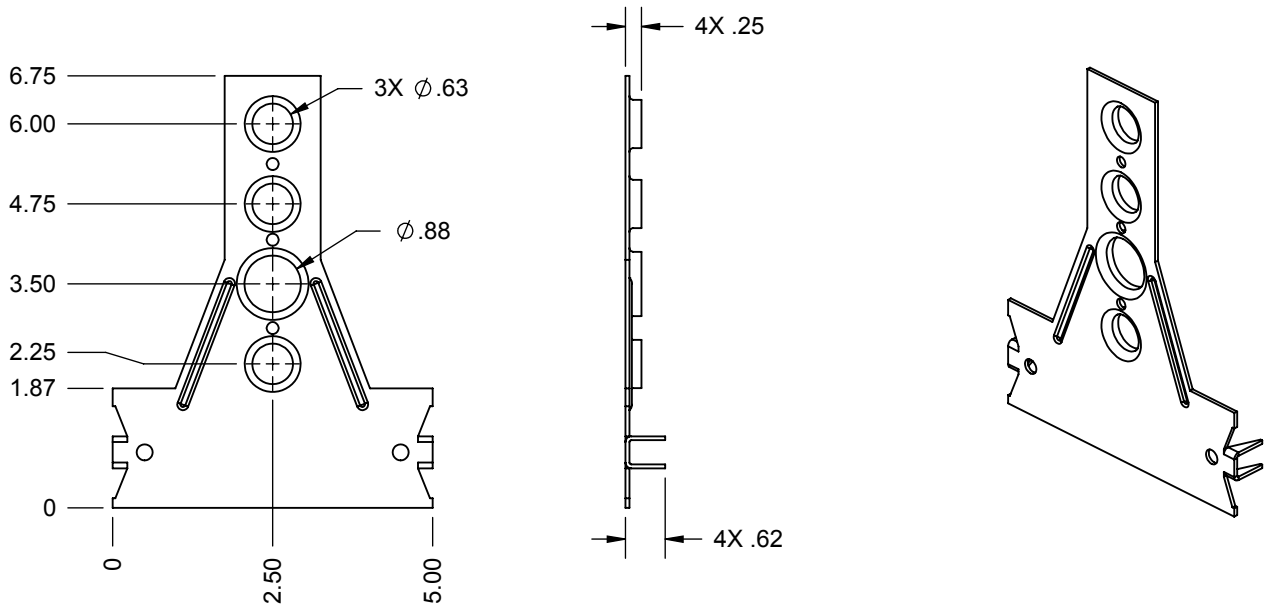


PRODUCT SPECIFICATION DRAWING HOLDRITE® #109-N-6 BRACKET



ALL DIMENSIONS IN INCHES

The HOLDRITE #109-N-6 is a Copper-Bonded™ steel bracket made to position 1/2" or 3/4" copper tube. Specifically designed to mount 1/2" stub-outs exactly 6" from the floor, with additional 5/8" holes at 2-1/4" and 4-3/4". There is a single 7/8" hole at the height of 3-1/2" for a hose bib, etc. This bracket also functions as a nail plate.

Product Information:

- Material: 16 gage CRS, Copper-Bonded™
- Patent pending
- UPC / IPC / IAPMO listed



THIS INFORMATION IS PROPRIETARY TO HOLDRITE AND IS SUBJECT TO CHANGE WITHOUT NOTICE. IT MAY NOT BE REPRODUCED IN PART OR WHOLE WITHOUT WRITTEN AUTHORIZATION.



CONVERTING MAKESHIFT METHODS INTO ENGINEERED SOLUTIONS™
800-321-0316 OR 760-744-6944 / FAX: 760-744-0507 / WWW.HOLDRITE.COM
spec_109-N-6_RevE

Product Submittal	
Job Name:	
Date:	
Part Number:	Qty:
Architect / Owner:	
Contractor:	
Notes:	