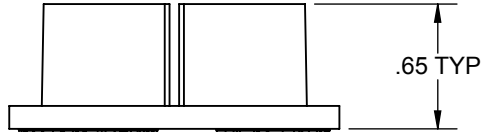
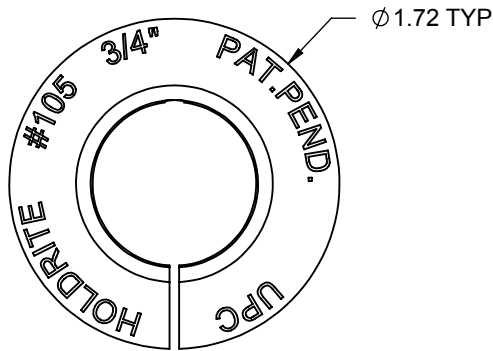


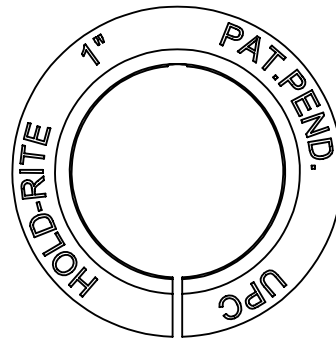
# PRODUCT SPECIFICATION DRAWING HOLDRITE® #105 & 106 INSERTS



ALL DIMENSIONS IN INCHES



**#105 (3/4" CTS)**



**#106 (1" CTS)**

The HOLDRITE #105 and #106 inserts are designed to work with HOLDRITE #103, #121, #709 and #125 series brackets. For Copper, PEX and CPVC tube.

**Product Information:**

- Material: Polyethylene, purple
- Temperature range: -10°F to +150°F
- UPC / IPC / IAPMO listed



THIS INFORMATION IS PROPRIETARY TO HOLDRITE AND IS SUBJECT TO CHANGE WITHOUT NOTICE. IT MAY NOT BE REPRODUCED IN PART OR WHOLE WITHOUT WRITTEN AUTHORIZATION.



CONVERTING MAKESHIFT METHODS INTO ENGINEERED SOLUTIONS<sup>SM</sup>  
800-321-0316 OR 760-744-6944 / FAX: 760-744-0507 / WWW.HOLDRITE.COM  
spec\_105\_106\_RevD

Product Submittal	
Job Name:	
Date:	
Part Number:	Qty:
Architect / Owner:	
Contractor:	
Notes:	