

Q682B,D,L Switching Subbases

Application

Subbase	Use with Thermostat	Switching		Application	LED Options
		System	Fan		
Q682B	T8082A; T8085A,B,C; T8090A, T8095, T8190	HEAT-OFF-COOL	AUTO-ON	Heating/Cooling	Clogged Filter LED
Q682D	T8082A; T8085A,B,C; T8090A, T8095, T8190	ON-OFF or AUTO-OFF	AUTO-ON	Heating-only or Cooling-only	None
Q682L	T8085R	EM.HT.-HEAT-OFF-COOL	AUTO-ON	Heat pump	EM.HT. and AUX. HT. LEDs

Installation

WHEN INSTALLING THIS PRODUCT

1. Read these instructions carefully. Failure to follow them could damage the product or cause a hazardous condition.

2. Check the ratings given in the instructions and on the product to make sure the product is suitable for your application.

3. Installer must be a trained, experienced service technician.

4. After installation is complete, check out product operation as provided in these instructions.



CAUTION

1. Disconnect power supply to prevent electrical shock or equipment damage.
2. On systems using a low-voltage gas valve, never apply a jumper across valve coil terminals. This may burn out thermostat heat anticipator.

IMPORTANT:

1. T8082, T8085, T8090, T8190 and T8095 Fuel Saver Thermostats are mounted at true level when calibrated at the factory. An inaccurately leveled subbase will cause the temperature control to deviate from set point.
2. Refer to thermostat Owner Manual for complete installation instructions.

LOCATION

Locate the subbase about 5 ft. [1.5m] above the floor in an area with good air circulation at average temperature.

Do not mount the subbase where the thermostat may be affected by:

- drafts, or dead spots behind doors and in corners.
- hot or cold air from ducts.
- radiant heat from the sun, appliances or fireplace.
- concealed pipes and chimneys.
- unheated (uncooled) areas, such as an outside wall behind the thermostat.

MOUNTING

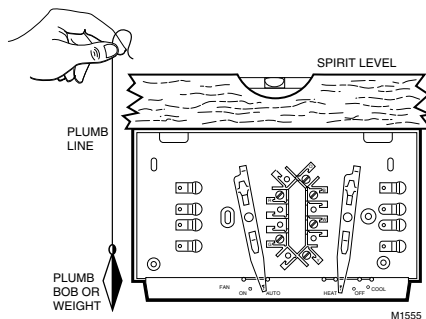
1. If replacing an existing thermostat, remove thermostat and wallplate or subbase. To avoid miswiring, label wires with the letter or number of each terminal as it is disconnected. Be sure insulation on thermostat wires is in good condition (not cracked, worn or frayed). Replace wires if necessary.

If a new installation, prepare an opening for the thermostat wires, run wires and pull about 3 in. [76 mm] through the opening.

NOTE: Color-coded, 18-gauge thermostat cable (Underwriters Laboratories Inc., approved limited energy safety control wire) with one conductor to each wiring terminal is recommended.

2. Use a spirit level for leveling the Q682 Switching Subbase (Fig. 1) and mount to the wall with the three screws provided. If mounting to a horizontal outlet box, use the two machine screws furnished.

Fig. 1—Leveling the Q682 Switching Subbase.



WIRING

Disconnect power supply before making wiring connections to prevent electrical shock or equipment damage.

All wiring must comply with local electrical codes and ordinances.

Fig. 5—Q682A Subbase with Fuel Saver Thermostat (T8195 shown) in an electric heat system with auto fan.

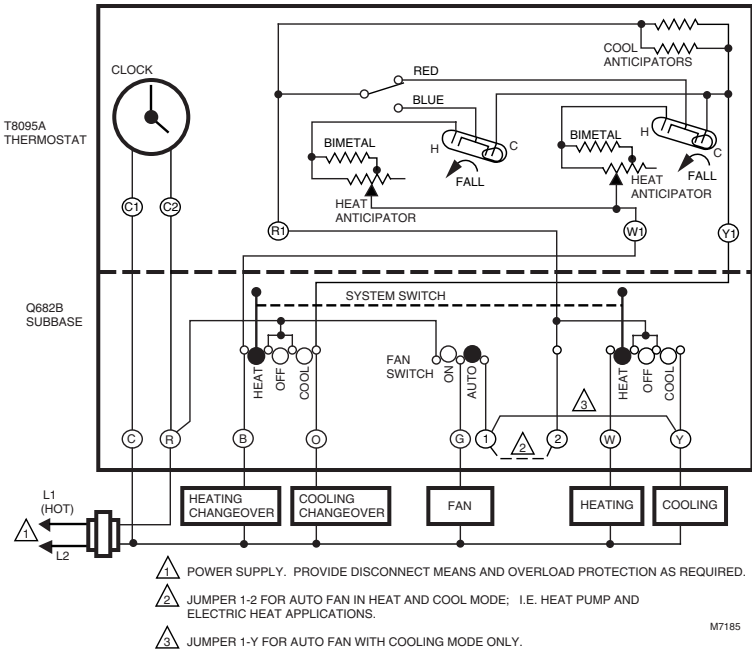


Fig. 6—Q682B Subbase with Fuel Saver Thermostat (T8195 shown) in a heating-cooling system with O and B terminals for damper motors or changeover valve, and optional filter indicator LED.

