

Thermostats—Electromechanical Non-Programmable

Q539 Thermostat Subbases



Provide system and fan switching, and mounting for T87F Thermostats.

- Include cooling anticipator and letter-coded screw terminals for electrical connections.
- Wide range of switching functions fits most heating, cooling or heating-cooling applications.
- Mount directly on wall or on an outlet box using optional 6 in. (152 mm) cover ring or adapter plate assembly.

ELECTRICAL RATINGS: 2A at 24 Vac.

Voltage: Special Indicator Light Models: 28 Vac.

DIMENSIONS, APPROXIMATE: (with T87F): 3-11/16 in. (94 mm) diameter, 1-3/4 in. (45 mm) deep.

ACCESSORIES:

129044A Gold Adapter Kit includes 6 in. cover ring, adapter ring and screws for mounting T87F/Q539 on outlet box or to cover mounting marks from old thermostat.

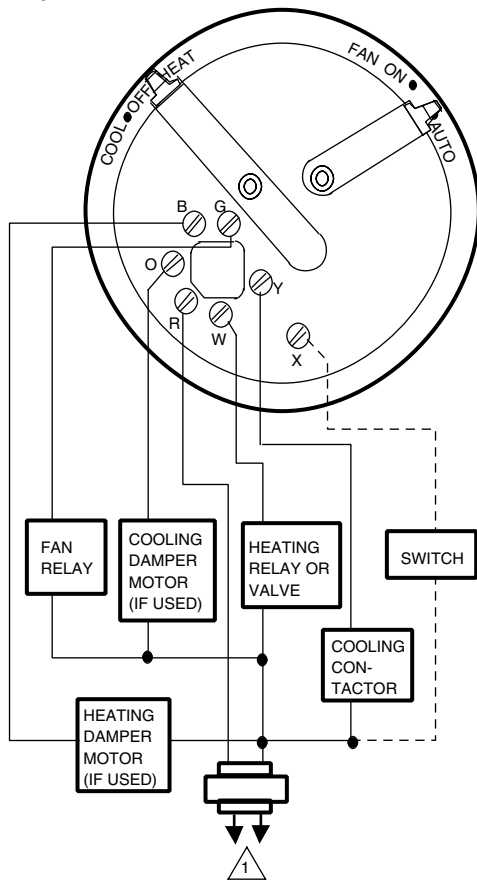
135734A Indicator Light Assembly. Field addable. Includes light bulb with 2-3/4 in. (70 mm) leadwires with spade terminals, black retainer plate, two self-tapping screws, and four lenses. Q539 lenses indicate FILTER or CHECK for pre-1990 models only.

198170A Designer Beige Adapter Kit (same as 129044A except Designer Beige color).

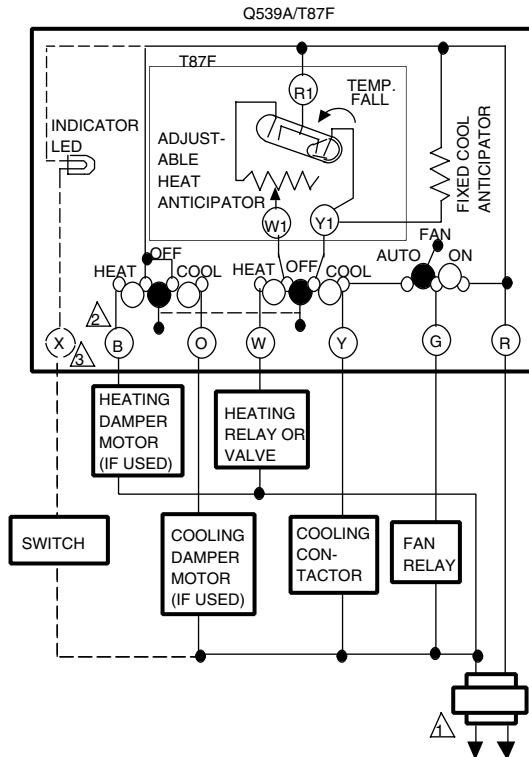
202687A Premier White Adapter Kit (same as 129044A except Premier White color). Includes 6 in. cover ring, adapter ring and screws for mounting T87F/Q539 on outlet box or to cover mounting marks from old thermostat.

For additional accessories, see Parts and Accessories at the end of this section.

Typical hookup and internal schematic for Q539/T87F in heating-cooling application using common power supply.



M310B



⚠ POWER SUPPLY. PROVIDE DISCONNECT MEANS AND OVERLOAD PROTECTION AS REQUIRED.

⚠ NO. 4 TERMINAL IS SAME AS B TERMINAL.

⚠ X TERMINAL USED ON Q539 MODELS WITH FACTORY-INSTALLED INDICATOR LED.

continued next page

Thermostats—Electromechanical Non-Programmable

Q539 continued

Terminal	Connection
R	Transformer.
R _H	Heating transformer with isolated heat-cool circuits.
R _C	Cooling transformer with isolated heat-cool circuits.
W	Heating relay or valve coil.
Y	Cooling contactor coil.
B(4)	Heating damper (if used). Circuit only completed between R and B with system switch in heat position; "4" terminal is the same as Honeywell "B" terminal.
O	Cooling damper (if used). Circuit only completed between R and O with system switch in cool position.
G	Fan relay coil.
X	Clogged filter or lockout switch. Available only on subbases with indicator light.
P	Heat pump contactor coil.
Z	Q539H—low voltage fan switch for control of fan relay in AUTO position for both heating and cooling control.

R₁, W₁ and Y₁ are not marked on thermostat subbase. They are mounting posts and electrical connections for the thermostat.

*TRADELINE models.

ORDER NUMBER	Switch Positions		Terminal Designations	Finish	Comments
	Fan	System			
*Q539A1014	ON-AUTO	COOL-OFF-HEAT	R,W,Y,B,G,O	Gold	For conventional single transformer heating-cooling systems. Replaces Q539C1020.
*Q539A1147			R _C ,W,Y,G,R _H		Independent heat-cool circuits.
Q539A1196			R,W,Y,G		Isolated fan circuit.
*Q539A1451			R,W,Y,G,R _H	Premier White	Independent heat-cool circuits. Same as Q539A1147, except Premier White.
*Q539A1469			R,W,Y,B,G,O		For conventional single transformer heating-cooling systems. Same as Q539A1014, except Premier White.
*Q539A4000			R _C ,W,Y,G,R _H	Designer Beige	Independent heat-cool circuits.
*Q539A4026			R,W,Y,B,G,O		For conventional single transformer heating-cooling systems.
Q539B1005	NONE	COOL-OFF-HEAT	R,W,Y,O,B	Gold	Internal system fan control.
*Q539C1020	ON-AUTO	COOL-OFF	R,Y,G,O		Use on cooling only systems.
Q539G1000		HEAT-OFF	R,W,B,G,1		For summer fan operation; without fan control.
Q539H1009		NONE	R,W,Y,G,Z		With extra terminal for low volt fan control in AUTO position.
Q539J1006	AUTO-ON	COOL-OFF-HEAT	R,W,Y,B,G,O,P		Automatic fan on both heating and cooling. For heat pump and electric heat.
Q539J1022					Automatic fan on both heating and cooling. For heat pump and electric heat. For use in W884 Comfort Center.
Q539J1154				Premier White	Automatic fan on both heating and cooling. For heat pump and electric heat. Same as Q539J1006, except Premier White.