

T451, T651 Motor-Rated Precision Thermostats

PRODUCT DATA



FEATURES

- Deluxe styling for commercial buildings.
- Industrial grade MICRO SWITCH™ mechanism rated 1/2 hp inductive, 5 kW resistive.
- Vertical mounting on 2" x 4" NEMA-standard single-gang outlet box.
- High-sensitivity, vapor-filled stainless steel dual diaphragm sensing element.
- Engineering plastic base to isolate sensor from switch heat and minimize droop.
- CSA Certified, UL Listed.
- Altitude compensation.
- 44°F (7°C) "frost protection" setting for heating application, independent of calibration or altitude.
- Color-coded leadwire connections.
- Range stops/locking cover security features for public areas.

APPLICATION

The T651 thermostat provides direct, accurate line voltage control of inductively-rated heating, ventilating, or cooling equipment used in commercial or industrial environments.

The T451 provides precision line voltage control of motor-rated electric, gas or oil heating equipment.

Contents

Specifications	2
Ordering Information	2
Installation	3
Setting and Adjustment	4



Important: The specifications given in this publication do not include normal manufacturing tolerances. Therefore this unit may not exactly match the listed specifications. This product is tested and calibrated under closely controlled conditions, and some minor differences in performance can be expected if these conditions are changed.

Models:

T451A SPST and T451B DPST (with positive off) for heating only.
T651A SPDT for heating/cooling.

Control Range:

44 - 86°F (7 - 28°C) for models T451A, T651A.
50 - 86°F (10 - 28°C) for model T451B.

Sensing Element: Vapor-filled dual diaphragm.

Differential: 2°F (1°C)

Droop: 2°F @ mid load range.

Barometer Sensitivity: 1/8°F/wc (0.3°C/kPa).

Thermometer: 50 - 90°F (10 - 30°C) in 10°F (5°C) increments.

Electrical Ratings:

50/60Hz	120 V	208V	240V	277V
Full Load	9.8A	5.6A	4.9A	4.2A
Locked Rotor	58.8A	33.6A	29.4A	25.2A
Pilot Duty	125 VA			
Resistive	22A Non Inductive		19ANI	
Heating Only	2.5kW	4.5kW	5kW	

Finish: Classic beige-and-light gold standard.
White models available.

Mounting:

Mounts directly on vertical, single-gang NEMA Standard (2" x 4") electrical box.

Wiring Connections:

6" (150 mm) leadwires suitable for connecting to aluminum conductors wiring if used with approved special service CO/ALR solderless wire connectors. Leadwires color-coded red for heating, blue for cooling, black for common.

Approvals:

Canadian Standards Association Certified; File No. LR1322
Performance Certified for electric heating per C273.4A.
UL file E47434.

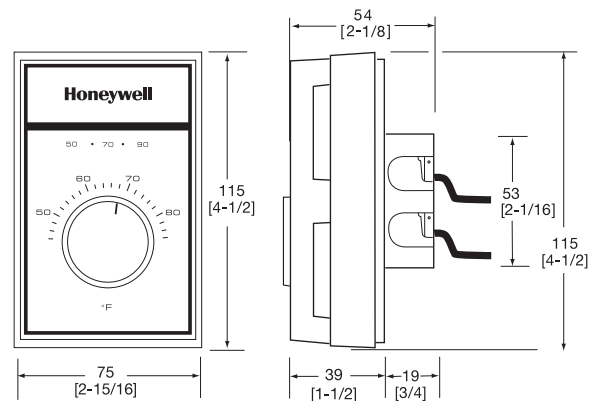
Accessories:

272804A Range stops and cover locking assembly (included in selected models only).

220213 Wallplate, covers old T451/T651 (1000 series) wall marks.

TG511 Thermostat guard for security and protection.

Fig. 1 — Dimensions of T451, T651 in inches (mm):



ORDERING INFORMATION

When purchasing replacement and modernization products from your TRADELINE® wholesaler or your distributor, refer to the TRADELINE catalog or price sheets for complete ordering number, or specify:

1. Model
2. Electrical load(s)
3. Accessories.

If you have additional questions, need further information, or would like to comment on our products or services, please write or phone:

1. Your local Honeywell Home and Building Control Sales Office (check white pages or phone directory).
2. Home and Building Control Customer Satisfaction
Honeywell Inc., 1885 Douglas Drive North.
Minneapolis, MN 55422 (612) 951-1000
3. In Canada—Honeywell Limited, 35 Dynamic Drive, Toronto, ON M1V 4Z9, 1-800-405-9835.

International Sales and Service Offices in all principal cities of the world. Manufacturing in Australia, Canada, Finland, France, Germany, Japan, Mexico, Netherlands, Spain, Taiwan, United Kingdom, U.S.A.