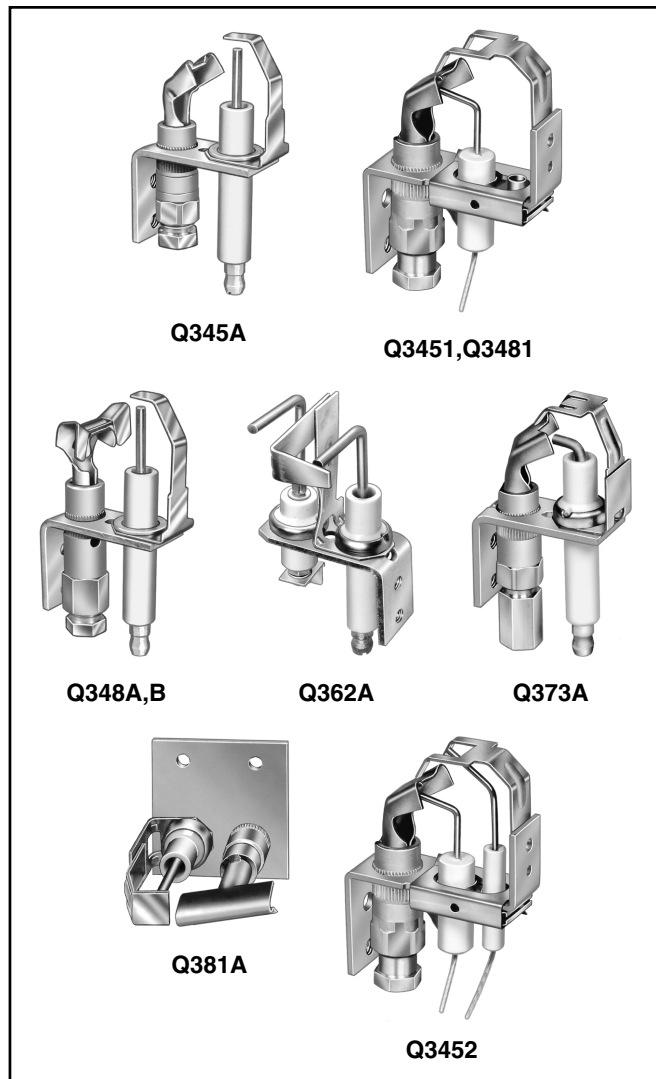


Q345A, Q3451, Q3481, Q348A, Q348B, Q362A, Q373A, Q381A and Q3452 Intermittent Pilot Burner/Igniter-Sensors

PRODUCT DATA



FEATURES

- Q345A, Q348A, Q348B and Q373A Intermittent Pilot Burner/Igniter-Sensors are compatible with all Honeywell intermittent ignition control modules.
- Q3451 and Q3481 Single-rod Pilot Burner/Igniter Sensors have an integral cable and bent rod that sparks to hood.
- Q362A Intermittent Pilot Burner/Igniter-Sensor is used with S86, S8610, S90, and S860 nonlockout and 90-second lockout modules.
- Q381A Intermittent Pilot Burner/Igniter-Sensor is used with S86 nonlockout and 90-second lockout modules.
- Q3452 Two-rod Pilot Burner/Igniter Sensor is used with S8600A,B,C; S8610A,B,C,U; S8620C; S8600J,K; and S8670J,K Two-rod Ignition Modules.
- Q362A is for energy efficient applications.
- Q381A is for horizontal mounting only.
- 15,000V open circuit spark ignition.
- Natural and LP gas orifices available.
- Variety of target styles available.
- Variety of mounting brackets available.

GENERAL

These Intermittent Pilot Burner/Igniter-Sensors consist of low output conventional target type pilot burners and either a combination spark igniter and flame sensor or a separate spark igniter and flame sensor (two rod) mounted in place of the thermocouple.

Contents

General	1
Features	1
Specifications	2
Ordering Information	2
Installation	14
Startup and Checkout	16
Operation	17
Service	17



SPECIFICATIONS

IMPORTANT

The specifications given in this publication do not include normal manufacturing tolerances. Therefore, this unit might not exactly match the listed specifications. Also, this product is tested and calibrated under closely controlled conditions, and some minor differences in performance can be expected when those conditions are changed.

TRADELINE® Models

TRADELINE® models are selected and packaged for ease of handling, ease of stocking, and maximum replacement value. TRADELINE® model specifications are the same as those of standard models, except as noted.

TRADELINE® Models Available:

Q345A, Q3451 and Q3481 Pilot Burner/Igniter-Sensors.

Additional Features:

Q345A, Q3451 and Q3481 Pilot Burner/Igniter-Sensors include a mounting bracket adapter for converting style B mounting brackets to style A mounting brackets.

Models:

Refer to Table 1.

Target Styles and Flame Patterns:

Refer to Fig. 12.

Mounting Brackets and Dimensions:

Refer to Fig. 1 through 10.

Style A Mounting Bracket Adapter Dimensions: Refer to Fig. 11.

Type of Gas:

Models available for Natural and LP gas.

ORDERING INFORMATION

When purchasing replacement and modernization products from your TRADELINE® wholesaler or your distributor, refer to the TRADELINE® Catalog or price sheets for complete ordering number, or specify:

1. Device number.
2. Tip style.
3. Mounting bracket style (number or letter).
4. Type of gas.
5. Target wingspan (Q348 only).
6. Raised or standard target (Q345 only).
7. Accessories, if required.

ORDERING EXAMPLE:

Device	Tip Style	Mounting Bracket Style	Type of Gas
Q345A	K	80R*	Natural

* R specifies a raised target.

Use this example to order a Q345AK80R-Natural Pilot Burner.

If you have additional questions, need further information, or would like to comment on our products or services, please write or phone:

1. Your local Honeywell Home and Building Control Sales Office (check white pages or phone directory).
2. Home and Building Control Customer Relations
Honeywell, 1885 Douglas Drive North
Minneapolis, Minnesota 55422

In Canada—Honeywell Limited, 35 Dynamic Drive, Scarborough, Ontario M1V 4Z9. International Sales and Service Offices in all principal cities of the world.

Table 1. Model Specifications.

Models	Type of Gas	Orifice Type	Target Style and Mounting Brackets	Accessories (Specify when ordering)
Q345A	Natural and LP	Insert	Refer to Fig. 1 and 2	Bleed tube clip compression fitting
Q3451	Natural and LP	Insert	Refer to Fig. 3	Bleed tube clip compression fitting
Q3481	Natural and LP	Insert	Refer to Fig. 4	Bleed tube clip compression fitting
Q373A	Natural and LP	Insert	Refer to Fig. 5	Bleed tube clip compression fitting
Q348A and Q348B	Natural and LP	Spud	Refer to Fig. 6 and 7	Bleed tube clip compression fitting
Q362A	Natural and LP	Insert	Refer to Fig. 8	Bleed tube clip compression fitting
Q381A	Natural and LP	Insert	Refer to Fig. 9	Bleed tube clip compression fitting
Q3452	Natural and LP	Insert	Refer to Fig. 10	N/A

Maximum Temperature Ratings:

Ignition Electrode Insulator: Most models: 1775°F (968°C);
 Q3452 only: 1250°F (677°C).
 Pilot Burner Target Tip: 1500°F (816°C).
 Insulator: 1250°F (677°C).
 Cable Temperature (for Q3451 model only): 484°F (250°C).
 Bracket: 1000°F (538°C).
 Orifice: 800°F (427°C).

Electrode/Flame Rod Material:

Kanthal.

Spark Gap (all models except Q3451, Q3452 and Q3481):

1/8 in. (3 mm)
 Q3451, Q3481: .080 in. to .140 in.
 Q3452: .070 to .130 in.

Wiring Connection:

Most models: Single 1/4 in. (6 mm) diameter base stud for ignition cable; Q3452 only: 1/4 in. (6 mm) quick connect for igniter rod, .187 in. quick connect for sensor rod.

Ignition Cable (All except Q3451, Q3481 and Q3452):

Refer to Table 2.

Table 2. Recommended Ignition Cables.

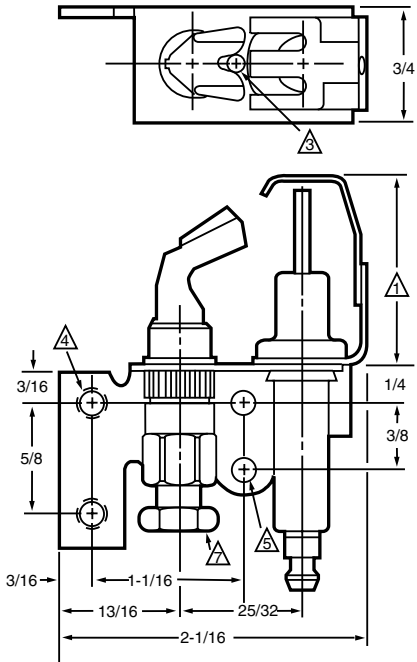
Cable Type	Vrms Rating	Temperature Rating	
		°F	°C
UL Style 3217	10,000	302	150
UL Style 3257	10,000	484	250

Approvals:

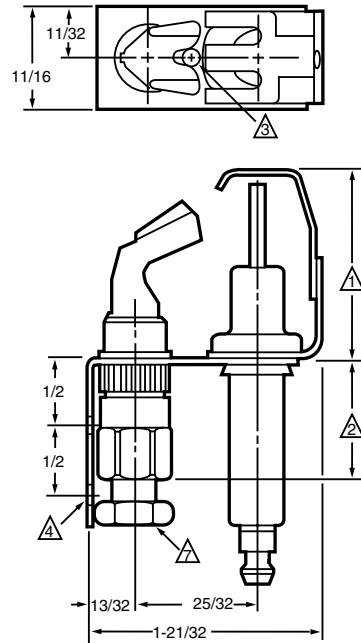
Underwriters Laboratories Inc. Listed: File no. MP9928, Guide no. MCUR2.
 Canadian Gas Association Certified: 1029-AB-8865 (1029-ABI-8354, Q381 only); 1029-ABI-8365A, Q3452 only).
 International Approval Services Certified: L2025001, except Q381A and Q3452.

Accessories:

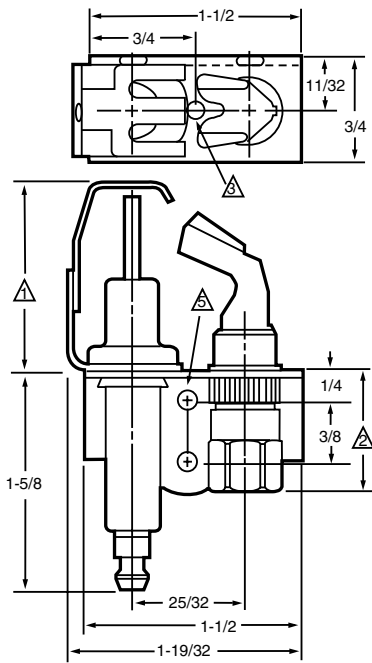
386449 Replacement 1/4 in. OD Compression Fitting.
 390711 1/8 in. Bleed Tube Fitting.
 204470DB Spark/Sensor Replacement for Q3452.



A



B

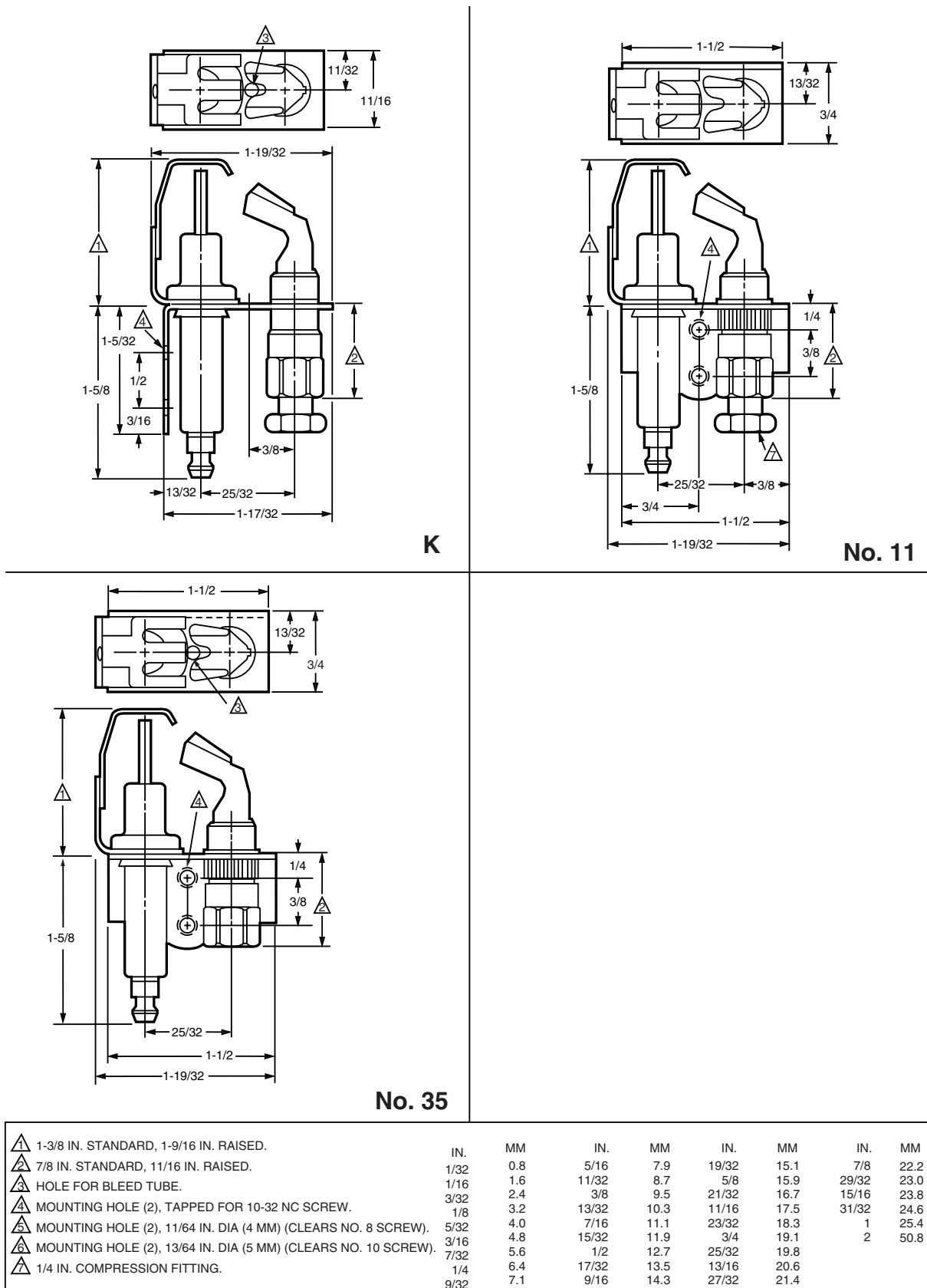


E

△	1-3/8 IN. STANDARD, 1-9/16 IN. RAISED.	IN.	MM	IN.	MM	IN.	MM	IN.	MM
△	7/8 IN. STANDARD, 11/16 IN. RAISED.	1/32	0.8	5/16	7.9	19/32	15.1	7/8	22.2
△	HOLE FOR BLEED TUBE.	1/16	1.6	11/32	8.7	5/8	15.9	29/32	23.0
△	MOUNTING HOLE (2), TAPPED FOR 10-32 NC SCREW.	3/32	2.4	3/8	9.5	21/32	16.7	15/16	23.8
△	MOUNTING HOLE (2), 11/64 IN. DIA (4 MM) (CLEARS NO. 8 SCREW).	1/8	3.2	13/32	10.3	11/16	17.5	31/32	24.6
△	MOUNTING HOLE (2), 13/64 IN. DIA (5 MM) (CLEARS NO. 10 SCREW).	5/32	4.0	7/16	11.1	23/32	18.3	1	25.4
△	MOUNTING HOLE (2), 13/64 IN. DIA (5 MM) (CLEARS NO. 10 SCREW).	3/16	4.8	15/32	11.9	3/4	19.1	2	50.8
△	1/4 IN. COMPRESSION FITTING.	7/32	5.6	1/2	12.7	25/32	19.8		
		1/4	6.4	17/32	13.5	13/16	20.6		
		9/32	7.1	9/16	14.3	27/32	21.4		

M401B

Fig. 1. A, B, and E mounting bracket dimensions in in. (mm) for Q345A.



M401B

Fig. 2. K, No. 11 and No. 35 mounting bracket dimensions in in. (mm) for Q345A.