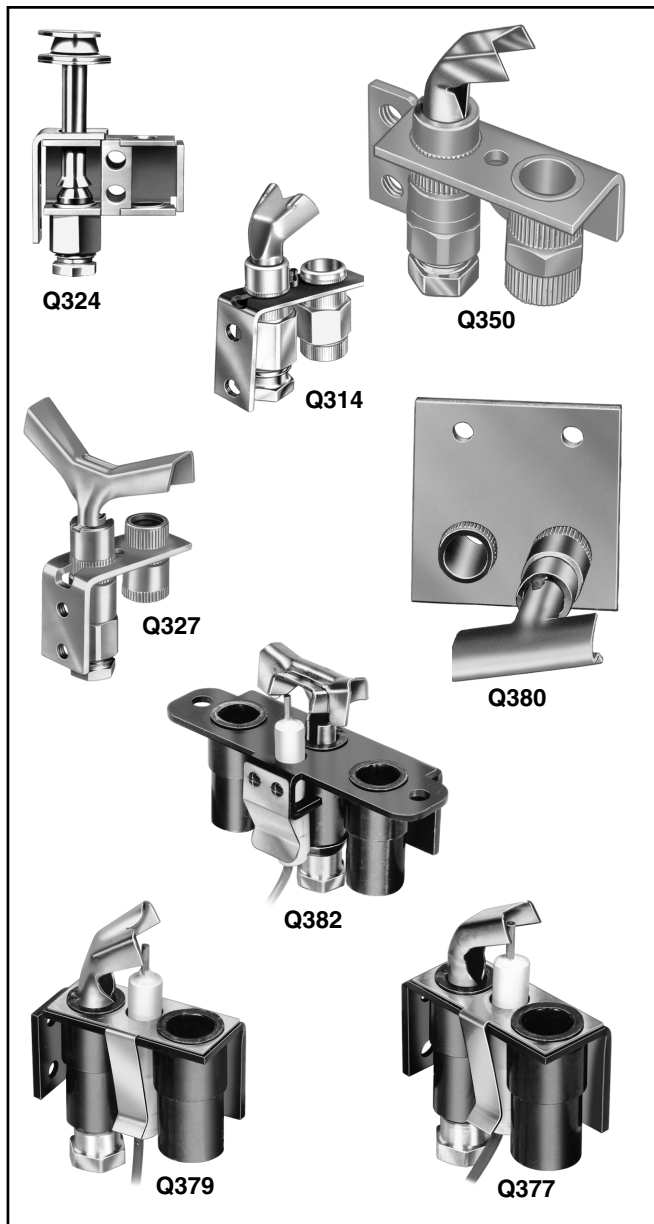


Q314, Q324, Q327, Q350, Q377, Q379, Q380 and Q382 Pilot Burners

PRODUCT DATA



FEATURES

- Q324 and Q327 are primary aerated, spud orifice pilot burners.
- Q314, Q350, Q377 and Q379 are non-primary aerated, insert orifice pilot burners. Q382 is primary aerated with an insert orifice.
- Variety of mounting brackets available.
- Variety of tip styles to provide desired flame pattern.
- Interchangeable, color-coded orifice and inlet fittings can be ordered to convert between natural and LP gas.
- Q350, Q377, and Q380 are energy efficient pilot burners.
- Q380 is for horizontal mounting only.
- Q377, Q379 and Q382 design makes them ideal for use with any millivolt standing pilot gas valves in fireplace and space heating applications.
- Electrode assembly available for Piezo ignition on Q377, Q379 and Q382.

APPLICATION

These pilot burners provide main burner ignition for natural and LP gas-fired equipment. Used with a 30 mV thermopile and/or thermocouple (depending on model) to provide automatic pilot safety control.

Contents

Application	1
Features	1
Ordering Information	2
Specifications	2
Installation	16
Startup and Checkout	20
Service	21



SPECIFICATIONS

IMPORTANT

The specifications given in this publication do not include normal manufacturing tolerances. Therefore, this unit may not exactly match the listed specifications. Also, this product is tested and calibrated under closely controlled conditions, and some minor differences in performance can be expected if those conditions are changed.

Tradeline® Models:

TRADELINER models are selected and packaged for ease of handling, ease of stocking, and maximum replacement value. TRADELINE model specifications are the same as those of standard models, except as noted.

Tradeline® Models Available:

- Q314A Pilot Burner
- Q327A Pilot Burner

Q314A Pilot Burner with natural and LP gas orifices, 1/4 in. compression fitting, "F", "K", or "L" tip style, "B" mounting bracket, and "A" mounting bracket adapter with screws.

Q327A Pilot Burner with natural and LP gas orifices and 1/4 in. compression fitting, and "B" mounting bracket with screws.

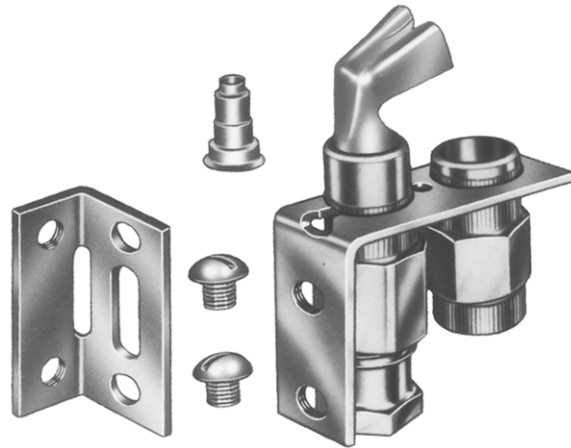


Fig. 1. Tradeline® pilot burner (Q314A shown).

Models:

Refer to Table 1.

Target and Tip Styles:

Refer to Fig. 2.

Mounting Brackets and Dimensions:

Refer to Table 2.

ORDERING INFORMATION

When purchasing replacement and modernization products from your TRADELINE® wholesaler or distributor, refer to the TRADELINE® Catalog or price sheets for complete ordering number, or specify—

1. Device number.
2. Tip style.
3. Mounting bracket style (number or letter)
4. Type of gas.
5. Target wingspan (Q327 and Q382 only).
6. Raised or standard target (Q314 and Q350 only).
7. Accessories, if required.

Ordering Example:

Device	Tip Style	Mounting Bracket Style*	Type of Gas
Q350A	F	66R	Natural

*"R" specifies a raised target.

Use this example to order a Q350AF66R Natural Pilot Burner.

If you have additional questions, need further information, or would like to comment on our products or services, please write or phone:

1. Your local Home and Building Control Sales Office (check white pages of your phone directory).
2. Home and Building Control Customer Logistics
Honeywell Inc., 1885 Douglas Drive North
Minneapolis, Minnesota 55422-4386

In Canada—Honeywell Limited/Honeywell Limitée, 35 Dynamic Drive, Scarborough, Ontario M1V 4Z9.

International Sales and Service Offices in all principal cities of the world. Manufacturing in Australia, Canada, Finland, France, Germany, Japan, Mexico, Netherlands, Spain, Taiwan, United Kingdom, U.S.A.

Table 1. Model Specifications.

Model	Primary Aerated	Type of Orifice	Pilot Tip Type	Recommended Thermocouple ^a	Recommended Thermopile ^a
Q314A	No	Insert	Target	Q309, Q340, Q390	Q313
Q324A	Yes	Spud	Multiport	Q309A	Q313
Q327A	Yes	Spud	Target	Q309A	Q313
Q350A	No	Insert	Target	Q309, Q340, Q390	None
Q377A,B	Yes	Insert	Target	None	Q313
Q379A,B	Yes	Insert	Target	None	Q313
Q380A	Yes	Insert	Target	Q309, Q340, Q390	None
Q382A,B	Yes	Insert	Target	Q335	Q313

^aSpecify lead length and model number when ordering.

Table 2. Mounting Brackets and Dimensions.

Model	Mounting Brackets	Refer To Figure:
Q314	A, B, E and K	Fig. 3
	No. 11, No. 34, No. 48 and No. 64	Fig. 4
Q324	B and D	Fig. 5
	No. 3 and No. 5	Fig. 6
Q327	A, B, D and K	Fig. 7
	No. 1 and No. 2	Fig. 8
Q350	A, B, H and K	Fig. 9
	P, No. 35, No. 54 and No. 66	Fig. 10
	No. 75	Fig. 11
Q377	A, B	Fig. 12
Q379	A, B	Fig. 13
Q380	No. 1	Fig. 14
Q382	A, B	Fig. 15

“A” Mounting Bracket Adapter Dimensions:

See Fig. 16.

Electrode Assembly for Ignition (Q377, Q379, Q382 only):

18 in. (457 mm) leadwire with 0.093 receptacle for Piezo igniter or 18 in. (457 mm) leadwire with 1/4 in. quick-connect.

Type of Gas:

Models available for natural and LP gas.

Btuh Flow (nominal for natural gas):

Q377: 500.
Q379: 1000.
Q382: 1250.

Maximum Temperature Ratings:

Target tip:
Q314, Q327, Q350, Q380: 1500°F (816°C).
Q324: 1350°F (732°C).
Q377, Q379, Q382: 1575°F (858°C).

Orifice:

Q324: 650°F (343°C).
Q314, Q327, Q350, Q380: 620°F (327°C).
Q377, Q379, Q382: 800°F (427°C).

Mounting Bracket: 1000°F (538°C).

Recommended Thermocouples:

Refer to Table 1.

Recommended Thermopiles:

Refer to Table 1.

Approvals:

International Approval Services: File no. L2025001.

Accessories (specify when ordering):

386449 Replacement 1/4 inch OD Compression Fitting.
390711 1/8 inch Bleed Tube Fitting.
Lint Screen (Q324).

Replacement Orifices:

See Table 3.

Table 3. Replacement Orifices.

Pilot Burner	Type of Gas	Orifice Stamping	Orifice Part Number
Q377	Natural	BBR12	390686-25
Q377	LP	BBR9	390686-15
Q379	Natural	BCR18	390686-4
Q379	LP	BBR12	390686-25
Q382	Natural	BCR20	390686-5
Q382	LP	BCR13	390686-34