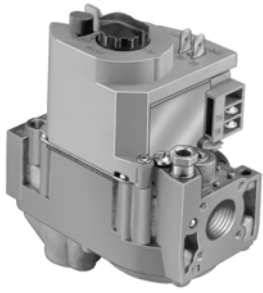
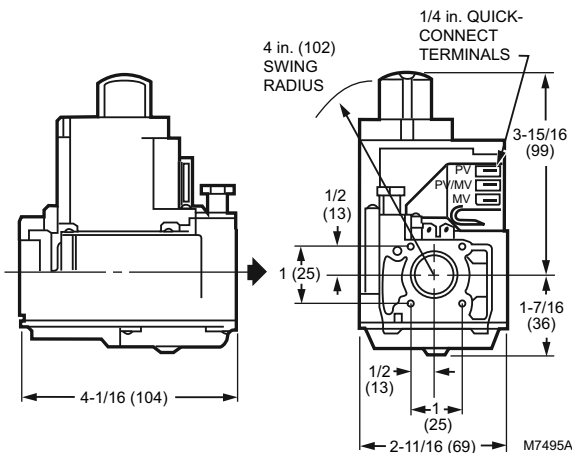


VR8200 Continuous Pilot Dual Automatic Valve Combination Gas Controls



Combination gas controls for use in 24 Vac, gas-fired, standing pilot appliances with capacities from 20 to 200 cfh. Dimensions in inches (millimeters)



- Controls include manual valve, two automatic operators, servo pressure regulator and pilot adjustment.
- Compact size.
- Provide two automatic valves.
- Solenoid-operated first automatic valve opens on thermostat call for heat; closes when call for heat ends.
- Diaphragm-operated second automatic valve opens under control of regulator; closes if gas or power supply is interrupted.
- Meet codes requiring dual safety shutoff.
- Standard and slow opening natural gas models include natural to LP gas conversion kit; LP to natural gas conversion kit also available.
- LITE-RITE (OFF-PILOT-ON) lighting sequence.
- All adjustments, wiring connections and pilot outlet are accessible from top of control.
- Adjustable servo regulator effectively maintains almost constant gas output pressure under wide fluctuations in gas supply pressure.
- Compatible with ECO connector.

Residential
Combustion Controls

Type: Single Stage
Dimensions, Approximate: 5 3/16 in high x 4 1/8 in. wide x 3 1/4 in. deep (132 mm high x 104 mm wide x 83 mm deep)
Body Pattern: Straight-through
Capacity @ 1 in. p.d. 130,000 BTU/hr; 20,000 BTU/hr minimum
Anticipator Setting: 0.5 A
Ignition Type: Standing Pilot
Pressure Ratings: 1/2 psi (3.5 kPa)
Pressure Tapping: 1/8 in. NPT with plug
Electrical Ratings: 24 Vac
Frequency: 60 Hz
Pilot Gas Outlet: Compression fitting for 1/4 in. OD tubing

Electrical Connections: Combination screw and 1/4 in. male quick connects.
Mounting: 0 to 90 degrees in any direction from the upright position of the gas control knob, including vertically.
Approvals:
American Gas Association: AGA Design Certificate: L2025006
Australian Gas Association: Australian Gas Assoc. Design Certificate: 4214; Approved for Delta C Applications
Canadian Gas Association: CGA Design Certificate: L2025006
Underwriters Laboratories Inc. UL Component Recognized: MH5323

Product Number	Type of Gas	Opening Characteristics (standard, step)	Inlet/Outlet Size (in.)	Pressure Regulator Setting		Ambient Temperature Range		Includes
				(psi)	(kPa)	(F)	(C)	
• VR8200A2124	Natural	Standard	1/2 in. x 1/2 in.	3.5 in. wc	0.87 kPa	0 F to 175 F	-18 C to +79 C	One 3/4 in. straight flange; One 1/2 in. x 3/8 in. reducer bushing; Q340 Thermocouple; Natural to LP Conversion Kit
* VR8200A2132	Natural	Standard	1/2 in. x 1/2 in.	3.5 in. wc	0.87 kPa	0 F to 175 F	-18 C to +79 C	One 3/4 in. straight flange; One 1/2 in. x 3/8 in. reducer bushing; Natural to LP Conversion Kit
* VR8200H1251	Natural	Slow Opening	1/2 in. x 1/2 in.	3.5 in. wc	0.87 kPa	0 F to 175 F	-18 C to +79 C	One 3/4 in. straight flange; One 1/2 in. x 3/8 in. reducer bushing; Natural to LP Conversion Kit

* TRADELINE models • SUPER TRADELINE models

Gas Valve Selection Guide

Gas Valve Selection Guide

Trade Replacements (Double-Check Specifications Before Replacement)		Specifications				Accessories (Includes)					
Universal Service Part	Direct Service Part Replacement	Opening Characteristics (standard, step)	Inlet/Outlet Size (in.)	Pressure Regulator Setting (psi)	Temperature Range	Q340 Thermocouple	3/4 in. x 1/2 in. Reducer Bushing	Natural to LP Conversion Kit	3/4 in. Straight Range	1/2 in. x 3/8 in. Reducer Bushing	Remote Rod Adapter
VR8300A4516	VR8300A4508	Standard	3/4 x 3/4	3.5 in. wc (0.87 kPa)	0 to 175 F (-18 to 79 C)	None	Two	One	None	None	None
	VR8300A3500	Standard	1/2 x 3/4	3.5 in. wc (0.87 kPa)	0 to 175 F (-18 to 79 C)	None	One	One	None	None	None
	VR8300A4516	Standard	3/4 x 3/4	3.5 in. wc (0.87 kPa)	0 to 175 F (-18 to 79 C)	One	Two	One	None	None	None
VR8245M2530	VR8204A2076	Standard	1/2 x 1/2	3.5 in. wc (0.87 kPa)	0 to 175 F (-18 to 79 C)	None	None	One	One	One	None
	VR8204M1091	Standard	1/2 x 1/2	3.5 in. wc (0.87 kPa)	-40 to 175 F (-40 to 79 C)	None	None	One	One	One	None
	VR8205A2024	Standard	1/2 x 1/2	3.5 in. wc (0.87 kPa)	0 to 175 F (-18 to 79 C)	None	None	One	One	One	None
	VR8245M2530	Standard	1/2 x 1/2	3.5 in. wc (0.87 kPa)	-40 to 175 F (-40 to 79 C)	None	None	One	None	One	None
VR8345H4555	VR8205H1003	Slow	1/2 x 1/2	3.5 in. wc (0.87 kPa)	0 to 175 F (-18 to 79 C)	None	None	None	None	None	None
	VR8304H4503	Slow	3/4 x 3/4	3.5 in. wc (0.87 kPa)	0 to 175 F (-18 to 79 C)	None	None	One	None	None	None
	VR8345H4555	Slow	3/4 x 3/4	3.5 in. wc (0.87 kPa)	0 to 175 F (-18 to 79 C)	None	Two	One	None	None	None
VR8345M4302	VR8304M3509	Standard	1/2 x 3/4	3.5 in. wc (0.87 kPa)	-40 to 175 F (-40 to 79 C)	None	One	One	None	None	None
	VR8304M4507	Standard	3/4 x 3/4	3.5 in. wc (0.87 kPa)	-40 to 175 F (-40 to 79 C)	None	Two	One	None	None	None
	VR8305M3506	Standard	1/2 x 3/4	3.5 in. wc (0.87 kPa)	-40 to 175 F (-40 to 79 C)	None	One	One	One	None	None
	VR8345M4302	Standard	3/4 x 3/4	3.5 in. wc (0.87 kPa)	-40 to 175 F (-40 to 79 C)	None	Two	One	None	None	None
VR8345Q4563	VR8205Q2555	2-Stage	1/2 x 1/2	1.7 in. wc Low Fire; 3.5 in. wc High Fire	-40 to 175 F (-40 to 79 C)	None	None	One	None	One	None
	VR8304Q4511	2-Stage	3/4 x 3/4	1.7 in. wc Low Fire; 3.5 in. wc High Fire	-40 to 175 F (-40 to 79 C)	None	Two	One	None	None	None
	VR305Q4500	2-Stage	3/4 x 3/4	1.7 in. wc Low Fire; 3.5 in. wc High Fire	-40 to 175 F (-40 to 79 C)	None	One	One	None	None	None
	VR8345Q4563	2-Stage	3/4 x 3/4	1.7 in. wc Low Fire; 3.5 in. wc High Fire	-40 to 175 F (-40 to 79 C)	None	Two	One	None	None	None
VR8200A2744	VR8200A2124	Standard	1/2 x 1/2	3.5 in. wc (0.87 kPa)	0 to 175 F (-18 to 79 C)	One	None	One	One	One	None
	VR8200A2132	Standard	1/2 x 1/2	3.5 in. wc (0.87 kPa)	0 to 175 F (-18 to 79 C)	None	None	One	One	One	None
	VR8200A2744	Standard	1/2 x 1/2	3.5 in. wc (0.87 kPa)	0 to 175 F (-18 to 79 C)	None	None	One	One + One Elbow	One	None
VS820A1088	VS820A1054	Standard	3/4 x 3/4	3.5 in. wc (0.87 kPa)	32 to 175 F (0 to 79 C)	None	Two	None	None	One	None
	VS820A1336	Standard	3/4 s 3/4	10.0 in. wc (2.49 kPa)	32 to 175 F (0 to 79 C)	None	Two	None	None	One	None
	VS820A1088	Standard	3/4 x 3/4	3.5 in. wc (0.87 kPa)	32 to 175 F (0 to 79 C)	None	Two	One	None	One	Yes

Notes:

All piloted valves have a 1/4 in. compression fitting.
 All the VR valves come set for natural gas, but can be converted to LP gas.
 The VS820A1054 is for natural gas. The VS820A1336 is for LP gas.
 All the VR valves have inlet and outlet pressure taps. The VS820 valves have just an outlet pressure tap