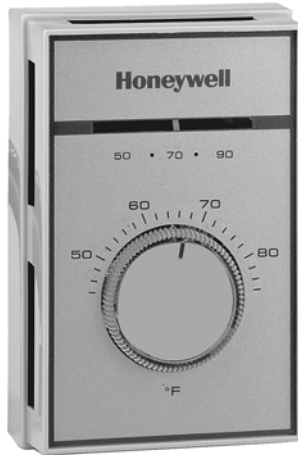


Line Voltage Thermostats

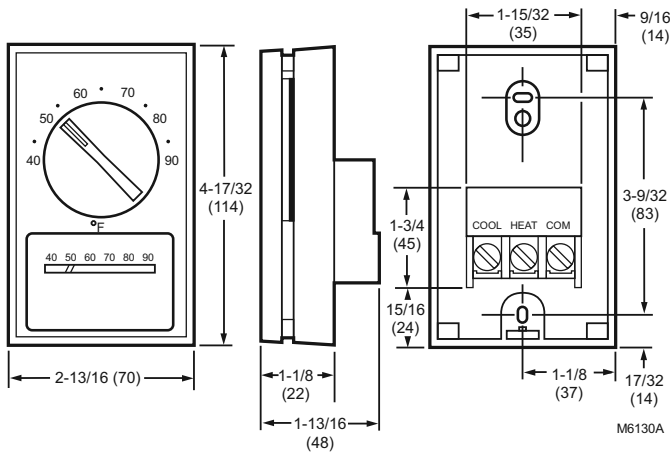
T451;T651 Medium Duty Line Voltage Thermostat



Light Duty Line Voltage Thermostats control line voltage valves, motors, contractors, electric heat, elements, duct furnaces, and fan coil units in heating/cooling systems.

- Automatic cooling and heating anticipation.
- Mount on standard vertical or horizontal outlet box.

Dimensions in inches (millimeters)



Dimensions, Approximate: 4 1/2 in. high x 2 15/16 in. wide x 1 1/2 in. deep (switches and wiring terminals protrude into outlet box 3/4 in.) (115 mm high x 75 mm wide x 39 mm deep (switches and wiring terminals protrude into outlet box 19 mm))

Electrical Ratings:

- 9.8 FLA / 58.8 ALR @ 120 Vac
- 5.6 FLA / 33.6 ALR @ 208 Vac
- 4.9 FLA / 29.4 ALR @ 240 Vac
- 4.2 FLA / 25.2 ALR @ 277 Vac
- 22 A @ 120 - 240 Vac Resistive
- 19 A @ 277 Vac Resistive.

Electrical Connections: Flylead

Voltage: 120 Vac - 227 Vac

Frequency: 50/60 Hz

Sensor Element: Vapor filled dual diaphragm

Color: Champagne gold face-plate with beige cover

Approvals:

Canadian Standards Association: CSA Certified, File No. LR1322

Underwriters Laboratories Inc. Listed: File No. E47434, Guide No. XAPX.

Product Number	Application	Setting Temperature Range		Differential Temperature		Switch Position	Switching Action	Includes
		(F)	(C)	(F)	(C)	System		
T451A3005	Heating	44 F to 86 F	—	2 F	—	—	SPST- breaks on temperature rise	Vertical scaleplate with thermometer, range stops and locking cover screws, high accuracy Dual Diaphragm sensor
T451B3004	Heating	50 F to 86 F	—	2 F	—	—	SPST- breaks on temperature rise; with positive off	Vertical scaleplate with thermometer and high accuracy dual diaphragm sensor
• T651A3018	Heating and cooling	44 F to 86 F	—	2 F	—	heating and cooling	SPDT - breaks heating and makes cooling on temperature rise	Vertical scaleplate with thermometer, horizontal scaleplate with no thermometer, range stops and locking screws, wall plate, and high accuracy Dual Diaphragm sensor
T651A3026	Heating and cooling Celsius	—	7 C to 28 C	—	1 C	heating and cooling	SPDT - breaks heating and makes cooling on temperature rise	Vertical scaleplate with thermometer, range stops and locking screws, wall plate, high accuracy Dual Diaphragm sensor.

* TRADELINE models • SUPER TRADELINE models