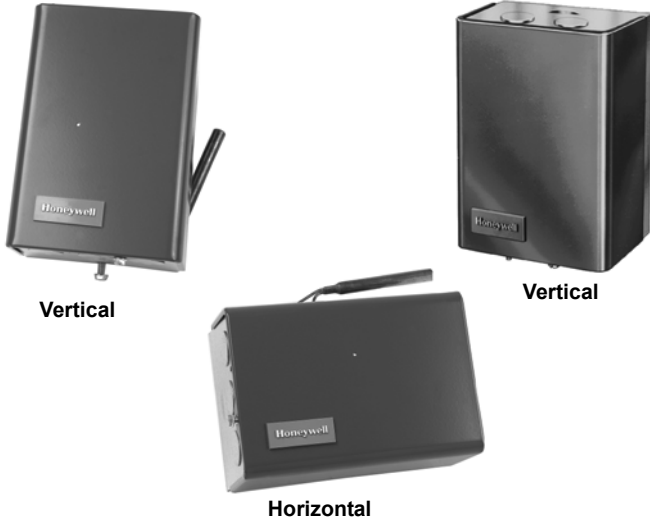


Single and Multi-Function Aquastat Controllers

L8124 Triple Aquastat® Relay

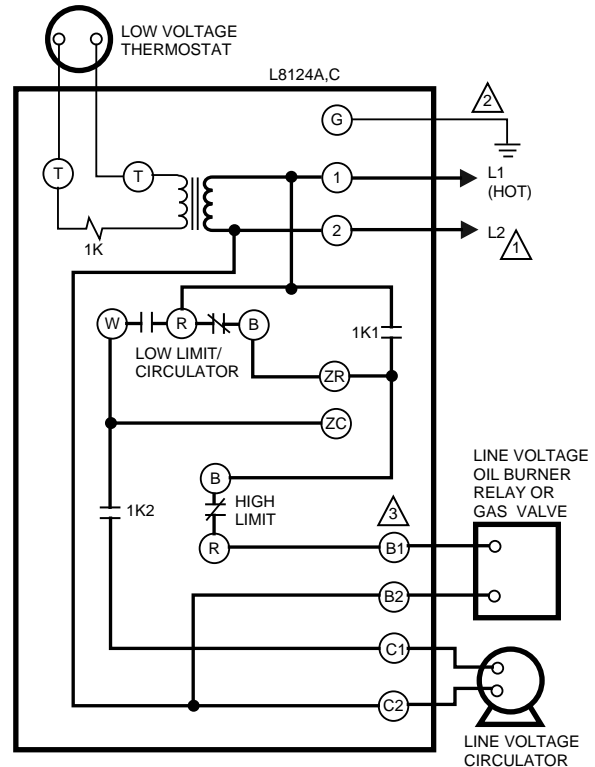
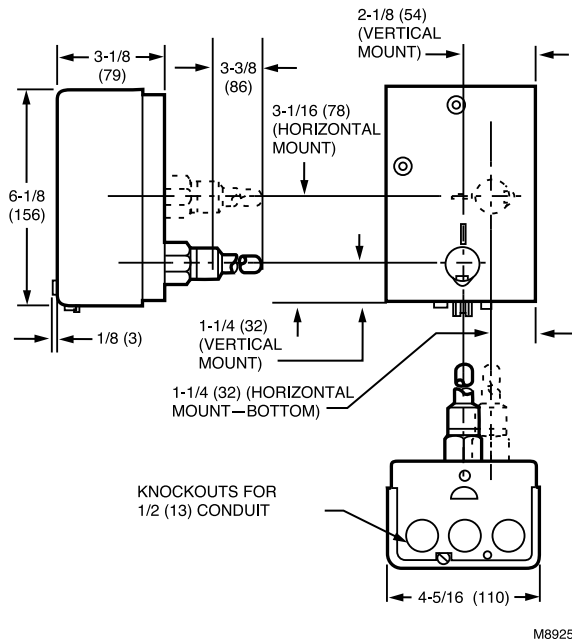


Immersion-type controllers that combine high limit protection with low limit and circulator control in forced hydronic heating systems, including domestic hot water service.

- Immersion-type controllers that combine high limit protection with low limit and circulator control in forced hydronic heating systems.
- Provide multizone control by using a separate circulator and R845 Relay for each zone.
- Include diaphragm powerhead and Micro Switch® assembly that respond to temperature changes in boiler water.
- Mount directly to boiler.
- Select models include large transformers and extra terminals for supplying power to low voltage zone valves.
- Require 24 Vac thermostat with heat anticipator set at 0.2 A (plus current draw of gas valve on L8124E).
- TRADELINE models include tube of heat conductive compound and range stops.

Residential
Combustion Controls

Dimensions in inches (millimeters)



△ 1 POWER SUPPLY. PROVIDE DISCONNECT MEANS AND OVERLOAD PROTECTION AS REQUIRED.

△ 2 CONTROL CASE MUST BE CONNECTED TO EARTH GROUND. USE GROUNDING SCREW PROVIDED.

△ 3 B1 IS 1/4 IN. TAB TERMINAL.

M8802

Single and Multi-Function Aquastat Controllers

Dimensions, Approximate: 6 1/8 in. high x 4 3/8 in. wide x 3 1/16 in. deep (156 mm high x 111 mm wide x 78 mm deep)

Voltage: 120 Vac

Maximum Ambient Temperature: 150 F at switches, 265 F at sensing element (66 C at switches, 129 C at sensing element.)

Operating Range, High Limit: 130 F to 240 F adj. (54 C to 116 C adj.)

Operating Range, Low Limit: 110 F to 220 F adj. (43 C to 104 C adj.)

Maximum Operating Pressure: 200 psi on outside of immersion well, 100 psi on capsule if inserted directly. (1378 kPa on outside of immersion well, 690 kPa on capsule if inserted directly.)

Operating Humidity Range (% RH): 0 to 95% RH, non-condensing

Approvals:

Canadian Standards Association: Certified: File No. LR1620, Guide No. 400-E-O

Underwriters Laboratories Inc. UL Listed (models with well): File No. MP466, Guide No. MBPR; UL Component Recognized (models without well): File No. MP466, Guide No. MBPR2

Product Number	Electrical Ratings			
	(burner AFL)	(burner ALR)	(circulator AFL)	(circulator ALR)
L8124A, C, G, L	Line Voltage: 7.4 A @ 120 Vac; 3.7 A @ 240 Vac	Line Voltage: 44.4 A @ 120 Vac; 22.7 A @ 240 Vac	3.7 A @ 240 Vac; 7.4 A @ 120 Vac	22.2 A @ 240 Vac; 44.4 A @ 120 Vac
L8124B*	Line Voltage: 7.4 A @ 120 Vac; 3.7 A @ 240 Vac	Line Voltage: 44.4 A @ 120 Vac; 22.7 A @ 240 Vac	3.7 A @ 240 Vac; 7.4 A @ 120 Vac	22.2 A @ 240 Vac; 44.4 A @ 120 Vac
L8124E**	Line Voltage: 7.4 A @ 120 Vac; 3.7 A @ 240 Vac	Line Voltage: 44.4 A @ 120 Vac; 22.7 A @ 240 Vac	3.7 A @ 240 Vac; 7.4 A @ 120 Vac	22.2 A @ 240 Vac; 44.4 A @ 120 Vac

*L8124B's burner rating is 0.25A @ 1/4 to 12 VCD. **L8124E's burner rating is 1.25A @ 24 Vac; 30 VA total load (B1-B2, TV-Z).

Product Number	Application	Differential Temperature	Insulation Depth		Mounting	Includes
		(F)	(inch)	(mm)		
L8124A1007	High Limit Protection, Low Limit and Circulation Control	High limit: 10 F fixed; low limit: 10-25 F adj.	1 1/2 in.	38 mm	Vertical	3 in. insertion well
L8124A1015	High Limit Protection, Low Limit and Circulation Control	High limit: 10 F fixed; low limit: 10-25 F adj.	3 in.	76 mm	Vertical	3 in. insertion well and ground screw.
* L8124B1039	Triple Aquastat Relay with High limit	High limit: 10 F fixed; low limit: 10-25 F adj.		—	Vertical	—
L8124C1003	Triple Aquastat Relay with High limit	High limit: 10 F fixed; low limit: 10-25 F adj.		—	Horizontal	—
L8124C1102	High Limit Protection, Low Limit and Circulation Control	High limit: 10 F fixed; low limit: 10-25 F adj.	1 1/2 in. to 3 in. less well.	38 mm to 76 mm less well	Horizontal	—
* L8124E1016	Triple Aquastat Relay with High limit	High limit: 10 F fixed; low limit: 10-25 F adj.		—	Vertical	—
L8124G1020	Triple Aquastat Relay with High limit	High limit: 10 F fixed; low limit: 10-25 F adj.		—	Vertical	—
L8124L1011	Triple Aquastat Relay with High limit	High limit: 10 F fixed; low limit: 10-25 F adj.		—	Horizontal	—

* TRADELINE models • SUPER TRADELINE models

Residential
Combustion Controls