

Fan and Limit Controllers

L4064 Fan and Limit Controllers



For control of high limit and fan motor in all types of forced air heating systems.

- Three wiring terminal options available for easy installation:
 - Push-in receptacles for stripped wire.
 - Female receptacles for 1/4 in. male flag connectors.
 - Field add-on screw terminals.
- Controls adapt to many competitive mounting holes in replacement applications.
- Available in a variety of fan and high limit setting ranges.
- L4064B,W models have manual fan switch that overrides fan control to keep fan running continuously.
- SUPER TRADELINE models with mounting adapters for easy installation and strain relief bushings to protect wiring from field abuse.

Application: Forced warm air heating systems

Dimensions, Approximate: 4 5/16 in. high x 3 in. wide x 1 19/32 in. deep excluding element.

(109 mm high x 76 mm wide x 40 mm deep excluding element)

Operating Temperature Range: -40 F to +190 F
(-40 C to +88 C)

Maximum Ambient Temperature: Switch: 190F; Sensing Element:
350 F (Switch: 88 C; Sensing Element: 177 C)

Differential Temperature: High limit 25 F
(High limit 14 C)

High Limit Temperature Range: 100 F to 250 F
(38 C to 121 C)

Electrical Ratings Fan: 7A @ 240 Vac; 14A @ 120 Vac (Full Load), 42A @ 240 Vac; 84A @ 120 Vac (Locked Rotor)

Electrical Rating Limit: 8A @ 120 Vac; 4A @ 240 Vac (Full Load); 48A @ 120 Vac; 24A @ 240 Vac (Locked Rotor)

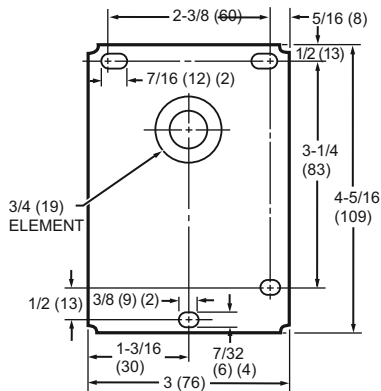
Pilot Duty: 2A @ 24 Vac; 0.25A @ 0.25 to 12 Vdc

Approvals:

Canadian Standards Association: Certified: File No. LR1622

Underwriters Laboratories Inc. Listed File MP466, Guide MBPR

Dimensions in inches (millimeters)



NOTE: OVERALL DEPTH WITH FAN SWITCH IS 2 INCHES (51MM);
MODELS LESS FAN SWITCH ARE 1-5/8 INCHES (41MM).

M23227

Fan and Limit Controllers

	Product Number	Element Insertion Length		Fan-off Range		Fan-on Range		Fan-off Stop	Fan-on Stop	High Limit Stop	Timing	Switching Action	Mounting	Description	Comments
		(inch)	(mm)	(F)	(C)	(F)	(C)								
•	L4064B1451	11 1/2 in.	292 mm	50 F to 200 F	10 C to 93 C	65 F to 215 F	18 C to 102 C	100 F	125 F	200 F	—	Fan switch makes and high limit switch breaks on temperature rise.	Rigid bracket	Fan and Limit Controller with 125 F fan on and 100 F fan off stops, 200 F high limit stop and 11 1/2 in. insertion	Turns fan on and off according to plenum temperature. With helical bimetal sensing element. High limit stop set at 200F (93 C). With manual fan switch. Deluxe cover. Replaces L4064A,B,E.
•	L4064B1469	5 in.	127 mm	50 F to 200 F	10 C to 93 C	65 F to 215 F	18 C to 102 C	100 F	125 F	200 F	—	Fan switch makes and high limit switch breaks on temperature rise.	Rigid bracket	Fan and Limit Controller with 125 F fan on and 100 F fan off stops, 200 F high limit stop and 5 in. insertion	Turns fan on and off according to plenum temperature. With helical bimetal sensing element. High limit stop set at 200F (93 C). With manual fan switch. Deluxe cover. Replaces L4064A,B,E.
*	L4064B2210	11 1/2 in.	292 mm	50 F to 200 F	10 C to 93 C	65 F to 215 F	18 C to 102 C	100 F	125 F	200 F	—	Fan switch makes and high limit switch breaks on temperature rise.	Surface	Fan and Limit Controller with 125 F fan on and 100 F fan off stops, 200 F high limit stop and 11 1/2 in. insertion	Turns fan on and off according to plenum temperature. With helical bimetal sensing element. High limit stop set at 200F (93 C). With manual fan switch. Small case and cover. Replaces L4064A,B,E.
*	L4064B2228	5 in.	127 mm	50 F to 200 F	10 C to 93 C	65 F to 215 F	18 C to 102 C	100 F	125 F	200 F	—	Fan switch makes and high limit switch breaks on temperature rise.	Surface	Fan and Limit Controller with 125 F fan on and 100 F fan off stops, 200 F high limit stop and 5 in. insertion	Turns fan on and off according to plenum temperature. With helical bimetal sensing element. High limit stop set at 200F (93 C). With manual fan switch. Small case and cover. Replaces L4064A,B,E.
*	L4064B2236	8 in.	203 mm	50 F to 200 F	10 C to 93 C	65 F to 215 F	18 C to 102 C	100 F	125 F	200 F	—	Fan switch makes and high limit switch breaks on temperature rise.	Surface	Fan and Limit Controller with 125 F fan on and 100 F fan off stops, 200 F high limit stop and 8 in. insertion	Turns fan on and off according to plenum temperature. With helical bimetal sensing element. High limit stop set at 200F (93 C). With manual fan switch. Small case and cover. Replaces L4064A,B,E.

* TRADELINE models • SUPER TRADELINE models