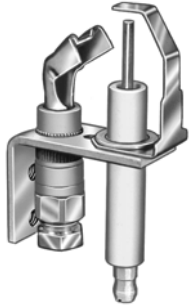


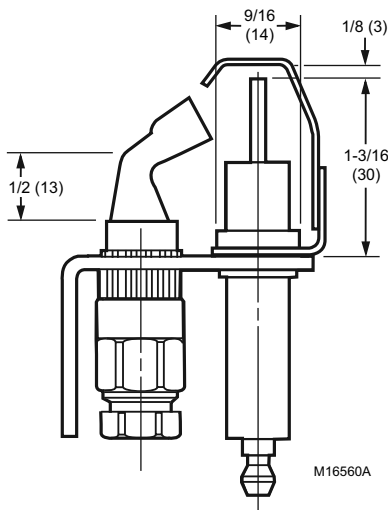
# Pilot Burners

## Q345 Igniter-Burner



- Nonprimary-aerated combination pilot burner and ignitor. Used with the S86, S860, S8610, or S8670 in intermittent pilot systems.**
- Includes pilot burner with bracket, ceramic-insulated Kanthal flame rod/spark igniter and ground strap.
  - Single tip style.

Dimensions in inches (millimeters)



**Type of Gas:** Natural

**Leadwire Temperature Ratings:** (Max. at electrode tip: 968 C)

**Accessories:**

**390686-1** LP Orifice for Q314, Q345, Q3450, Q3451, Q3452 Pilot Burners. Orifice stamped: BBR10

	Product Number	Compression Fitting Length	Compression Fitting Size	Mounting Bracket	Direction of Front Tip	Orifice	Includes
*	Q345A1305	0.78 in.	1/4 in.	B	(F) Front	BCR-18 (0.018 in.)	Special mounting bracket with screws to convert "B" bracket to "A" bracket.
*	Q345A1313	0.78 in.	1/4 in.	B	(L) Left	BCR-18 (0.018 in.)	Special mounting bracket with screws to convert "B" bracket to "A" bracket.
*	Q345A1321	0.78 in.	1/4 in.	B	(K) Right	BCR-18 (0.018 in.)	Special mounting bracket with screws to convert "B" bracket to "A" bracket.
* TRADELINE models • SUPER TRADELINE models							