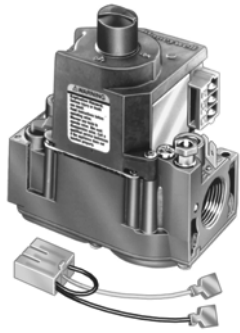


Combination Gas Controls

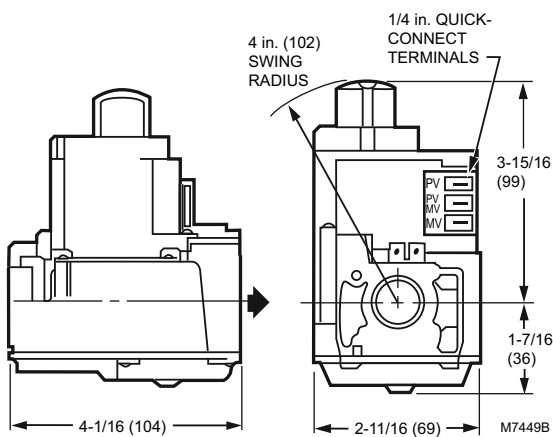
VR8345 Universal Electronic Ignition Combination Gas Control



Universal electronic ignition combination gas control for use with direct spark ignition, hot surface ignition or intermittent pilot ignition in 24 Vac, gas-fired appliances, with capacities from 30 to 415 cfh.

- Control includes manual valve, two automatic operators, pressure regulator, pilot adjustment, pilot plug and ignition adapter.
- Replaces virtually any IP, HSI, or DSI gas control.
- For use with natural or manufactured gas or LP gas.
- Includes converter kit to adapt from natural to LP gas.
- Compact size.
- All adjustments and wiring connections accessible from top of control.
- Four-inch swing radius allows easy rotation into position inside the tightest furnace vestibules.
- Clearly marked, keyed terminal block allows quick attachment of wires and IP/DSI/HSI jumper.
- Internal inlet screen blocks contaminants in gas line from entering valve.

Dimensions in inches (millimeters)



Type: Single Stage

Dimensions, Approximate: 5 3/8 in. high x 4 1/16 in. wide x 2 11/16 in. deep (135 mm high x 104 mm wide x 69 mm deep)

Body Pattern: Straight-through

Capacity @ 1 in. p.d. 300,000 BTU/hr; 30,000 BTU/hr minimum

Ignition Type: Direct Ignition Intermittent Pilot

Pressure Ratings: 1/2 psi (3.5 kPa)

Pressure Tapping: 1/8 in. NPT with plug

Electrical Ratings: 24 Vac

Frequency: 60 Hz

Electrical Connections: 1/4 in. quick-connect male terminals

Mounting: 0 to 90 degrees in any direction from the upright position of the gas control knob, including vertically.

Approvals:

American Gas Association: AGA Design Certified: File No. L2025007.

Canadian Gas Association: CGA Design Certified: File No. L2025007.

Underwriters Laboratories Inc. UL Component Recognized.

Product Number	Type of Gas	Opening Characteristics (standard, step)	Inlet/Outlet Size (in.)	Pressure Regulator Setting		Ambient Temperature Range		Includes
				(psi)	(kPa)	(F)	(C)	
• VR8345H4555	Natural	Slow Opening	3/4 in. x 3/4 in.	3.5 in. wc	0.87 kPa	-40 F to +175 F	-40 C to +79 C	Natural to LP Conversion Kit; Two 3/4 x 1/2 in. reducer bushings
VR8345M4302	Natural	Standard	3/4 in. x 3/4 in.	3.5 in. wc	0.87 kPa	-40 F to +175 F	-40 C to +79 C	Natural to LP Conversion Kit; Two 3/4 x 1/2 in. reducer bushings
VR8345M4336	Natural	Standard	3/4 in. x 3/4 in.	3.5 in. wc	0.87 kPa	-40 F to +175 F	-40 C to +79 C	Natural to LP Conversion Kit; Two 3/4 x 1/2 in. reducer bushings
• VR8345Q4563	Natural	Standard	3/4 in. x 3/4 in.	1.7 in. wc low; 3.5 in. wc high	0.48 kPa low; 0.87 kPa high	-40 F to +175 F	-40 C to +79 C	Natural to LP Conversion Kit; Two 3/4 x 1/2 in. reducer bushings

* TRADELINE models • SUPER TRADELINE models