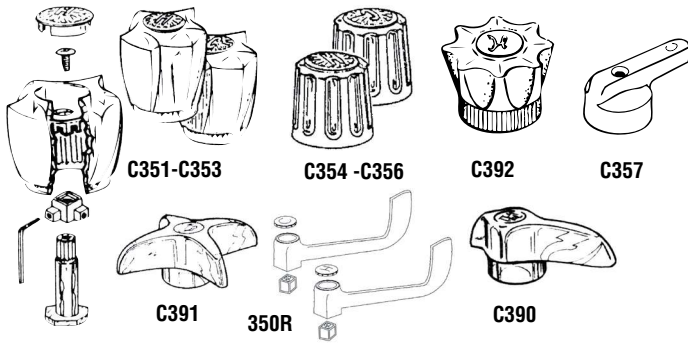


UNIVERSAL HANDLES

ASSORTED STYLES



ITEM#	STYLE	FITS	Put-Up	PACK
# C351	Acrylic	SMALL - Hot / Cold	Pr/Card	pk. 3
# C352	Acrylic	LARGE - Hot / Cold	Pr/Card	pk. 3
# C353	Acrylic	DIV.	Ea/Card	pk. 3
# C351A	Acrylic	SMALL - Hot/Cold/Div	EA/Card	pk. 3/72
# C352A	Acrylic	LARGE - Hot/Cold/Div	EA/Card	pk. 3/72
# C354	Chrome	SMALL - Hot / Cold	Pr/Card	pk. 3
# C355	Chrome	LARGE - Hot / Cold	Pr/Card	pk. 3
# C356	Chrome	DIV.	Ea/Card	pk. 3
# C390	Chrome	LEVER - Hot / Cold	Pr/Card	pk. 3
# C391	Chrome	CROSS - Hot / Cold	Pr/Card	pk. 3
# C392	Acrylic	H/C w/REMOVE SKIRT	Pr/Card	pk. 3
# 350R	Chrome	BLADE-STYLE	Pr/Bagged	pk. 3
# C357	Chrome	CANOPY LEVER - H/C	Pr/Card	pk. 3

HANDLE PULLERS

FAUCET HANDLE PULLER



C1104 Carded pk. 4/36

LARGE HANDLE PULLER

• 2 Stage Handle Puller for Narrow and Wide Faucet Handles



1104B Bulk pk. 1/25

DELUXE HANDLE PULLER

• Removes All Canopy Lever Handles Quickly & Easily without Scratching
• Counter-Weight to Pull Hard-to-Remove Handles



1104A Bulk pk. 1/25

INDEX BUTTONS

INDEX BUTTONS FOR PRICE-PFISTER®*

• 15/16" Diameter



379 HOT Bulk pk. 10

381 DIV. Bulk pk. 10

380 COLD Bulk pk. 10

INDEX BUTTONS

INDEX BUTTONS FOR GERBER®*

• 1" Diameter

5110 HOT Bulk pk. 10

5112 DIV. Bulk pk. 10

5111 COLD Bulk pk. 10



INDEX BUTTONS FOR SAYCO®*

• 1-1/4" Diameter

305 HOT Bulk pk. 10

307 DIV. Bulk pk. 10

306 COLD Bulk pk. 10



INDEX BUTTON FOR DELTA/DELEX®*
OLD-STYLE BUTTON

• 1 1/2" Diameter

5140 Bulk pk. 5/25



INDEX BUTTONS FOR MOEN®* TEAR DROP BUTTON

• 2" X 1.5"

5144 Bulk pk. 5/25



STEM PACKING & LUBE

24" MAKE-A-WASHER PLASTIC PACKING

• Teflon Style
• 3/32" Thick

1699 Graphite Bulk pk. 100

C1699 Graphite Carded pk. 10/200



GRAPHITE VALVE STEM PACKING

• String Coated w/ Graphite
• Re-Closeable Pop-Out Spool
• Individual Spools
• Non-Asbestos

8063020 1/4" Thick 8' Spool pk. 1/10

8063010 1/8" Thick 10.5' Spool pk. 1/10



PLUMBERS GREASE

• Will Not Attack Rubber or Plastic
• For Lubricating Seals, Threads or Any Moving Parts
• Non-Toxic

1881 1 oz. Can pk. 6/24

1881R 1 oz. Tube pk. 1/12



1881

1881R

FAUCET TOOLS

FAUCET HANDLE PULLER

- Removes Canopy Lever Handles Quickly & Easily Without Scratching



C1104 Carded pk. 4/36

LARGE HANDLE PULLER

- 2 Stage Handle Puller for Narrow and Wide Faucet Handles



1104B Bulk pk. 1/25

DELUXE HANDLE PULLER

- Removes All Canopy Lever Handles Quickly & Easily Without Scratching
- Counter-Weight to Pull Hard-to-Remove Handles



1104A Bulk pk. 1/25

6PC. SOCKET WRENCH SET

- Permits Easy Access to Recessed Valve Stem
- Eliminates Chipped Tile Around Valve Stem Opening



C1102 Carded pk. 4/24

1102 Boxed pk. 5/20

INDIVIDUAL SOCKETS

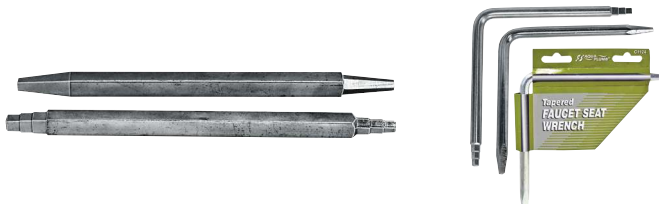
# 8338110	21/32" x 27/32"	Bulk	pk. 5/25
# 8338120	Fits Gerber*		
# 8338130	29/32" x 31/32"	Bulk	pk. 5/25
# 8338130	1-1/32" x 1-3/32"	Bulk	pk. 5/25
# 8338140	1-5/32" x 1-9/32"	Bulk	pk. 5/25
# 8338150	1-11/32" x 1-7/16"	Bulk	pk. 5/25



FAUCET / SHOWER VALVE SEAT WRENCHES

- Made of Hardened Steel for Easy Removing & Installing of Renewable Seats.
- Square on One End, Hex on Other to Fit Any Seat

# 1121	Stepped Straight	Bulk	pk. 10/100
# 1123A	Tapered Straight	Bulk	pk. 10/100
# 1125	Stepped 6" x 6" Angle	Bulk	pk. 10/100
# 1124	Tapered 6" x 6" Angle	Bulk	pk. 10/100
# C1124	Tapered 6" x 6" Angle	Carded	pk. 4/72



RATCHETING SEAT REMOVAL WRENCH SET

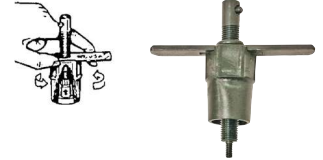
- 4 Pieces - Ratcheting Tool & 3 Wrenches
- Hardened Steel
- Ind. Plastic Case



C1108 Carded pk. 4/36

CARTRIDGE PULLER FOR MOEN*

- Pulls All Cartridges (Both Brass & Plastic)
- Will Pull Both Stem & Barrel



C1122 Carded pk. 3/36

FAUCET RESEATER KIT

- Re-Finishes Top of Faucet Seats to Cure Dripping Faucets



1114 Standard Kit Bulk pk. 6/72

O-RING PULLER

- Used to Remove O-Rings and Other Washers



1130P Bulk pk. 5/25

DELUXE O-RING AND WASHER PICK

- Heavy Hex Shape Body
- 2 Different Hooks for Different Styles of Rings and Washers



97878 Bulk pk. 5/00

BASIN WRENCHES

- For Use on Basin & Toilet Nuts, Ballcocks, etc.
- Made of Drop Forged Steel with Hardened Teeth
- May be Opened Either to the Right or to the Left
- Spring Loaded, Reversible Jaws
- Fits 3/8" - 1-1/4" Nuts

C1715 11" Long Carded pk. 4/32

1715B 15" Long Bulk pk. 1/20



ADJUSTABLE LENGTH WRENCHES

- Telescopic Shaft Adjusts from 10" to 17"
- Standard Fits 3/8" - 1-1/4" Nuts
- Large Fits 1-1/4" - 2-1/2" Nuts

C1715A Standard Carded pk. 4/24



LARGE JAW ADJUSTABLE LENGTH BASIN WRENCH

- Large Jaw Works on Nuts from 1-1/4" through 2-1/2" (Standard Smaller Jaw Will Cover 3/8" through 1-1/4")
- Telescopic Shaft Adjusts from 10" to 17" Overall Length
- Cast Iron Jaws with Spring Action

1715C Large Head Bulk pk. 1/25



*Brand Names mentioned in this catalog reference OEM Manufacturers. Please do not confuse AQUA PLUMB® with the OEM Mfg. whose parts these are intended to replace.

PLUMBING TOOLS

FAUCET HANDLE PULLER

- Removes Canopy Lever Handles Quickly & Easily without Scratching



C1104 Carded pk. 4/36

6PC. SOCKET WRENCH SET

- Permits Easy Access to Recessed Valve Stem
- Eliminates Chipped Tile around Valve Stem Opening



C1102 Carded pk. 4/24

FAUCET/SHOWER VALVE SEAT WRENCHES

- Made of Hardened Steel for Easy Removing & Installing of Renewable Seats



Square On One End, Hex on Other to Fit Any Seat

C1124 Tapered Carded pk. 4/72

RATCHETING SEAT REMOVAL WRENCH SET

- 4 Pieces - Ratcheting Tool & 3 Wrenches
- Hardened Steel
- Ind. Plastic Case



C1108 Carded pk. 4/36

BASIN WRENCHES

- For Use On Basin & Toilet Nuts, Ballcocks, etc.
- Made of Drop Forged Steel with Hardened Teeth
- May Be Opened Either to the Right or to the Left
- Spring Loaded, Reversible Jaws



C1715 11" Long Carded pk. 4/32

PLUMBING TOOLS (continued)

ADJUSTABLE LENGTH WRENCHES

- Telescopic Shaft Adjusts from 10" to 17"



C1715A Carded pk. 4/24

DUMBBELL STYLE STRAINER WRENCH

- Cast Aluminum
- Fits Virtually Every Strainer
- Hex Body to Fit Wrench
- Hole for Inserting Screwdriver for Additional Leverage



C1101 Carded pk. 4/24

STRAINER WRENCH

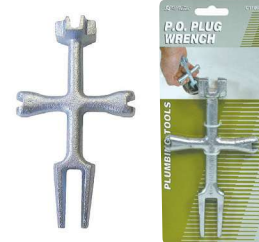
- For Installation/Removal of All Tub & Sink Drains
- Plated Steel



C1127 Carded pk. 4/48

4-WAY PO PLUG WRENCH

- Malleable Iron



C1106A Carded pk. 4/72

MINI TUBING AND PIPING CUTTERS

- Cuts 1/8" to 7/8" OD Tubing



C1111 Carded pk. 6/72

STANDARD TUBING AND PIPING CUTTERS

- Cuts 1/8" to 1-1/8" OD Tubing



C1107 Carded pk. 3/12

FLARING TOOL

- Flares Copper or Aluminum Tubing
- 7-Holes, Flares 1/8" Through 5/8" Tubing



C1147 Carded pk. 6/24